

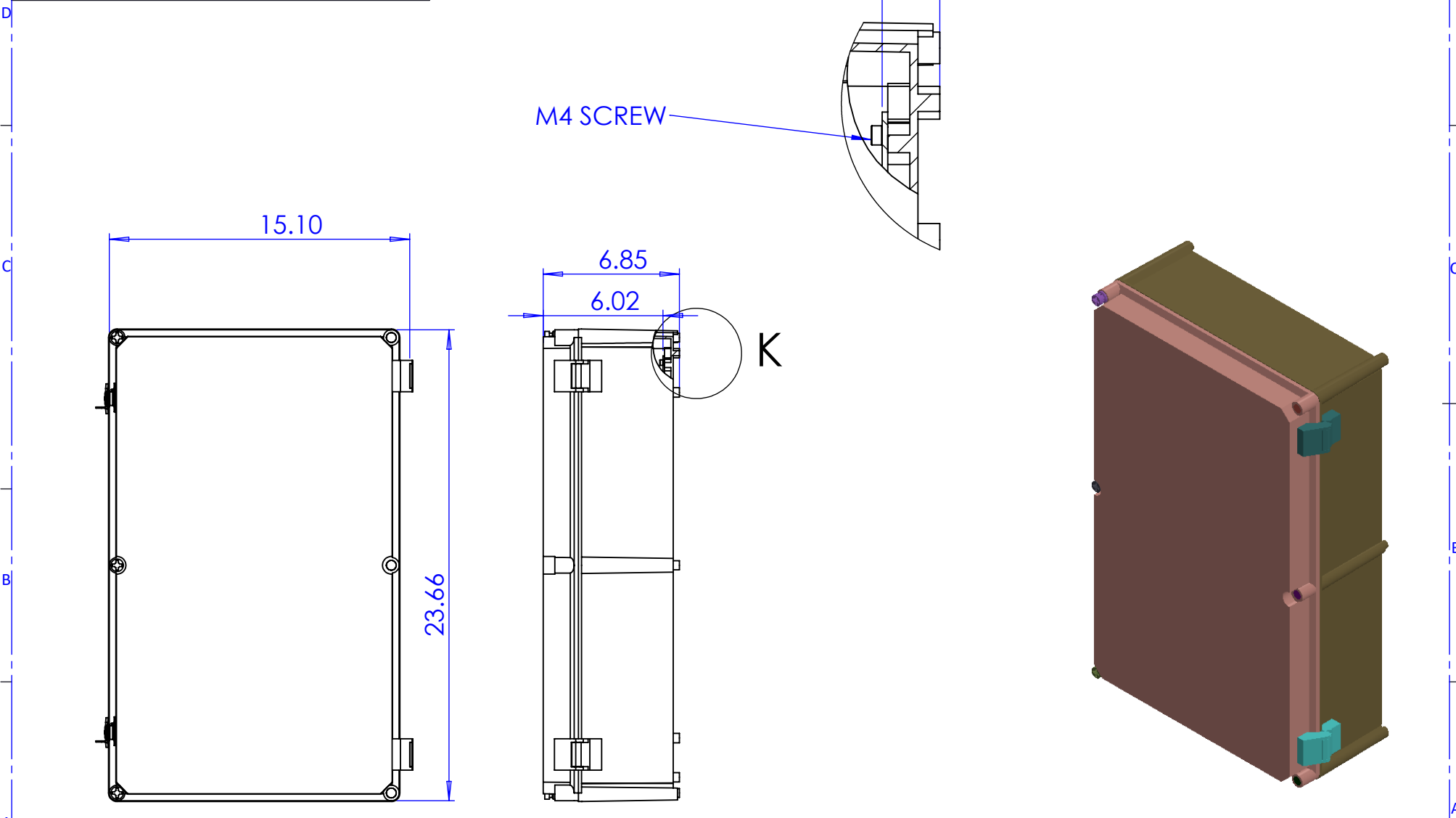
6 5 4 3 2 1

CUSTOMER APPROVAL

SIGN: _____ DATE: _____

PRINT NAME: _____

REVISIONS							
ZONE	REV	DESCRIPTION	DATE	ENC	BY	CKD	APVD
-	-	-	-	-	-	-	-



<p>THIS DRAWING USES THIRD ANGLE PROJECTION</p>	<p>UNLESS OTHERWISE SPECIFIED:</p> <p>DIMENSIONS ARE IN INCHES</p> <p>TOLERANCES:</p> <table border="0"> <tr> <td>DECIMALS:</td> <td>ANGLES:</td> </tr> <tr> <td>.X ± 0.03</td> <td>± 1°</td> </tr> <tr> <td>.XX ± 0.02</td> <td><u>HOLE Ø</u></td> </tr> <tr> <td>.XXX ± 0.01</td> <td>± 0.01</td> </tr> </table> <p>REMOVE ALL BURRS BREAK ALL SHARP EDGES (MAX .005) (DIMENSIONS IN PARENTHESES ARE SHOWN FOR REFERENCE)</p>	DECIMALS:	ANGLES:	.X ± 0.03	± 1°	.XX ± 0.02	<u>HOLE Ø</u>	.XXX ± 0.01	± 0.01	SIGNATURE	DATE	<p>VYNCKIER ENCLOSURE SYSTEMS INC.</p>
		DECIMALS:	ANGLES:									
.X ± 0.03	± 1°											
.XX ± 0.02	<u>HOLE Ø</u>											
.XXX ± 0.01	± 0.01											
FINISH	NONE	<p>MODIFIED ENCLOSURE VYNCKIER PART# A11-2414HPL2 CUSTOMER DWG#</p>										
		SCALE: 1:1	<p>SHEET: 1 OF 1</p>									