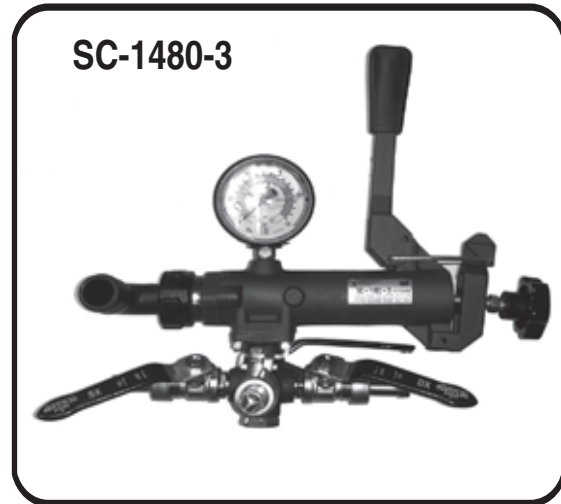


**SC-1066-2 – SC-1132-2 – SC-1240-3
SC-1241-2 – SC-1480-3 – SC-1580-1**

**PRESSURE REGULATORS PARTS
& INSTRUCTION MANUAL**



JOHN BLUE COMPANY

DIVISION OF ADVANCED SYSTEMS TECHNOLOGY, INC.

165 Electronics Blvd., Huntsville, Alabama 35824

Telephone: (256) 721-9090 • FAX (256) 721-9091 • Toll Free: 1-800-253-2583

www.johnblue.com

SAFETY PRECAUTIONS

- Equipment should be operated only by trained, responsible people!
- A careful operator is the best insurance against an accident.
- Fill system with WATER first and check output.
- Check all valves, fittings, hose clamps, etc. for tightness and soundness before admitting fluid to system.
- Replace hoses when worn, cracked or if leaking.

BE CAREFUL! REMEMBER, SAFETY IS NO ACCIDENT

TO THE OWNER	
This manual has been prepared and illustrated to assist you in the maintenance of your JOHN BLUE PUMP.	
Enter your serial number and date of purchase in the space provided below for future reference in service information or for ordering parts.	
Because our engineering department is constantly improving products, we reserve the right to make design and specification changes without notice.	
<input type="text"/>	<input type="text"/>
Serial No.	Purchase Date

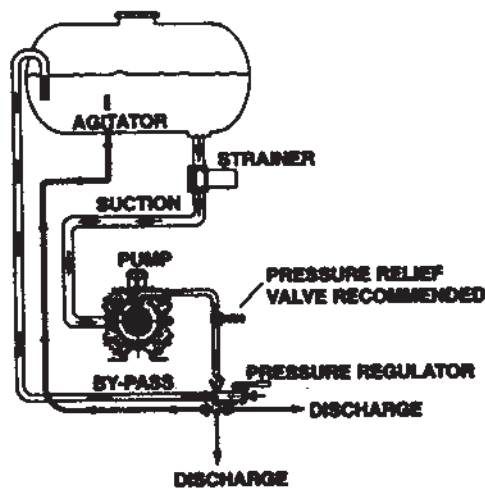
WARNING: Use of this product for any purposes other than it's original intent, abuse of the product, and/or modification to the original product is strictly prohibited by John Blue Company. John Blue Company reserves the right to deny warranty or liability claims in any/all situations involving misuse, abuse or modification.

WARNING: This product can expose you to certain chemicals, which are known to the State of California to cause cancer or birth defects or other reproductive harm. For more information go to: www.P65Warnings.ca.gov.

INSTALLATION AND GENERAL SAFETY INFORMATION

- 1) When in the area of spray pump and/or control, always wear eye protection and protective clothing.
- 2) Use of a pressure relief valve on the discharge side of the pump is required to prevent damage from pressure build up.
- 3) Always consult the label of any solution or additive to be pumped before operating the system.
- 4) Inspect all hoses for wear and weak areas before each use.

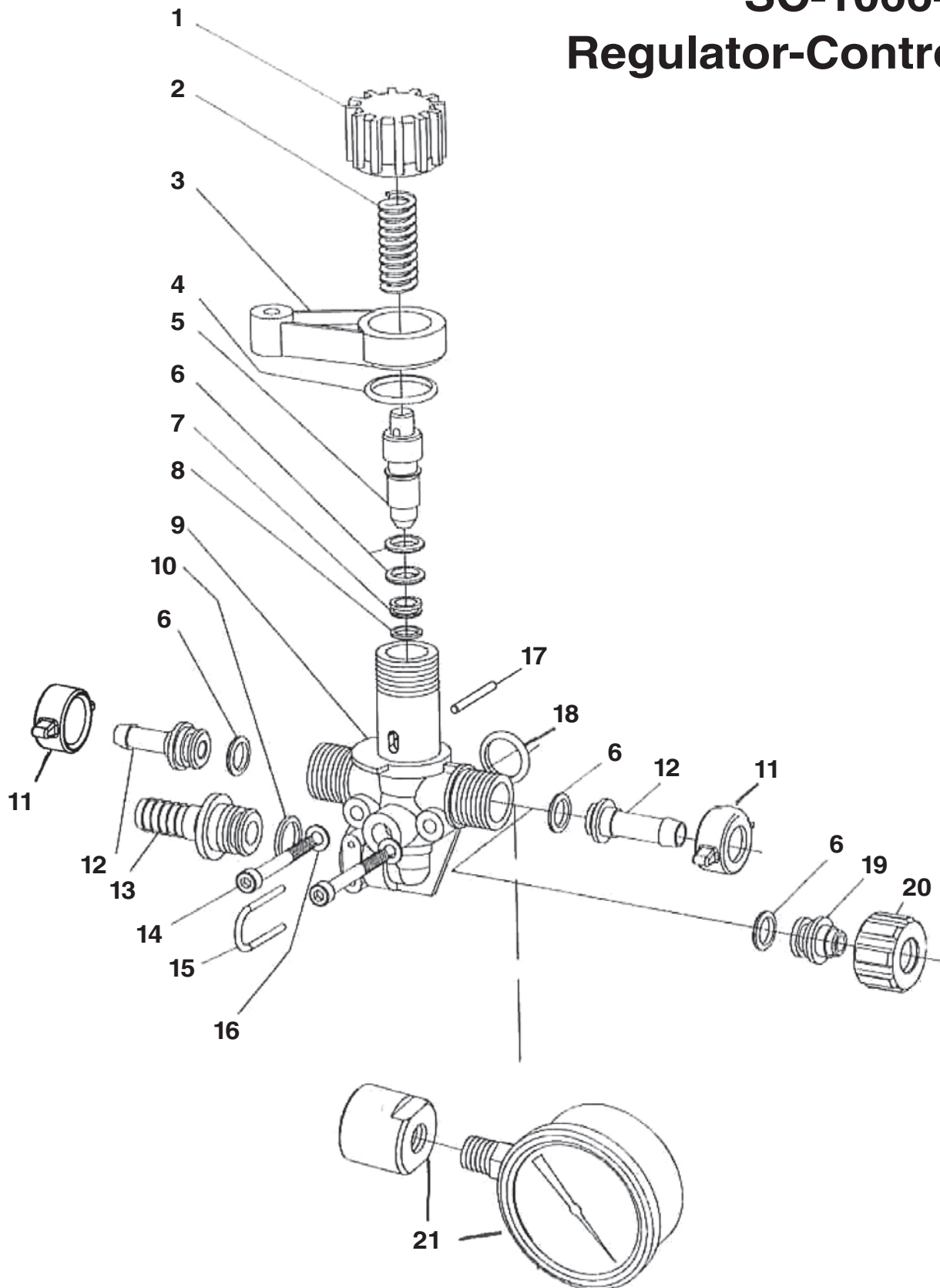
TYPICAL INSTALLATION DIAGRAMS



OPERATION INSTRUCTIONS

- 1) Before starting unit, turn the valve lever counter-clockwise to the dump position (by-pass flow). **FAILURE TO FOLLOW THIS WILL VOID THE WARRANTY ON THE PUMP.**
- 2) Turn the adjustment knob counter-clockwise to reduce pressure to "0" psi. In the initial start-up this is absolutely recommended. It is not necessary in the daily operations.
- 3) When valve is in the by-pass line, start the unit and let it run for at least 2 minutes or until oil is displaced in the cylinder and air is evacuated from the circuit.
- 4) Turn the valve lever clockwise to pressure position, close the spray gun or the spray boom, turn the adjustment knob clockwise until the operating pressure is achieved, open the spray gun or spray boom, and start spraying.

SC-1066-2 Regulator-Control

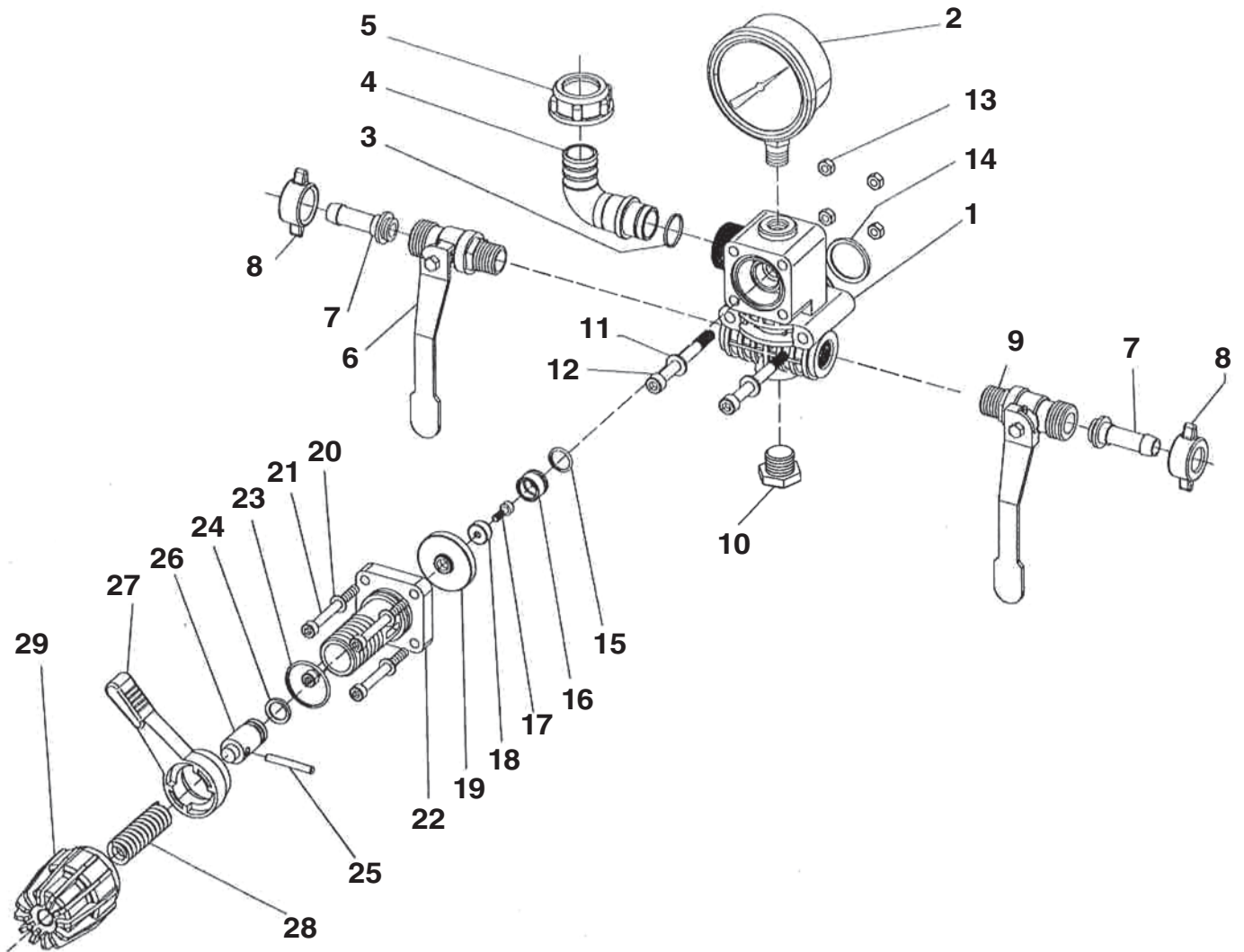


REGULATOR CONTROL MODEL SC-1066-2 PARTS LIST

❖ Valve Kit Order SC-94988997

ITEM	PART NUMBER	DESCRIPTION	QTY.
1	SC-94020332	KNOB	1
2	SC-94007348	SPRING	1
3	SC-94020232	LEVER	1
4	SC-80319900	O-RING	1
5	SC-94020432	VALVE	1
❖ 6	SC-80317500	O-RING	4
7	SC-05006851	SEAT D.8	1
❖ 8	SC-80305600	O-RING	1
9	SC-94020032	PRESSURE REGULATOR BODY	1
10	DP-80321350	O-RING	1
11	SC-82001000	CAP NUT	2
12	SC-84154400	STRAIGHT CONNECTOR	2
13	SC-84155100	STRAIGHT CONNECTOR D.13	1
❖ 13	SC-80317800	O-RING	1
14	SC-86194390	SCREW M5X45	2
15	SC-94020649	U-BOLT	1
16	SC-84354200	WASHER 5M	1
17	SC-85104500	PARALLEL PIN D. 3X30	1
❖ 18	SC-80321700	O-RING	1
19	SC-94020132	PRESSURE REGULATOR PLUG	1
20	SC-82001500	CAP NUT	1
21	SC-94984997	PRESSURE REGULATOR KIT	1

SC-1132-2 Regulator-Control

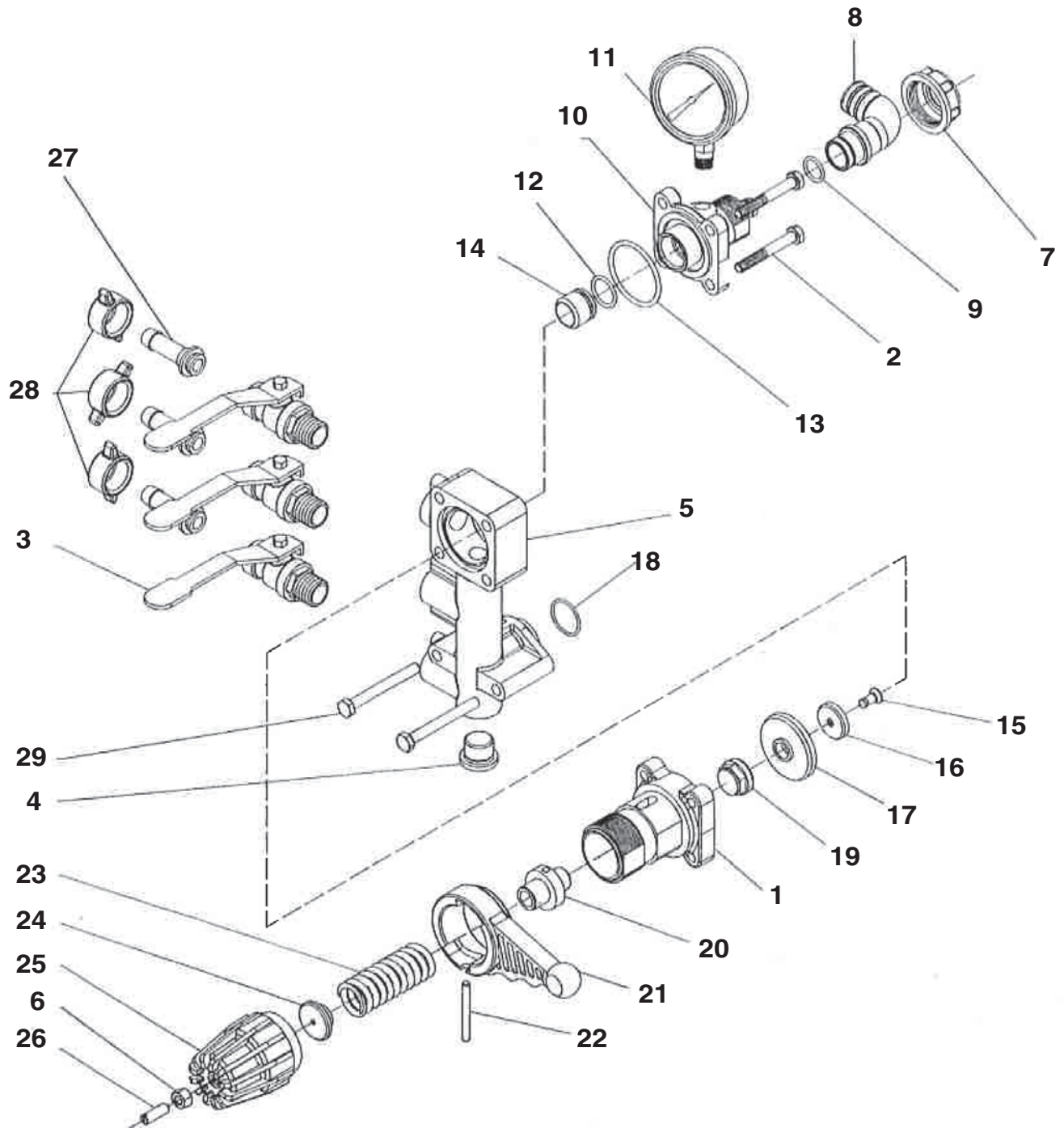


REGULATOR CONTROL MODEL SC-1132-2 PARTS LIST

❖ Valve Kit Order SC-25996397

ITEM	PART NUMBER	DESCRIPTION	QTY.
1	SC-24031032	VALVE HOUSING	1
2	SC-83001013	PRESSURE GAUGE	1
3	SC-80306000	O-RING	1
4	SC-84052100	90 DEGREE ELBOW CONN	1
5	SC-82004210	WING NUT	1
6	DP-84554410	LEFT TAP	1
7	SC-84154400	HOSE BARB	2
8	DP-82001000	WING NUT	2
9	DP-84554400	RIGHT TAP	1
10	DP-85257953	CAP	1
11	DP-84358500	WASHER	2
12	SC-86242600	SCREW	2
13	SC-81452500	NUT	4
❖ 14	DP-80321800	O-RING	1
❖ 15	SC-80305900	O-RING	1
❖ 16	SC-24032051	VALVE SEAT	1
17	SC-86184150	SCREW	1
❖ 18	SC-24031951	POPPET	1
❖ 19	SC-24031336	HPS DIAPHRAGM	1
20	DP-84353900	WASHER	4
21	SC-86194420	SCREW	4
22	SC-24031132	FLANGE	1
❖ 23	SC-80307500	O-RING	1
❖ 24	SC-80317500	O-RING	1
25	SC-85114800	PIN	1
26	SC-24031453	GUIDING PISTON	1
27	SC-24031232	LEVER	1
28	SC-24031648	SPRING	1
29	SC-24032132	KNOB	1

SC-1240-3 Regulator-Control

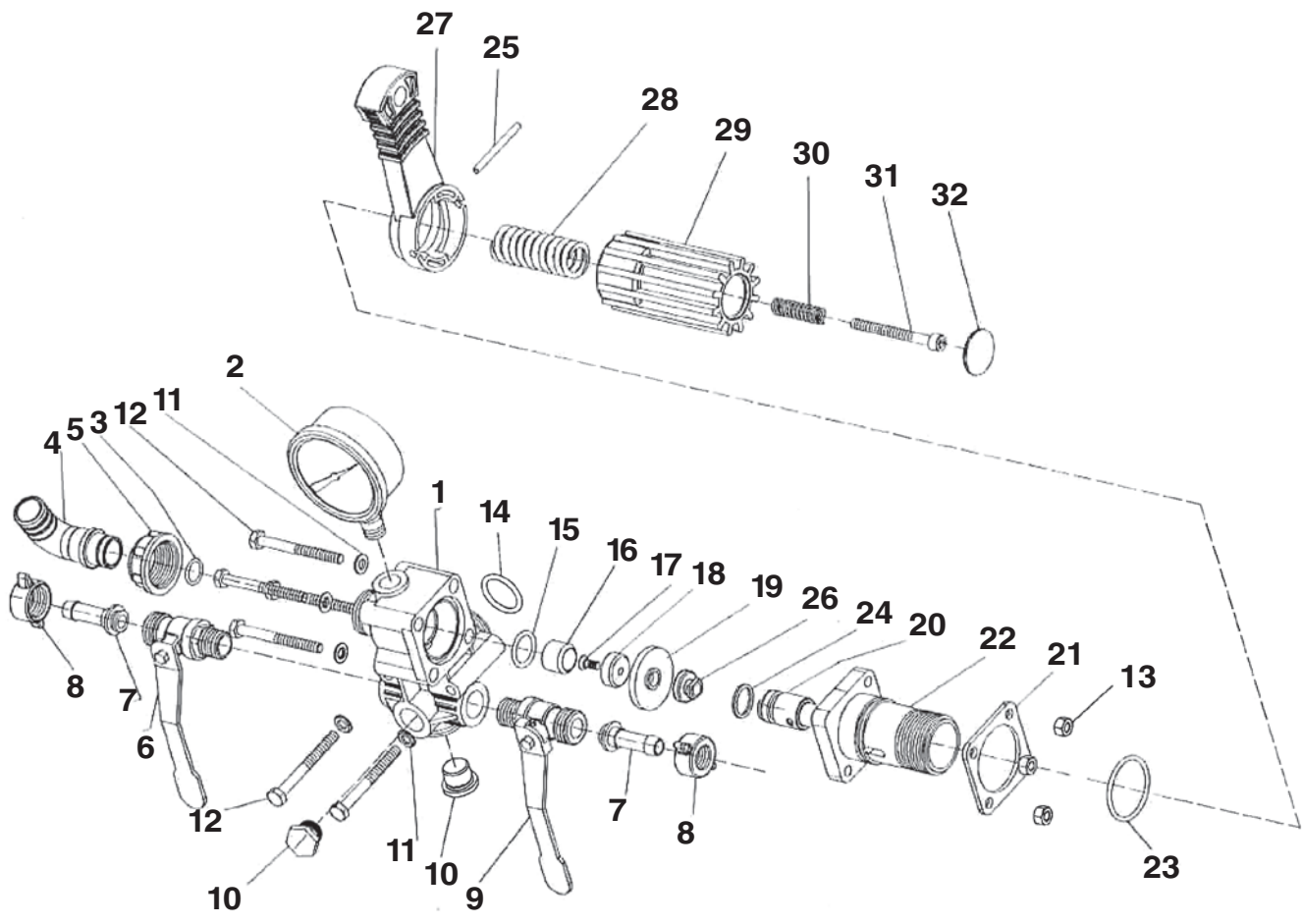


REGULATOR CONTROL MODEL SC-1240-3 PARTS LIST

❖ Valve Kit Order SC-993989297

ITEM	PART NUMBER	DESCRIPTION	QTY.
1	SC-26020809	CAP	1
2	SC-86235000	SCREW M6X45	4
3	SC-84554410	SPRAY VALVE LH	3
4	SC-85258500	PLUG	2
5	SC-26021109	PRESSURE REGULATOR BODY	1
6	SC-81454200	NUT M6	1
7	SC-82004210	WING NUT G. 3/4	1
8	SC-84052100	90 DEGREE ELBOW TAIL	1
❖ 9	SC-80306000	O-RING, D.1, 78X12, 42	1
10	SC-26021509	REGULATOR BODY OUTLET SIDE	1
❖ 11	SC-83001013	PRESSURE REGULATOR	1
❖ 12	SC-80309000	O-RING, D. 2X16	1
13	SC-80320830	O-RING, D.2, 62X36,14	1
14	SC-26021351	ADJUSTING VALVE SEAT	1
15	SC-86193100	SCREW SS M5X12	1
16	SC-26020151	SPACER	1
❖ 17	SC-26018936	DIAPHRAGM	1
❖ 18	SC-80321800	O-RING DIA. 3/22	1
19	SC-26020332	PISTON	1
20	SC-26020232	PLUNGER	1
21	SC-26020732	LEVER	1
22	SC-85116100	PIN	1
23	SC-26021248	SPRING	1
24	SC-26020451	SPRING WASHER	1
25	SC-26020532	KNOB	1
26	SC-86214000	SCREW M6X207	1
27	DP-84155400	HOSE BARB	1
28	DP-82001000	WING NUT	1
29	SC-86241400	BOLT	2

SC-1241-2 Regulator-Control

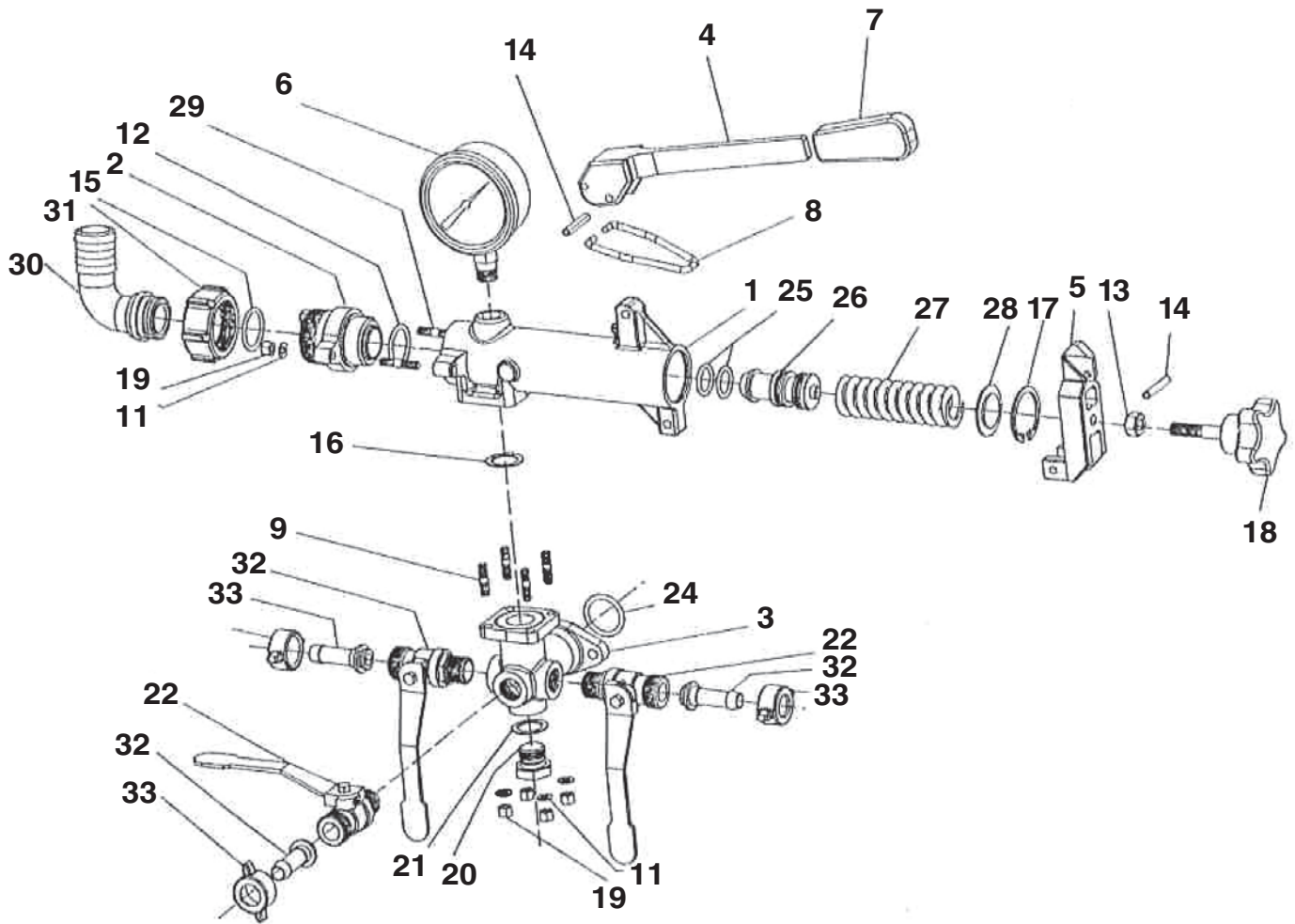


REGULATOR CONTROL MODEL SC-1241-2 PARTS LIST

❖ Valve Kit Order SC-25996597

ITEM	PART NUMBER	DESCRIPTION	QTY.
1	SC-24030032	VALVE BODY	1
2	SC-83001013	PRESSURE GAUGE	1
❖ 3	SC-80306000	O-RING	1
4	SC-84052100	90 DEGREE ELBOW CONN	1
5	SC-82004210	WING NUT	1
6	DP-84554410	LEFT TAP	1
7	SC-84154400	HOSE BARB	2
8	DP-82001000	WING NUT	2
9	DP-84554400	RIGHT TAP	1
10	DP-85257953	CAP	1
11	DP-84358500	WASHER	2
12	SC-86242600	SCREW	2
13	SC-81454200	NUT	4
❖ 14	DP-80321800	O-RING	1
❖ 15	SC-80318200	O-RING	1
❖ 16	SC-26022018	VALVE SEAT	1
17	SC-86193480	BOLT	1
❖ 18	SC-26020118	POPPET	1
❖ 19	SC-26018936	HPS DIAPHRAGM	1
20	SC-24071454	PUSHING PISTON FOR SPRING	1
21	SC-24030461	PLATE	1
22	SC-24030132	FLANGE	1
❖ 23	DP-80320820	O-RING	1
❖ 24	DP-80321700	O-RING	1
25	SC-85116100	PIN	1
26	SC-24071354	HOLDING PISTON FOR DIAPHRAGM	1
27	SC-24030332	CONTROL LEVER	1
28	SC-26021248	SPRING	1
29	SC-24030532	ADJUSTING KNOB	1
30	SC-24030649	SPRING	1
31	SC-86242800	SCREW	1
32	SC-24030732	CAP	1

SC-1480-3 Regulator-Control

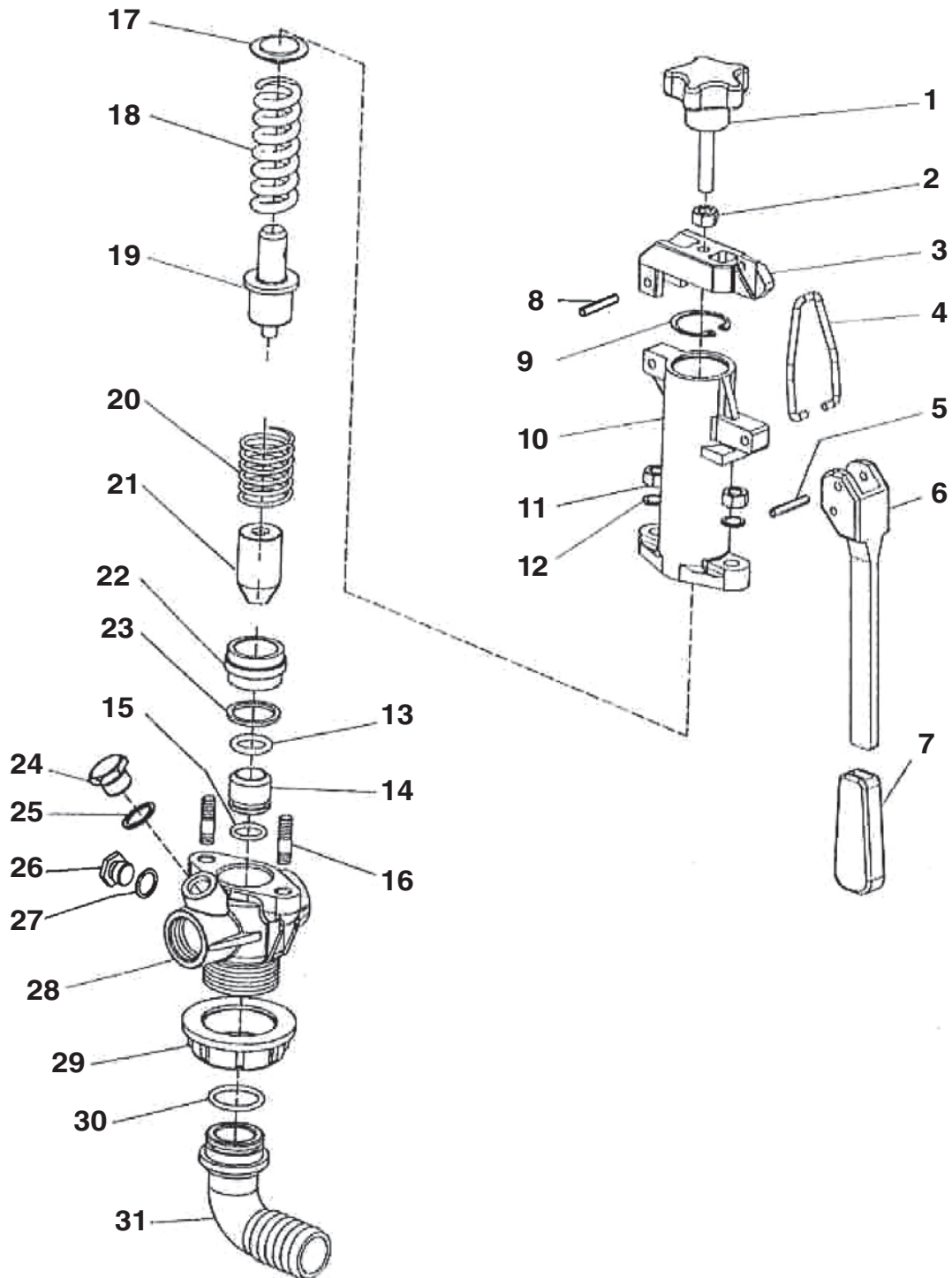


REGULATOR CONTROL MODEL SC-1480-3 PARTS LIST

❖ Valve Kit Order SC-98986697

ITEM	PART NUMBER	DESCRIPTION	QTY.
1	SC-98018908	VALVE BODY	1
2	SC-98986297	SEAT-DISCHARGE CONNECTION	1
3	SC-98019008	VALVE CONNECTION	1
4	SC-98019509	PRESSURE ADJUSTING VALVE LEVER	1
5	SC-98019409	VALVE ARM	1
6	SC-83001013	PRESSURE GAUGE	1
7	SC-82840450	KNOB	1
8	SC-70009948	TIE BOLT	1
9	SC-84554410	SPRAY VALVE -RH	1
10	SC-83800500	STUB M5X18	2
11	SC-84354200	WASHER D.5	6
❖ 12	SC-80310400	O-RING D. 2X25	1
13	SC-81457500	NUT M8	1
14	SC-85118700	SPRING PIN	2
❖ 15	SC-80320000	O-RING DIA. 2, 62X22, 22	1
❖ 16	SC-98018900	GASKET	1
17	SC-80124600	SNAP RING	1
18	SC-83752800	KNOB	1
19	SC-81452500	NUT M5	6
20	DP-85257953	PLUG	1
21	SC-82410700	GASKET	1
22	SC-84554410	SPRAY VALVE - LH	2
❖ 23	SC-80321800	O-RING DIA. 3X22	1
❖ 24	SC-80318700	GASKET	2
25	SC-98019743	SHUTTER DN23	1
26	SC-98019849	SPRING	1
27	SC-98019648	WASHER	1
28	SC-83800600	STUD M5X14	4
29	SC-84054200	90 DEGREE ELBOW TAIL	1
30	SC-82004900	WING NUT M34	1
31	DP-84155400	HOSE BARB	3
32	DP-82001000	NUT	3

SC-1580-1 Regulator-Control



REGULATOR CONTROL MODEL SC-1580-1 PARTS LIST

❖ Valve Kit Order SC-24980397

ITEM	PART NUMBER	DESCRIPTION	QTY.
1	SC-83752900	KNOB	1
2	SC-81457500	NUT	1
3	SC-98019409	VALVE ARM	1
4	SC-70009948	CLIP	1
5	SC-85118800	PIN	1
6	SC-91017209	LEVER	1
7	SC-82840450	KNOB	1
8	SC-85118800	PIN	1
9	SC-80124600	SNAP RING	1
10	SC-24600208	BODY	1
11	SC-81457500	NUT	1
12	DP-84368500	WASHER	1
❖ 13	SC-80324400	O-RING	1
❖ 14	SC-73032643	VALVE SEAT	1
❖ 15	PP-80318700	GASKET	1
16	SC-83813300	STUB	2
17	SC-98019648	WASHER	1
18	SC-24600548	SPRING	1
19	SC-24600348	PIN	1
20	SC-31071151	SPRING	1
❖ 21	SC-24601251	CERAMIC POPPET	1
22	SC-24600653	WASHER	1
❖ 23	SC-73032867	O-RING	1
24	DP-85254350	PLUG	1
25	DP-82407900	GASKET	1
26	DP-85254350	PLUG	1
27	DP-82407900	GASKET	1
28	SC-24600112	VALVE BODY	1
29	DP-82006750	BARB NUT	1
❖ 30	DP-80321900	O-RING	1
31	DP-84056000	90 DEGREE HOSE BARB	1

LIMITED WARRANTY

THIS WARRANTY IS IN LIEU OF ALL OTHER WRITTEN OR EXPRESS WARRANTIES AND REPRESENTATIONS. ANY IMPLIED WARRANTIES INCLUDING MERCHANTABILITY OR FITNESS FOR ANY PARTICULAR PURPOSE ARE EXPRESSLY LIMITED TO THIS WRITTEN WARRANTY. CDS-JOHN BLUE COMPANY SHALL NOT BE LIABLE FOR CONSEQUENTIAL DAMAGES.

Use of this product for any purpose other than its original intent, abuse of the product, and/or any modification to the original product is strictly prohibited by the manufacturer, CDS-John Blue Company. Any modification to the product should be approved by CDS-John Blue prior to use. CDS-John Blue Company will deny Warranty claims and liability in any situation involving misuse, abuse or modification.

Each new machine or component manufactured by CDS-John Blue Company through original buyer is warranted by CDS-John Blue Company to buyer and to any party or parties to whom buyer may resell, lease or lend the equipment to be free from defects in material and workmanship under normal use and service. This obligation of CDS-John Blue Company under this warranty is limited to the repair or replacement of defective parts or correction of improper workmanship of an parts of such equipment which shall within one year from the date of CDS-John Blue's original delivery thereof, be returned to CDS-John Blue's factory, transportation charges prepaid and which CDS-John Blue Company shall determine to its satisfaction upon examination thereof to have been thus defective. When it is impractical to return the defective parts of such equipment to CDS-John Blue's factory, then CDS-John Blue shall have no liability for the labor cost involved in repairing or replacing any such parts and shall be liable solely for supplying the material necessary to replace or repair the defective parts, provided that prior thereto CDS-John Blue Company shall have determined to its satisfaction that any such parts are thus defective.

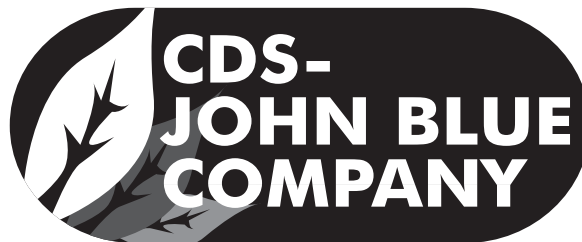
This warranty shall not apply to any equipment which shall have been repaired or altered outside CDS-John Blue's factory in any way so as to affect its durability, nor which has been subjected to misuse, abuse, negligence or accident or operated in any manner other than in accordance with operating instructions provided by CDS-John Blue Company. This warranty does not extend to repairs made necessary by the use of inferior or unsuitable parts or accessories, or parts or accessories not recommended by CDS-John Blue Company.

CDS-John Blue Company makes no warranties in respect to parts, accessories, or components not manufactured by CDS-John Blue Company, same ordinarily being warranted separately by their respective manufacturers.

DIVISION OF ADVANCED SYSTEMS TECHNOLOGIES

HUNTSVILLE, AL

(256) 721-9090



CDS-JOHN BLUE COMPANY

DIVISION OF ADVANCED SYSTEMS TECHNOLOGY, INC.

165 Electronics Blvd., • Huntsville, Alabama 35824

Telephone: (256) 721-9090 • FAX (256) 721-9091 • Toll Free: 1-800-253-2583

YOUR LOCAL DEALER

