



Roller Cover Installation Guide

RO1-017

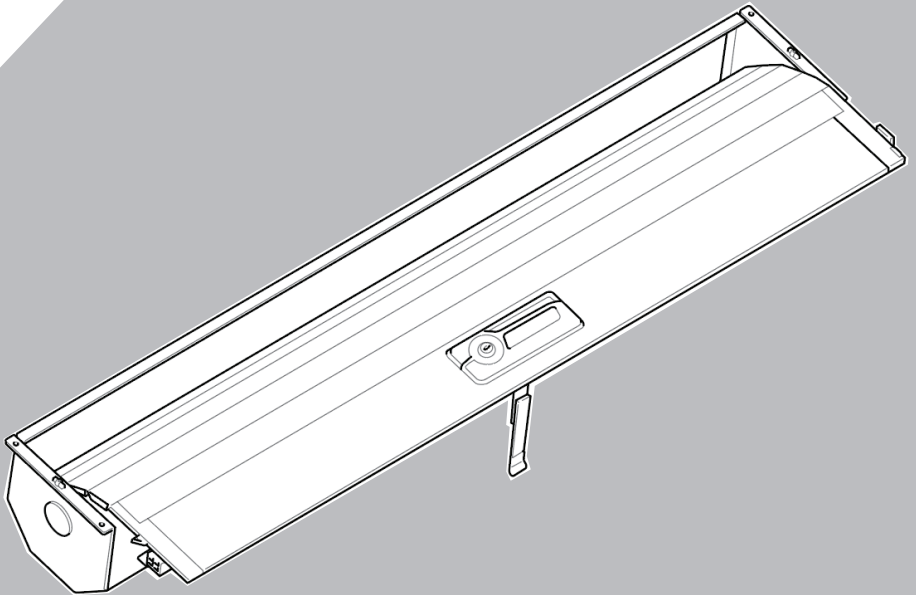


TABLE OF CONTENTS

| | |
|-------------------------------|-----------|
| General Warnings_____ | pg. 2 |
| Maintenance and Cleaning_____ | pg. 2 |
| Model Parts_____ | pg. 3 |
| Fixings, Accessories_____ | pg. 4 |
| Tools Required, Assembly_____ | pg. 5-15 |
| Troubleshooting_____ | pg. 16-17 |



Read the instruction carefully!

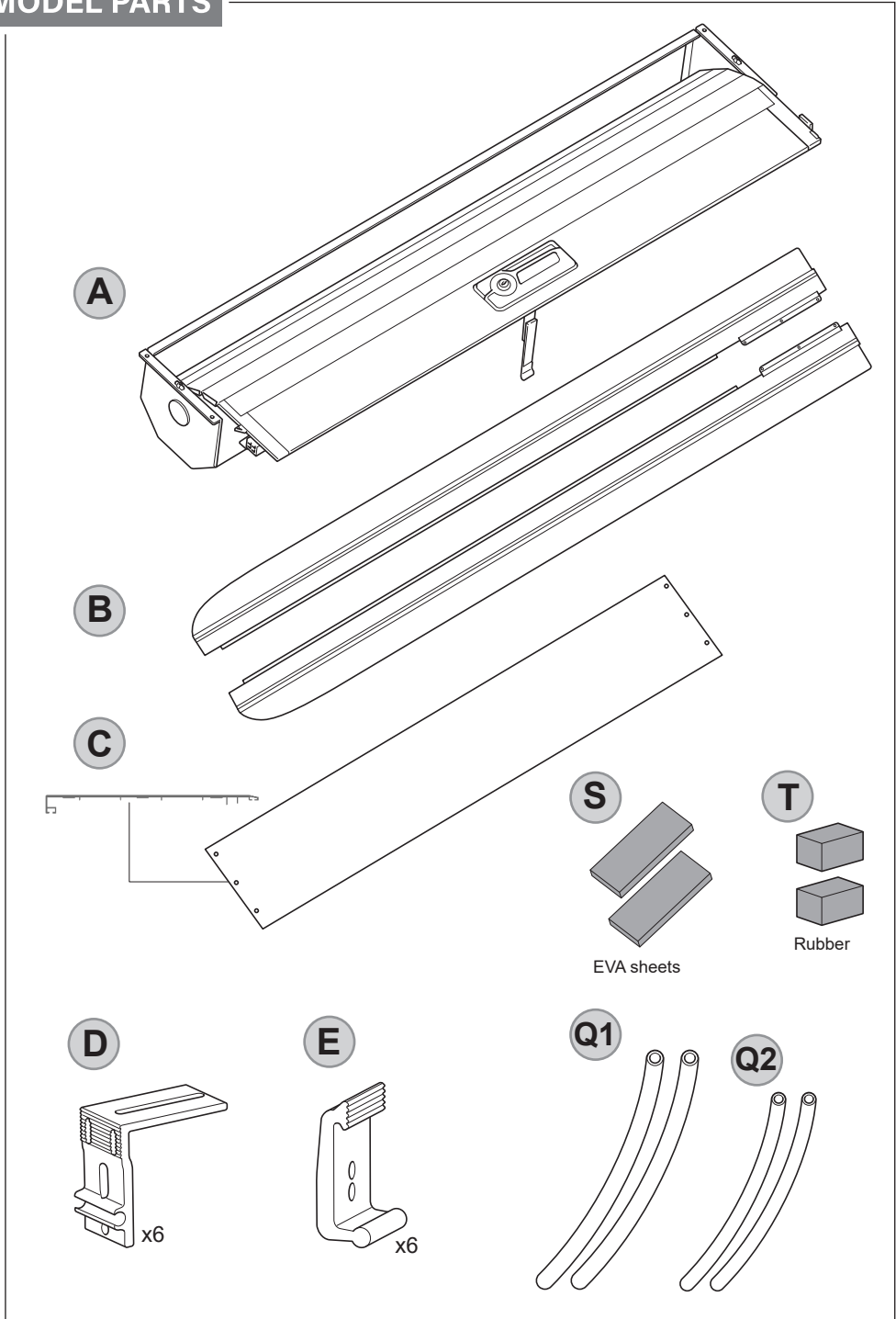
GENERAL WARNINGS

1. Open the packaging carefully and remove all parts. **Caution:** Handle all components with care to avoid damage.
2. Assemble the main body with the track by following the provided instructions. Secure the parts by tightening the screws.
3. Prepare the bed area by clearing the space and removing any objects. Locate the drain hole according to the instructions. **Important:** Pay attention to the gap between the compartment front wall and the cab before drilling. Avoid damaging the cab.
4. Install the bracket as shown in the instructions.
5. Lift the cover into place on the car as per the instructions. Use the positioning parts to align it correctly. Start by securing the screws closest to the cab. **Important:** Adjust the slide to be parallel (within $\pm 0.5\text{mm}$). For the rear part, press firmly (refer to the photo) to bring the track closer to the rail, then tighten the screws at the rear.
6. Adjust the shutter's shrinkage and tightness according to your desired usage.
7. Lubricate the slide rail and coil using the recommended lubricant only. Do not use any other lubricants.

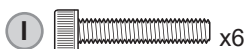
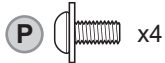
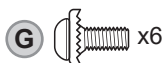
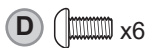
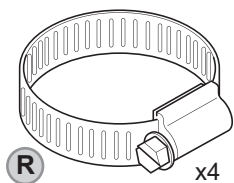
MAINTENANCE AND CLEANING

1. Avoid stacking heavy loads on top of the rolling cover to prevent damage.
2. To unlock the cover, gently pull it back and press to release the lock.
3. Do not modify or transfer the system in any way. Always follow the manual strictly—unauthorized changes can lead to damage or void the warranty.
4. Do not use abrasive materials, chemicals, or gasoline to clean the cover.
Important: Ensure that gravel or debris does not enter the slide rail to maintain smooth operation.

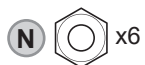
MODEL PARTS



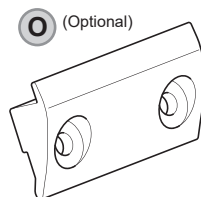
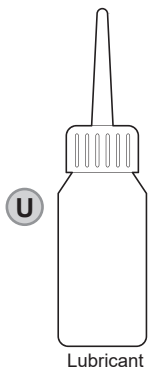
FIXINGS



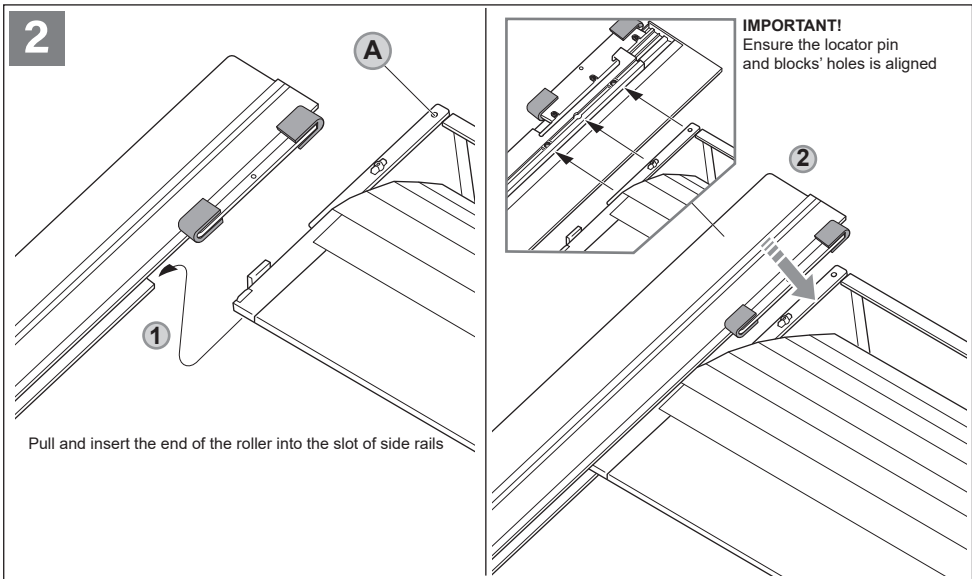
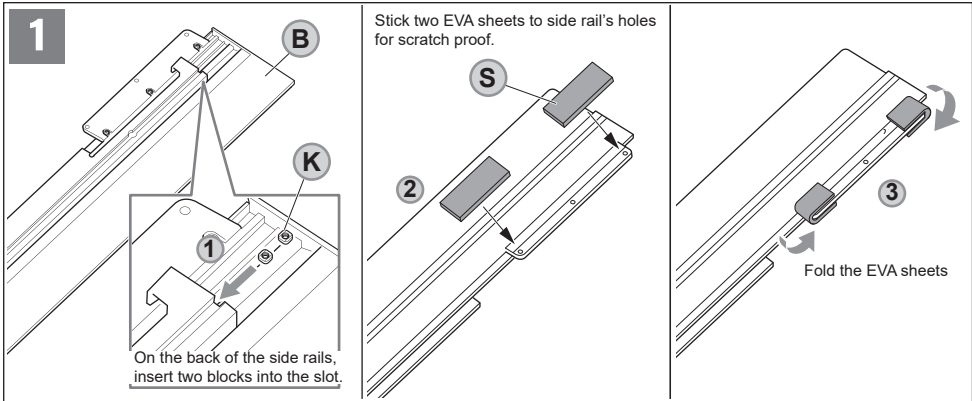
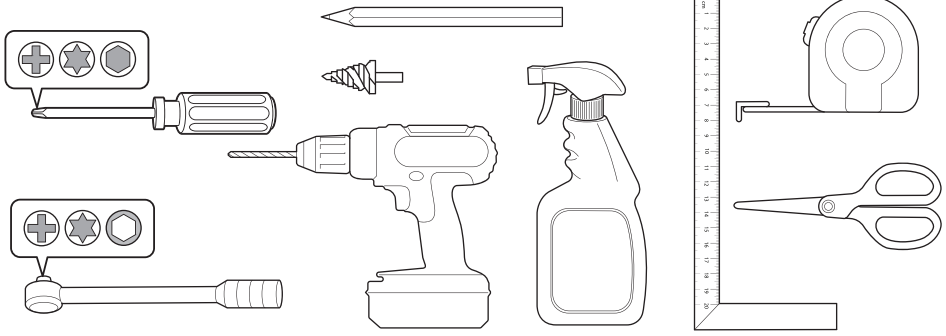
(Optional)

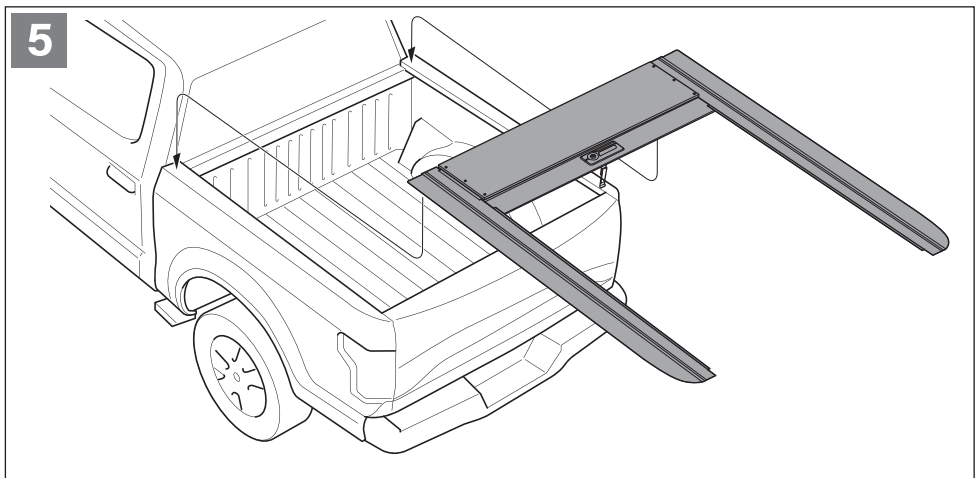
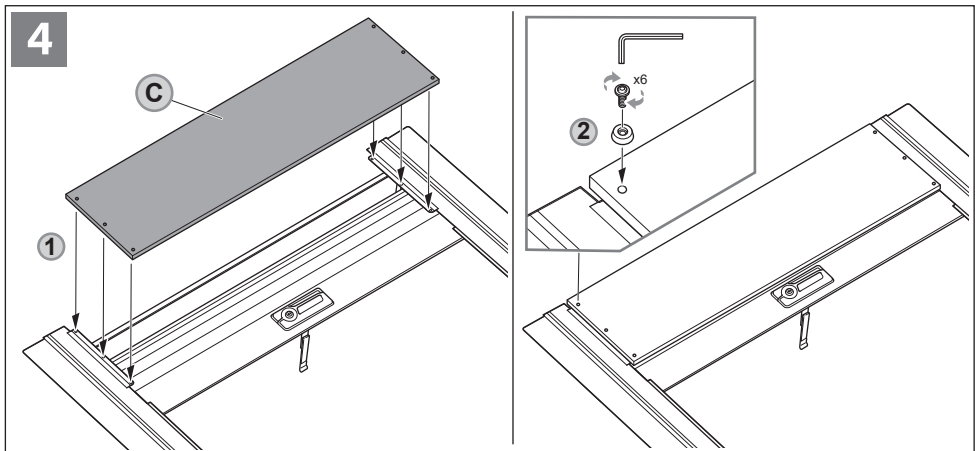
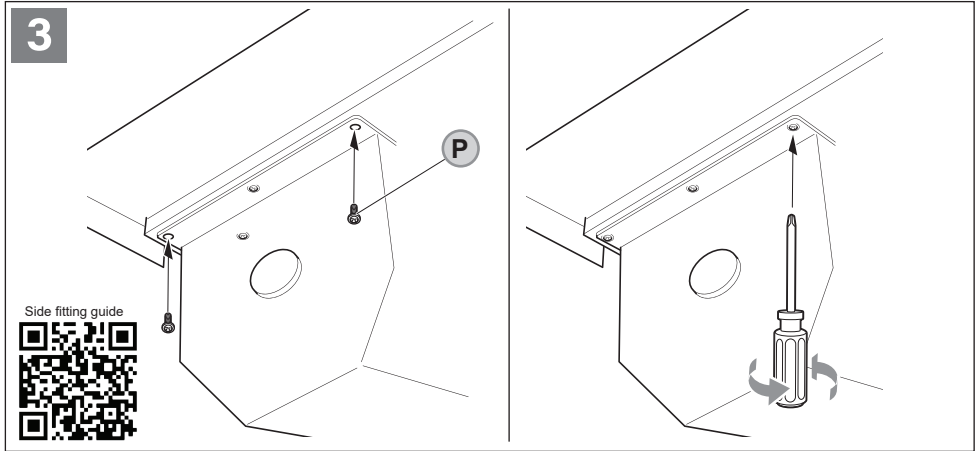


ACCESSORIES



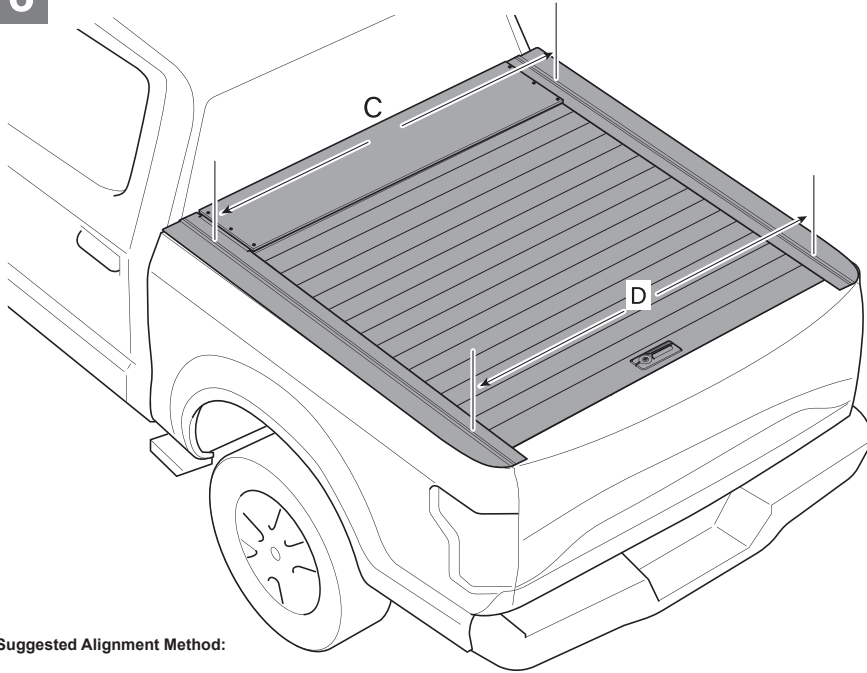
TOOLS REQUIRED





6

Aligning the Cover: Ensure the roller is in the closed position. Center the cover evenly in the middle for proper alignment.



Suggested Alignment Method:

Measure Dimension C: Measure at the front of the cover.

Measure Dimension D: Measure at the rear of the cover.

Ensure C = D: Both measurements should be equal, with a tolerance of $\pm 0.5\text{mm}$ being acceptable. Keep the tracking rail parallel during this process.

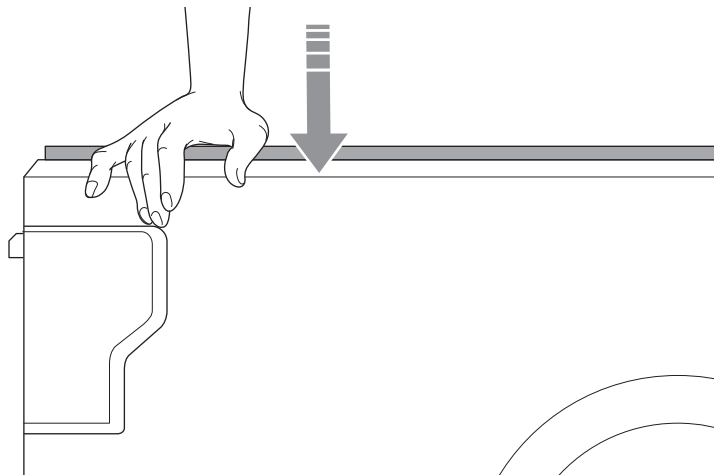
Visual Inspection: Use your eye to confirm the cover is aligned parallel and centered to the body.

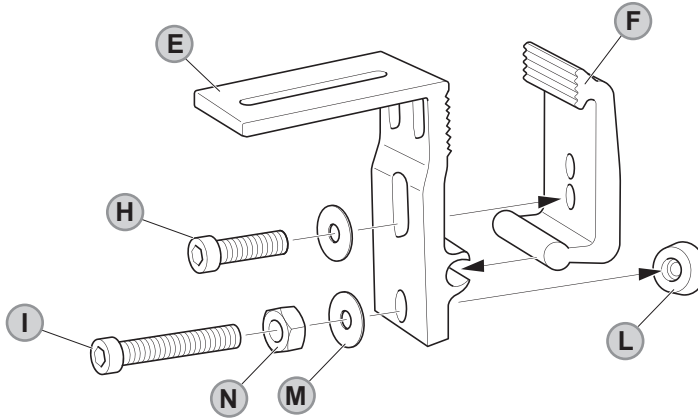
Tailgate Overlap: Slightly overlap the tailgate to ensure a proper seal.

7

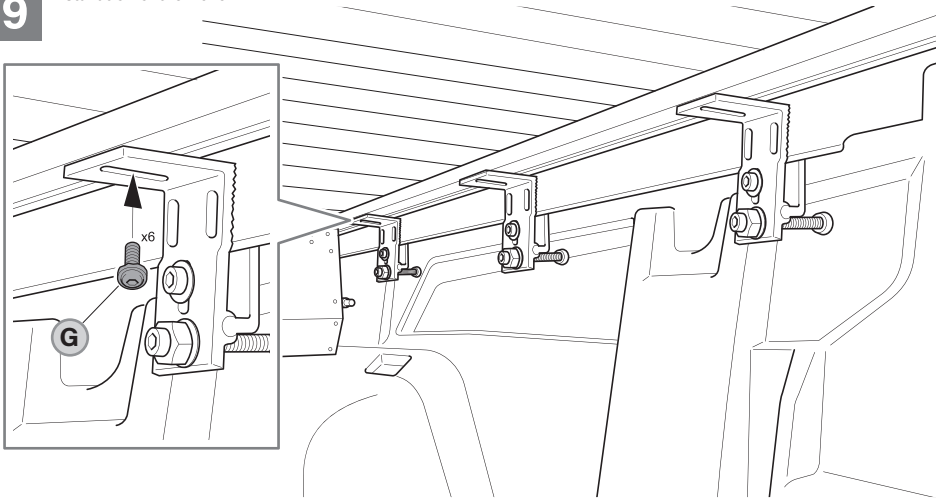
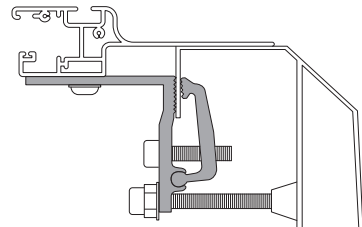
Rear Part Adjustment: Apply sufficient pressure to the rear part of the cover to ensure it lies flat.

This is crucial—if the cover doesn't roll freely after mounting, it is likely either not tightened enough or too tight (causing bending)



8**Assemble the clamps****Notes:**

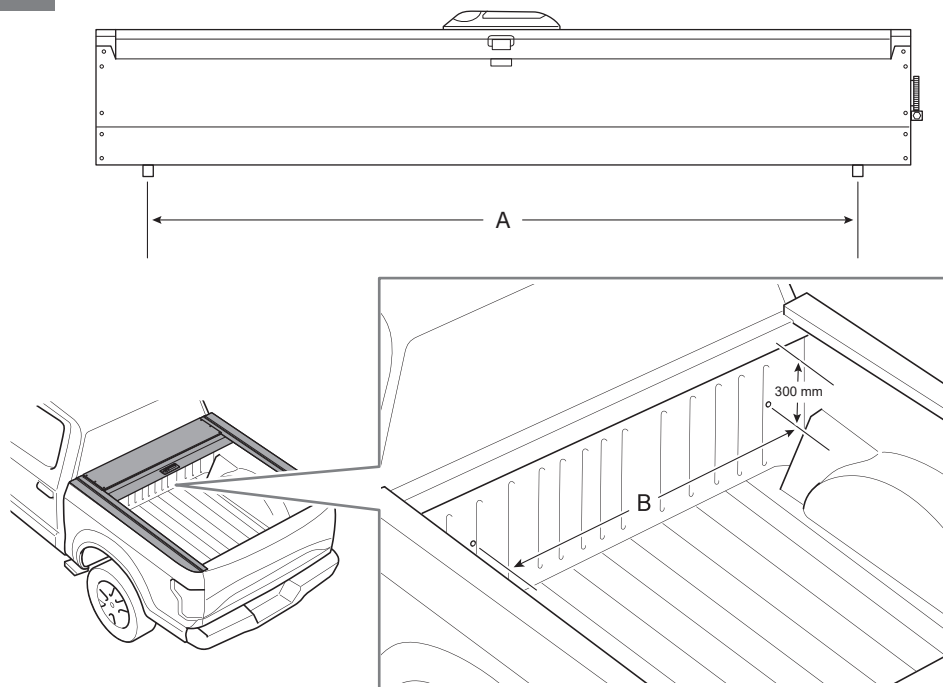
Depending on the cover model, only 4 clamps may be provided. Ensure they are spaced evenly as necessary.

9**Installation of the Cover****FRONT VIEW**

- 1.) The cover should still be attached from the previous steps.
- 2.) Fully close the cover by pulling it out.
- 3.) Align the cover so it sits securely, sealing the rear (close the tailgate to verify proper alignment).
- 4.) Once aligned, open the cover and install the clamps.
- 5.) Evenly space the clamps by sliding them over the tub lip, then screw them into place on the cover.
- 5.) Apply significant pressure to the sides of the cover and tighten the screws.
- 6.) Use bolt "H" (shown below) to securely tighten each clamp.
- 7.) Ensure the clamps are tightened as much as possible for a firm hold.

10**Measure, Mark, and Drill the Drain Holes**

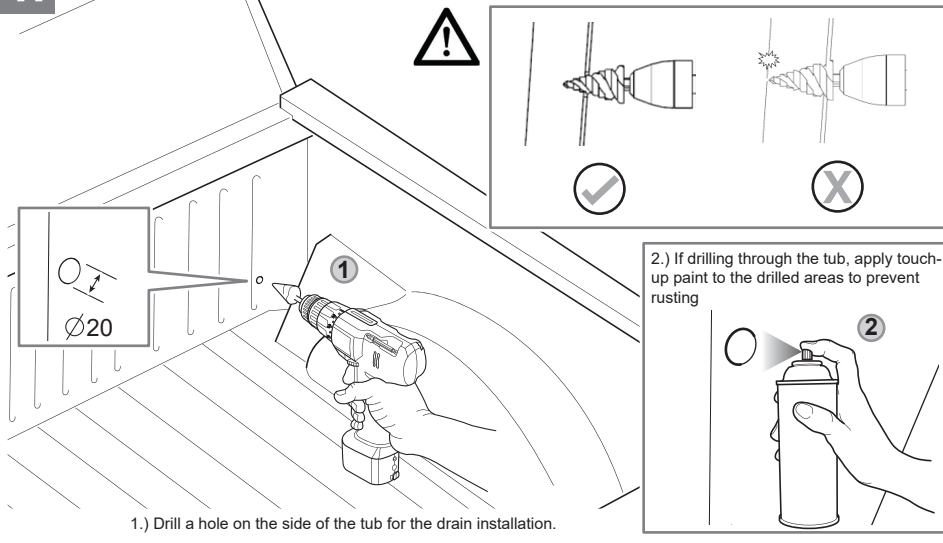
Carefully measure the required locations, mark the spots, and then drill the drain holes as specified.

**Measure dimension "A", then mark dimension "B". Set A = B.**

These recommended measurements ensure proper drainage of water from the canisters.

11

Using the lines as a guide and referring to the next slide, mark and drill holes for the drain lines to the outside of the tub. The purpose of these holes is to prevent kinking of the lines and ensure free water flow from the canister.



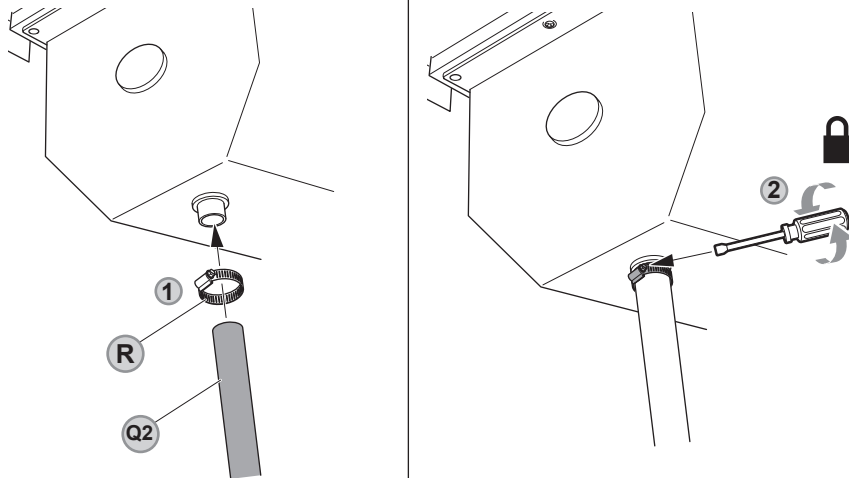
1.) Drill a hole on the side of the tub for the drain installation.

2.) If drilling through the tub, apply touch-up paint to the drilled areas to prevent rusting

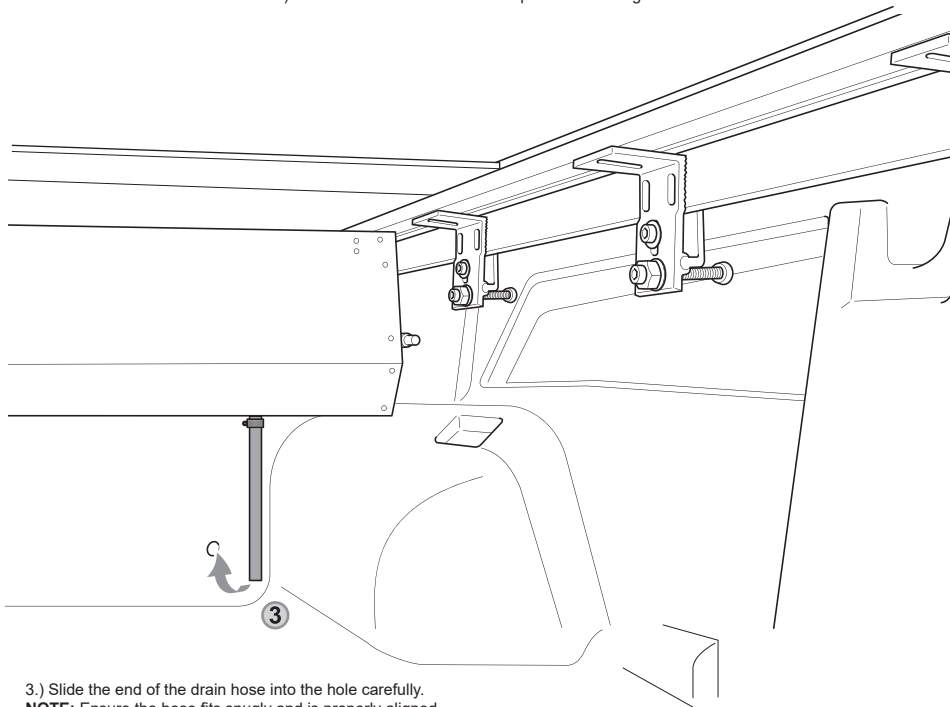
12

Install the Drain Lines on the Bottom of the Canister

Carefully lift the cover onto the tub to position it correctly.



- 1.) Attach the drain lines to the cover as shown in the diagram.
- 2.) Turn the screw of the hose clamp clockwise to tighten



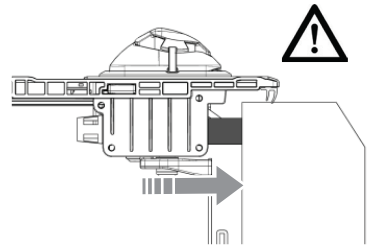
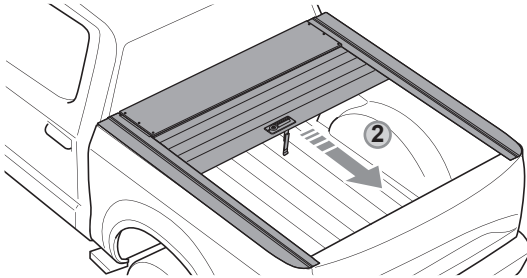
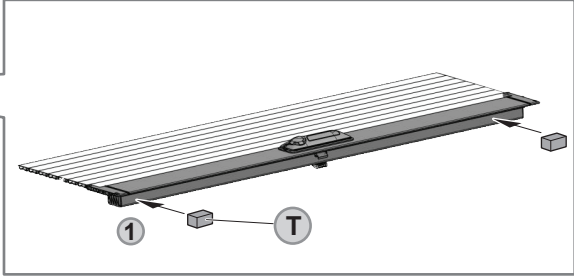
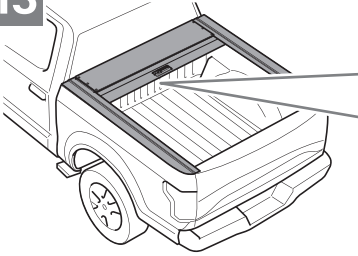
3.) Slide the end of the drain hose into the hole carefully.

NOTE: Ensure the hose fits snugly and is properly aligned.

If necessary, use a sealant or clamp to secure the hose in place, preventing leaks.

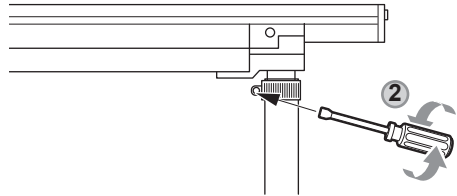
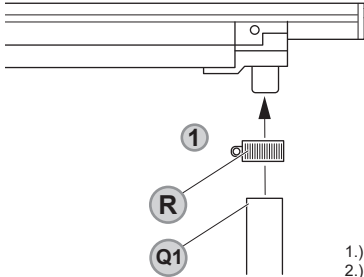
13

Insert Rubber on the Ends to Secure the Roller Cover in the Closed Position

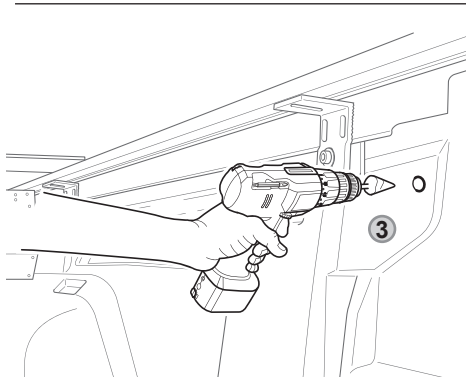


14

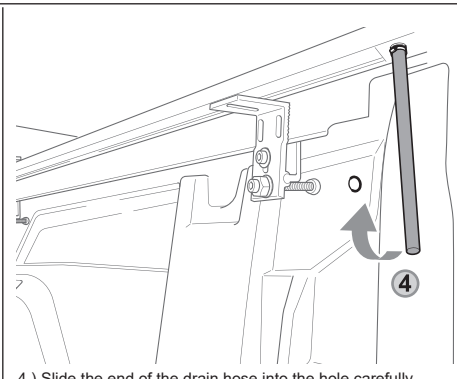
Securely attach the rear drain to its designated connection point.



- 1.) Attach the drain lines to the cover as shown in the diagram.
- 2.) Turn the screw of the hose clamp clockwise to tighten



3.) Drill a hole on the side of the tub for the drain installation.

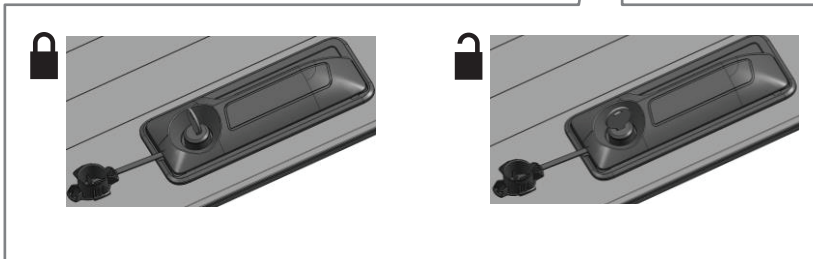
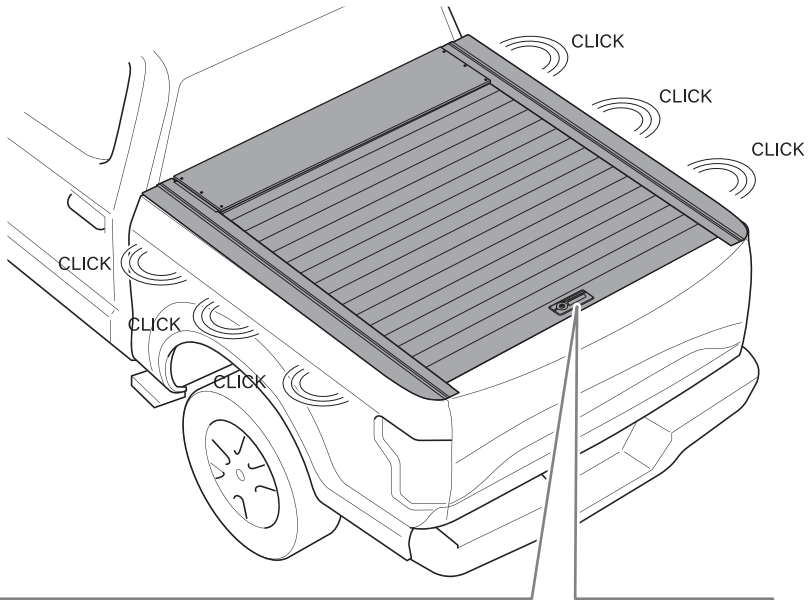
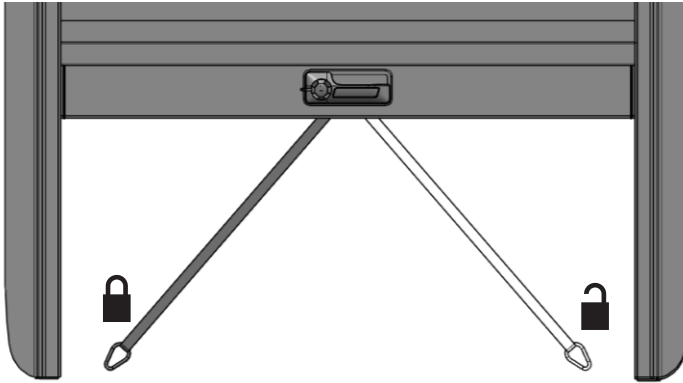


4.) Slide the end of the drain hose into the hole carefully.
NOTE: Ensure the hose fits snugly and is properly aligned. If necessary, use a sealant or clamp to secure the hose in place, preventing leaks.

15

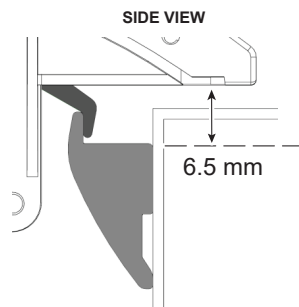
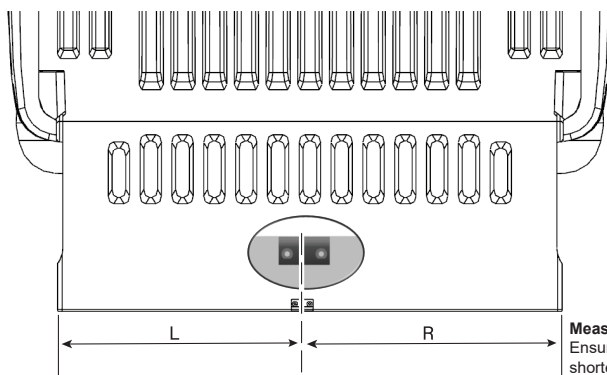
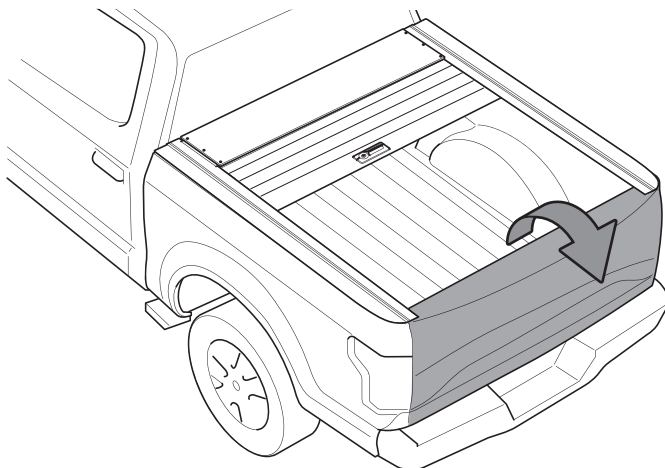
Locking Adjustment:

Use the pull rope to determine whether you want the roller cover to lock in the middle or at just the end.



16

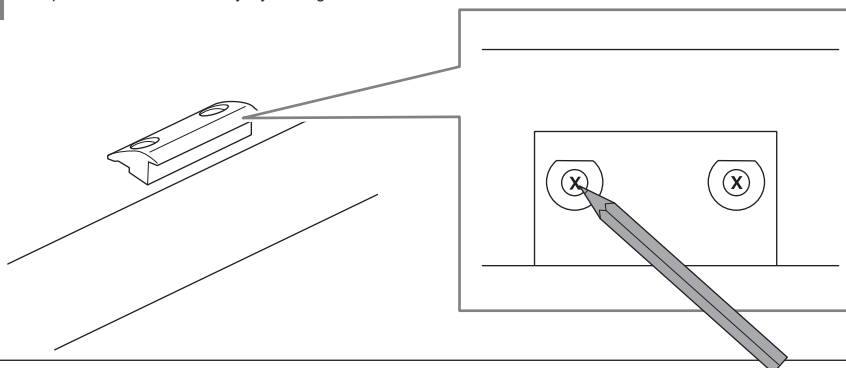
OPTIONAL: Roller Cover Locking for the Tailgate
This option is recommended only if your tailgate is not lockable.



Measure the Distance of the Rear Door:
Ensure that the distance on the left (L) side is 42mm shorter than the right (R) side.

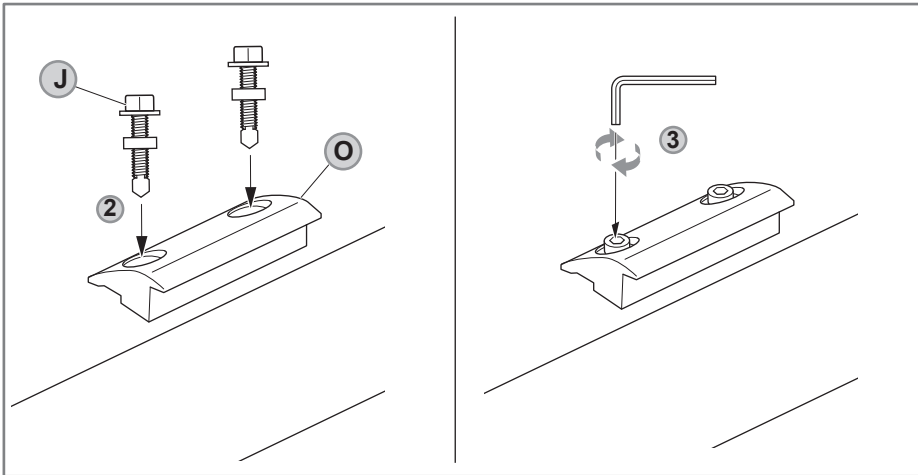
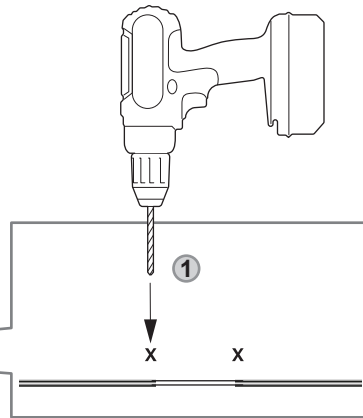
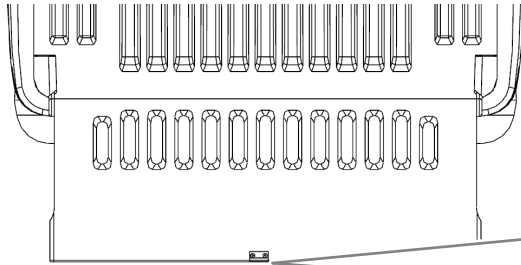
17

OPTIONAL: Mark the tailgate
This option is recommended only if your tailgate is not lockable.



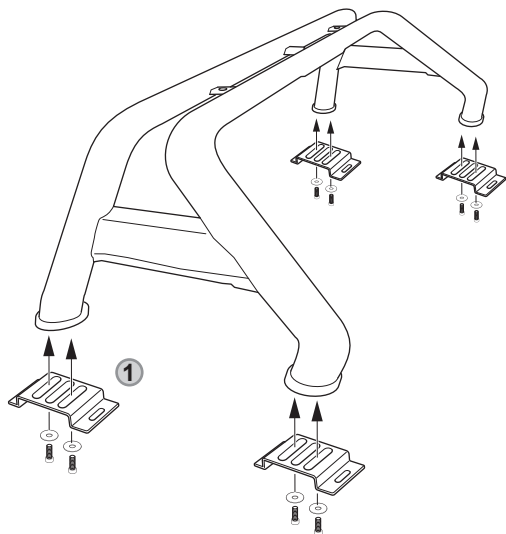
18

OPTIONAL: Using the mark, drill holes to the tailgate
This option is recommended only if your tailgate is not lockable.

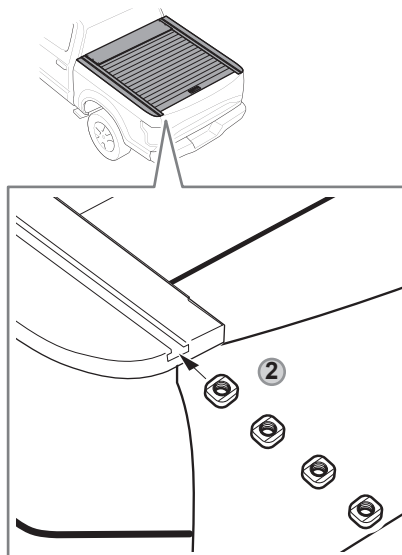


19**OPTIONAL: Sports Bar or Accessory Mounting**

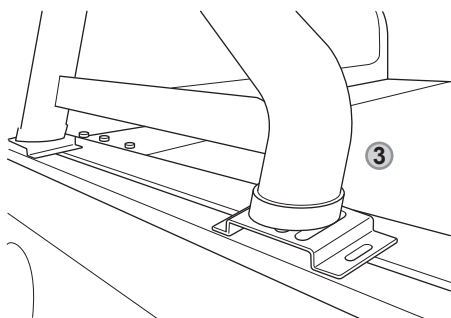
If your order includes a sports bar, it will come with the necessary adapters. To install, attach the adapters to the accessory rail as shown.



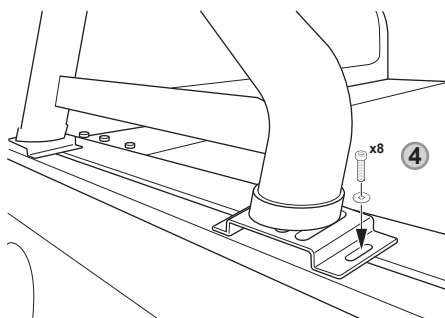
1.) Attach the sports bar adapters to your sports bars using the factory bolts. Only tighten the bolts by hand (finger-tight) to allow for proper alignment during installation on the vehicle.



2.) Insert four blocks into the slot on the front section of each side rail (four per side).



3.) Carefully lift the sports bars onto the roller cover. Align them properly, then adjust the mounts as needed to best fit the specific sports bars being used.



4.) Insert bolt and tighten.

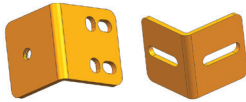
TROUBLESHOOTING

| SKU | Tailgate-side width | Middle width | Cab-side width | Canister | Adaptor | Bracket (Width) | Foam |
|--|---------------------|--------------|----------------|----------|---------|--------------------------------|--------------|
| RO1-001 - ROLERCOVERXCLASS | 113.78 | 140.59 | 149.50 | 1405 | 4 sets | 40 mm: 8 sets 80 mm: 4 sets | 10 mm: 1 set |
| RO1-002 - ROLLERAMAROK | 118.64 | 129.17 | 142.99 | 1445 | 4 sets | 40 mm: 8 sets | 10 mm: 1 set |
| RO1-003 - ROLLER2021BT50 | 120.36 | 132.82 | 138.00 | 1405 | 4 sets | 40 mm: 8 sets 80 mm: 4 sets | 10 mm: 1 set |
| RO1-004 - ROLLERCOLORADO | 124.43 | 134.59 | 132.45 | 1435 | 4 sets | 40 mm: 8 sets 80 mm: 4 sets | 10 mm: 1 set |
| RO1-005 - ROLLER2009COLORADO (ROLLERCC-COLORADO) | | | | 1345 | 4 sets | 40 mm: 8 sets 80 mm: 4 sets | 10 mm: 1 set |
| RO1-006 - ROLLERAMAROK2023 | | | | | | | |
| RO1-007 - HOLDENCOLORADOZ71COVER | | | | 1330 | | See figure 19. | 5 mm: 2 sets |
| RO1-008 - ROLLERD40COVER | 120.79 | 123.00 | 123.00 | 1405 | 4 sets | 40 mm: 8 sets 80 mm: 4 sets | 10 mm: 1 set |
| RO1-009 - D40 KING CAB | 120.91 | 122.50 | 122.50 | 1425 | 4 sets | 40 mm: 8 sets 80 mm: 4 sets | 10 mm: 1 set |
| RO1-010 - FOTON-TUNLAND | | | | | | | |
| RO1-011 - ROLLERDMAX12-16 | 122.50 | 123.00 | 123.00 | 1415 | 4 sets | 40 mm: 8 sets 80 mm: 4 sets | 10 mm: 1 set |
| RO1-012 - ROLLER2021DMAX | 118.37 | 124.08 | 134.02 | 1405 | 4 sets | 40 mm: 8 sets 80 mm: 4 sets | 10 mm: 1 set |
| RO1-013 - DMAX EXTRA CAB | 120.91 | 122.50 | 122.50 | 1425 | 4 sets | 40 mm: 8 sets 80 mm: 4 sets | 10 mm: 1 set |
| RO1-014 - (SPARE SKU SLOT) | | | | | | | |
| RO1-015 - GREAT WALL STEED | | | | | | | |
| RO1-016 - ROLLERGUNHILUX | 116.14 | 116.14 | 116.14 | 1385 | 2 sets | 40 mm: 8 sets 80 mm: 4 sets | 10 mm: 1 set |
| RO1-017 - ROLLEREXTRACABGUNHILUX | | 127.50 | 127.50 | 1385 | 2 sets | 40 mm: 8 sets 80 mm: 4 sets | 10 mm: 1 set |
| RO1-018 - KZN 2000 HILUX | | | | | | | |
| RO1-019 - ROLLERJDECKGUN 1588 | | | | | | | |
| RO1-020 - ROLLERJDECKGUN-1630 | 127.42 | 132.50 | 132.50 | 1425 | 4 sets | See figure 19. | 10 mm: 1 set |
| RO1-021 - ROLLERT60LDV | 121.82 | 148.39 | 153.50 | 1405 | | 40 mm: 8 sets 80 mm: 4 sets | 10 mm: 1 set |
| RO1-022 - ROLLER-LDV-T60-SHORT | 123.68 | 151.65 | 158.99 | 1405 | 4 sets | 40 mm: 8 sets 80 mm: 4 sets | 10 mm: 1 set |
| RO1-023 - ROLLERCOVERMUSSO | 128.47 | 141.00 | 141.00 | 1425 | 4 sets | See figure 19. | 10 mm: 1 set |
| RO1-024 - ROLLER-MUSSO-SHORT | 126.80 | 132.49 | 132.50 | 1425 | 4 sets | See figure 19. | 10 mm: 1 set |
| RO1-025 - D22 NAVARA 1396 ST-R | | | | 1260 | 4 sets | 40 mm: 8 sets 80 mm: 4 sets | 10 mm: 1 set |
| RO1-026 - ROLLERD22NAVARA-1485cm | | | | 1290 | 4 sets | 40 mm: 8 sets 80 mm: 4 sets | 10 mm: 1 set |
| RO1-027 - ROLLERNP300 2016+ | | | | 1325 | 4 sets | 40 mm: 8 sets 80 mm: 4 sets | 10 mm: 1 set |
| RO1-028 - ROLLERNP300 2016+ Sportsbars | | | | | | | |
| RO1-029 - ROLLERNP3002021 | 135.73 | 140.83 | 134.20 | 1340 | 4 sets | 40 mm: 8 sets 80 mm: 4 sets | 30 mm: 1 set |
| RO1-030 - ROLLERNP3002021SPORTSBARS | | | | | | | |
| RO1-031 - ROLLERRANGERPK | 120.44 | 123.00 | 123.00 | 1330 | 4 sets | 40 mm: 8 sets 80 mm: 4 sets | 10 mm: 1 set |
| RO1-032 - RANGERPKSPACECAB | 113.50 | 113.50 | 113.50 | 1330 | 4 sets | 40 mm: 8 sets 80 mm: 4 sets | 10 mm: 1 set |

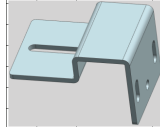
| | | | | | | | |
|---|--------|--------|--------|------|--------|--------------------------------|--------------|
| RO1-033 - ROLLERRAM1500EXPRESS7 | | | | 1500 | 4 sets | 40 mm: 8 sets | 10 mm: 1 set |
| RO1-034 - ROLLERRAM5.8 | | | | | | | |
| RO1-035 - ROLLERRAM1500QUAD63 | | | | | | | |
| RO1-036 - ROLLERRANGEREXTRACAB | 120.92 | 122.50 | 122.50 | 1385 | 4 sets | 40 mm: 8 sets 80 mm: 4 sets | 10 mm: 1 set |
| RO1-037 - ROLLERMY22RANGER | 122.58 | 137.41 | 149.53 | 1355 | 2 sets | See figure 19. | 25 mm: 1 set |
| RO1-038 - MY22RANGER EXTRA CAB | 115.18 | 137.41 | 149.53 | 1355 | 2 sets | See figure 19. | 25 mm: 1 set |
| RO1-039 - ROLLERRANGER | 120.59 | 123.00 | 123.00 | 1385 | 4 sets | 40 mm: 8 sets 80 mm: 4 sets | 10 mm: 1 set |
| RO1-040 - ROLLER09MLTRITON | | | | 1405 | 2 sets | 40 mm: 8 sets | |
| RO1-041 - ROLLERTRITONMNCOVER | 121.35 | 123.00 | 123.00 | 1325 | 2 sets | 40 mm: 8 sets 80 mm: 4 sets | 10 mm: 1 set |
| RO1-042 - ROLLERMQTRITON | | | | 1405 | 2 sets | 40 mm: 8 sets | 30 mm: 1 set |
| RO1-043 - ROLLERD22NAVARA-1396 | | | | | | | |
| RO1-044 - ROLLERCOVER MY22 AMAROK | | | | 1335 | | See figure 19. | 25 mm: 1 set |
| RO1-045 - ROLLERCOVER AMAROK with sailplane | | | | 1330 | | See figure 19. | 10 mm: 1 set |

FIGURE 19

R01-007 (8 sets)



R01-020 (6 sets)



R01-037, 038, 044 (2 sets individually)



R01-023, 024



(2 sets)



(4 sets)

R01-45 (6 sets)







