

**SUPER
HANDY**

Electric Wood Chipper/Shredder Instruction Manual



WARNING:

Read carefully and understand all INSTRUCTIONS before operating. Failure to follow the safety rules and other basic safety precautions may result in serious personal injury. Save these instructions in a safe place and on hand so that they can be read when required. Keep these instructions to assist in future servicing.



IMPORTANT SAFEGUARDS

For your own safety, always follow these basic precautions when using this appliance.

1. Read the user Manual carefully for operating instructions. Read all instructions in this manual before use.
2. DO NOT use this product for anything other than its intended purpose.
3. DO NOT use attachments other than those available from the manufacturer.
4. DO NOT alter this product in any manner; doing so is dangerous and will void all warranties.
5. DO NOT allow children or adults weighing under 100 lbs. to operate this unit.
6. DO NOT operate under the influence of drugs or alcohol.
7. DO NOT continue to use this product in the event of mechanical or electrical failure.

TECHNICAL DETAILS

Electrical Rating	120VAC / 60Hz / 15A
Blade Speed	4,100 RPM
Blade Diameter	7"
Maximum Limb Capacity	1.57" Diameter

WARNING SYMBOLS AND DEFINITIONS

This is the safety alert symbol. It is used to alert you to potential personal injury hazards. Obey all safety messages that follow this symbol to avoid possible injury or death.



DANGER Indicates a hazardous situation which, if not avoided, will result in death or serious injury.



WARNING Indicates a hazardous situation which, if not avoided, could result in death or serious injury.



CAUTION Indicates a hazardous situation which, if not avoided, could result in minor or moderate injury.



NOTICE/CAUTION Addresses practices not related to personal injury.

IMPORTANT SAFETY INSTRUCTIONS



WARNING When using electric gardening appliances, basic safety precautions should always be followed to reduce the risk of fire, electric shock, and personal injury, including the following:

READ ALL INSTRUCTIONS

Power Cord Safety



WARNING To reduce the risk of electric shock, use only with an extension cord intended for outdoor use, such as an extension cord of cord type SW-A, SOW-A, STW-A, STOW-A, SJW-A, SJOW-A, SJTW-A, or SJTOW-A.

1. Ground Fault Circuit Interrupter (GFCI) protection should be provided on the circuit(s) or outlet(s) to be used for the gardening appliance. Receptacles are available having built-in GFCI protection and may be used for this measure of safety.
2. Do not Abuse Cord - Do not carry appliance by cord or yank it to disconnect from receptacle. Keep cord from heat, oil, and sharp edges.
3. To reduce the risk of electric shock, this appliance has a polarized plug (one blade is wider than the other) and will require the use of a polarized extension cord. The appliance plug will fit into a polarized extension cord only one way. If the plug does not fit fully into the extension cord, reverse the plug. If the plug still does not fit, obtain a correct polarized extension cord. A polarized extension cord will require the use of a polarized wall outlet. This plug will fit into the polarized wall outlet only one way. If the plug does not fit fully into the wall outlet, reverse the plug. If the plug still does not fit, contact a qualified electrician to install the proper wall outlet. Do not change the equipment plug, extension cord receptacle, or extension cord plug in any way. This design is referred to as double-insulated, indicated by
4. **WARNING:** The cord of this product contains lead, a chemical known to the State of California to cause cancer, and birth defects or other reproductive harm. Wash hands after handling. (California Health & Safety Code § 25249.5, et seq.)

5. Extension Cord - Make sure your extension cord is in good condition. When using an extension cord, be sure to use one heavy enough to carry the current your product will draw. An undersized extension cord will cause a drop in line voltage resulting in loss of power and overheating.

Extension Cord Size

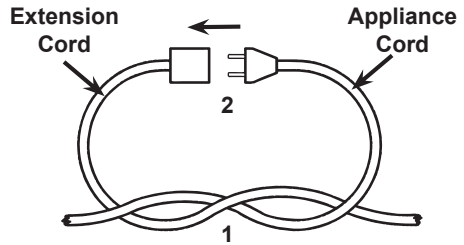
The following table shows the correct cord size to use depending on cord length and nameplate ampere rating. If in doubt, use the next heavier gauge. The smaller the gauge number, the heavier the cord.

TABLE A – MINIMUM WIRE GAUGE FOR EXTENSION CORDS (120 VOLT)				
Ampere Rating (at full load)	EXTENSION CORD LENGTH			
	25'	50'	100'	150'
0 – 6	18	16	16	14
6 – 10	18	16	14	12
10 – 12	16	16	14	12
12 – 16	14	12	Not recommended	

Connecting Cords

To reduce the risk of the cords pulling apart during operation, do one of the following:

- a. Make a knot as shown below then connect the cords:
- b. Or, use a plug-receptacle retaining strap or connector designed to hold extension cords to appliance cords.



Personal Safety

1. Dress Properly - Do not wear loose clothing or jewelry. They can be caught in moving parts. Use of rubber gloves and substantial footwear is recommended when working outdoors. Wear protective hair covering to contain long hair.
2. Wear ANSI-approved safety goggles and heavy-duty work gloves. Use face or dust mask if operation is dusty.
3. Avoid Unintentional Starting - Do not carry plugged-in appliance with finger on switch. Be sure switch is off when plugging in.
4. Do not Overreach - Keep proper footing and balance at all times.
5. Stay Alert - Watch what you are doing. Use common sense. Do not operate appliance when you are tired.
6. People with pacemakers should consult their physician(s) before use. Electromagnetic fields in close proximity to heart pacemaker could cause pacemaker interference or pacemaker failure. In addition, people with pacemakers should:
 - Avoid operating alone.
 - Don't use with power switch locked on.
 - Properly maintain and inspect to avoid electrical shock.
 - Any power cord must be properly grounded. Ground Fault Circuit Interrupter (GFCI) should also be implemented – it prevents sustained electrical shock.

Gardening Appliance Use and Care

1. Avoid Dangerous Environment - Do not use appliances in damp or wet locations.
2. Do not use in rain.
3. Keep Children Away - All visitors should be kept at a distance from work area.
4. When servicing use only identical replacement parts.
5. Before Starting the Chipper/Shredder, make sure that the hopper inlet is empty.
6. Keep your face and body away from the Hopper opening.
7. Stay clear of the discharge area. Keep body and hands away from the discharge chute.
8. Do not put your hands into the hopper opening while the unit is running. Use the paddle to push objects into the hopper.
9. Before feeding material into the shredder, remove any metal, rocks, bottles, cans or other foreign objects that may damage blades.
10. Use Right Appliance - Do not use appliance for any job except that for which it is intended.
11. Do not Force Appliance - It will do the job better and with less likelihood of injury at the rate for which it was designed.
12. Store Idle Appliances Indoors - When not in use, appliances should be stored indoors in dry, and high or locked-up place - out of reach of children.
13. Maintain Appliance With Care - Keep cutting edge sharp and clean for best performance and to reduce the risk of injury. Follow instructions for lubricating and changing accessories. Inspect appliance cord periodically, and if damaged, have it repaired by an authorized service facility. Inspect extension cords periodically and replace if damaged. Keep handles dry, clean, and free from oil and grease.
14. Check Damaged Parts - Before further use of the appliance, a guard or other part that is damaged should be carefully checked to determine that it will operate properly and perform its intended function. Check for alignment of moving parts, binding of moving parts, breakage of parts, mounting, and any other condition that may affect its operation. A guard or other part that is damaged should be properly repaired or replaced by a qualified technician unless indicated elsewhere in this manual.
15. Disconnect Appliance - Disconnect the appliance from the power supply when not in use, before servicing, when changing accessories such as blades, and the like.
16. Keep guards in place and in working order.
17. Keep blades sharp.
18. Keep clear of intake and discharge chute. Use included push paddle. Unplug unit and allow it to stop before unclogging.

Set Up Instructions

Read the **ENTIRE IMPORTANT SAFETY INSTRUCTIONS** section at the beginning of this manual including all text under subheadings therein before set up or use of this product.



WARNING TO PREVENT SERIOUS INJURY FROM ACCIDENTAL OPERATION:

Turn the Power Switch of the appliance to its "OFF" position and unplug the appliance from its electrical outlet before assembling or making any adjustments.

Note: For additional information regarding the parts listed in the following pages, refer to the Assembly Diagram near the end of this manual.

ASSEMBLY

1. Slide the Axle (65) through the holes on the Lower Frame (64).
2. Slide a Washer (66), a Bushing (67), a Wheel (68) and another Washer (66) onto one end of the Axle.
3. Secure in place with a Pin (63).
4. Repeat steps 2 and 3 on the other end of the Axle.

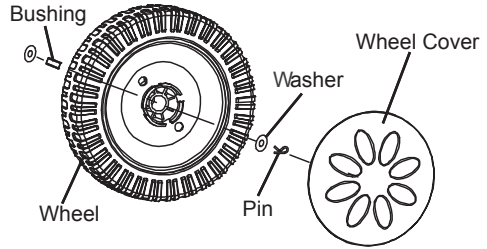


Figure A

5. Press the Wheel Covers (62) onto the Wheels, over the Pins, using a rubber mallet (sold separately) to lightly tap them in place if needed.
6. Turn the Chipper/Shredder upside down and slide the Lower Frame ends into the slots on the Base.
7. Align the holes and secure in place with two Washers and Screws.

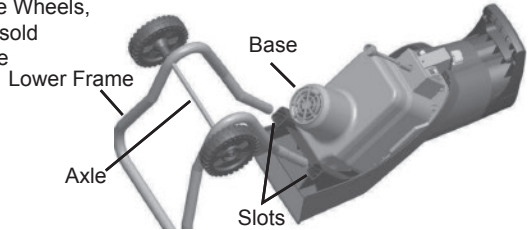


Figure B

Functions

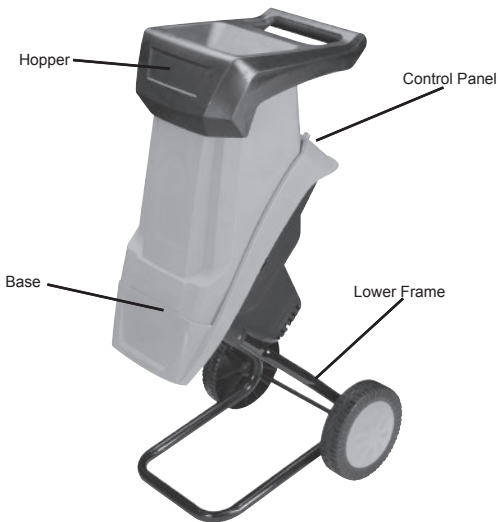
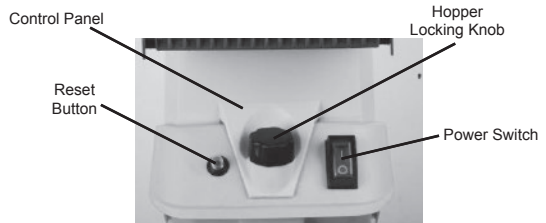


Figure C

Operating Instructions

Read the ENTIRE IMPORTANT SAFETY INFORMATION section at the beginning of this manual including all text under subheadings therein before set up or use of this product.

Operation

1. Before operating the Chipper/Shredder, put on ANSI-approved safety goggles and other safety gear. Safety goggles and other safety gear are sold separately.
2. If an extension cord is used, ensure that it is an outdoor type extension cord and that it is the correct design to accept this appliance's plug.

WARNING!

TO PREVENT ELECTRIC SHOCK AND SERIOUS PERSONAL INJURY:

The extension cord must remain secured to the appliance's plug.

Secure the extension cord by either using the knot method explained in the safety warning section, or by using a device designed specifically for retaining the extension cord (sold separately).

3. Check that the Power Switch is OFF.
4. Check that the feed inlet is empty.
5. Check that the Hopper is securely closed and that the Hopper Locking Knob is turned fully lockwise.

Note: The Chipper/Shredder will not run if the Hopper is open, not fitted well, or the Hopper Locking Knob is loose.

6. Plug the Power Cord into a 120VAC/60Hz outlet.
7. Turn on the Power Switch.
8. Hold branches and feed them into the hopper. Release the branches when they begin to pull into the hopper.

! WARNING! Keep a safe distance from the Hopper opening. Longer material can lash out when being pulled in by the blades.

! WARNING! Keep clear of intake and discharge chute. Use included push paddle. Unplug unit and allow it to stop before unclogging.

! CAUTION! Keep the ventilation slots clear while working to avoid overheating.

9. Do not shred soft, damp material such as kitchen waste as it may clog the Chipper/Shredder. Let damp garden waste dry for a few days before shredding.
10. Remove soil and rocks from roots before inserting them into the Chipper/Shredder.
11. Use the push paddle to feed leaves and other small material into the Hopper.
12. Feed material into the Chipper/Shredder at the rate that the machine pulls the material. Do not force material into the machine.
13. Set aside a few dry branches, then feed them into the machine when finished, to help clean the unit.
14. Wait for all material to pass through the Chipper / Shredder before turning the unit off.
15. To prevent accidents, turn the power off, and disconnect the power supply after use. Clean, then store the appliance indoors out of children's reach.



Figure D

Overload Protection

This Chipper/Shredder is equipped with an overload protection system. If the unit clogs while running, the overload protection system will shut the power off. Wait at least one minute before restarting. Press the Reset Button then turn the Power Switch on.

Maintenance and Servicing

Procedures not specifically explained in this manual must be performed only by a qualified technician.



WARNING!

TO PREVENT SERIOUS INJURY FROM ACCIDENTAL OPERATION OR ELECTRIC SHOCK:

Turn the Power Switch of the appliance to its "OFF" position and unplug the appliance from its electrical outlet before performing any inspection, maintenance, or cleaning procedures.

TO PREVENT SERIOUS INJURY FROM TOOL FAILURE:

Do not use damaged equipment. If abnormal noise or vibration occurs, have the problem corrected before further use.

Cleaning, Maintenance

1. BEFORE EACH USE, inspect the general condition of the tool. Check for:
 - loose hardware,
 - misalignment or binding of moving parts,
 - cracked or broken parts,
 - damaged cord/electrical wiring, and
 - any other condition that may affect its safe operation.
2. AFTER USE, clean external surfaces of the appliance with clean, moist cloth.
3. Replace or sharpen the Blades as needed. (See below.)
4. If the motor turns but the appliance does not function, the belt may be broken. Have the belt replaced by a qualified technician.
5. **WARNING! If the supply cord of this appliance is damaged, it must be replaced only by a qualified service technician.**

Cleaning the Chipper/Shredder

1. Turn the Hopper Locking Knob counterclockwise and remove the Hopper.
2. Clean the cutting Blades and discharge area and remove wood sticks or objects that may clog the Blades.
3. Check the Blades for damage and replace if needed.
4. Return the Hopper to its upright position and tighten in place with the Locking Knob after cleaning the interior.
5. Use a warm damp cloth and a soft brush to clean the exterior of the Chipper/Shredder. Do not spray water or use detergents on the Chipper/Shredder.
6. Check that the ventilation slots are clean.

Replacing the Blades

The reversible Blades are attached to the Cutter Head with two screws.

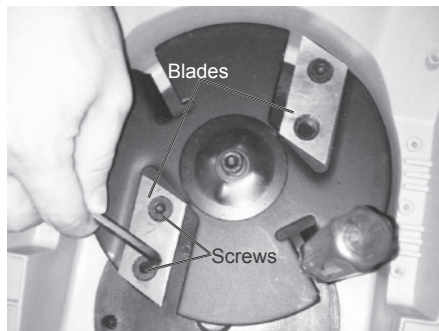


Figure E

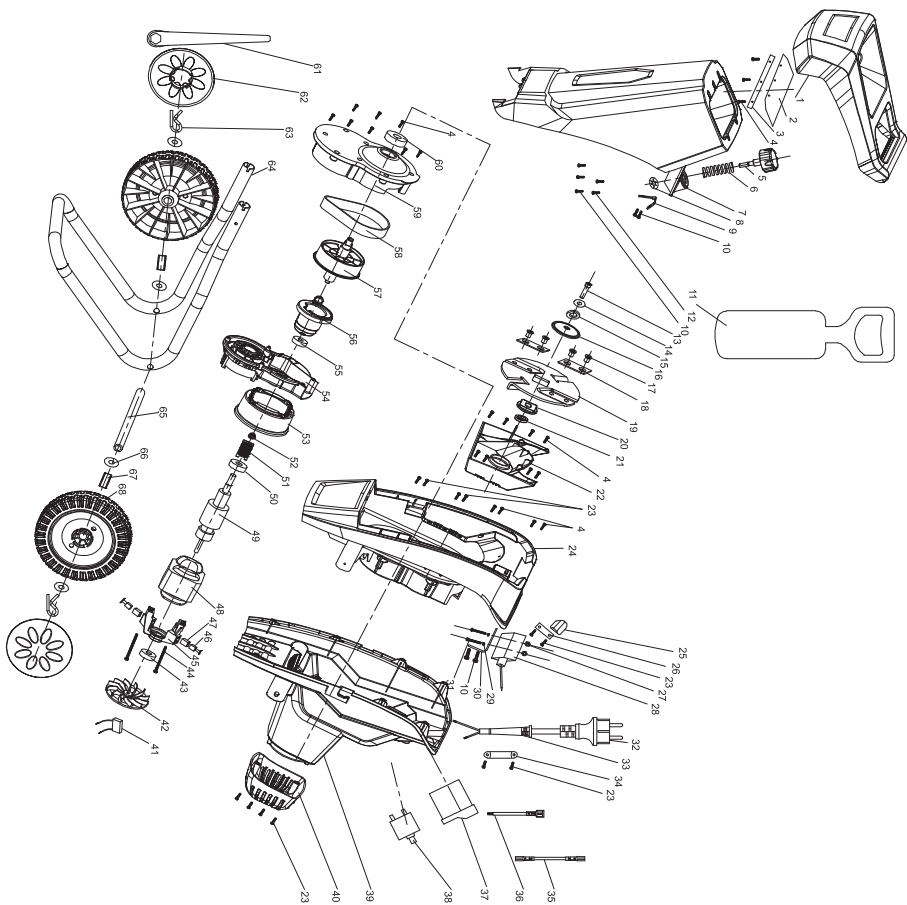
1. Access the Blades by removing the Hopper.
2. Align the slots on the Cutter Head and main body and insert a screwdriver or other metal rod (sold separately) to prevent the unit from rotating while changing the Blades.
3. Unthread the two screws holding a Blade and carefully remove the Blade.
4. Either reverse the Blade with the sharp edge in the cutting position, have the blade professionally sharpened/honed, or insert a new Blade.
5. Secure in place with the screws. Repeat with the other Blade at the same time.

PARTS LIST AND DIAGRAM

PLEASE READ THE FOLLOWING CAREFULLY

The manufacturer and/or distributor has provided the parts list and assembly diagram in this manual as a reference tool only. Neither the manufacturer or distributor makes any representation or warranty of any kind to the buyer that he or she is qualified to make any repairs to the product, or that he or she is qualified to replace any parts of the product. In fact, the manufacturer and/or distributor expressly states that all repairs and parts replacements should be undertaken by certified and licensed technicians, and not by the buyer. The buyer assumes all risk and liability arising out of his or her repairs to the original product or replacement parts thereto, or arising out of his or her installation of replacement parts thereto.

Part No.	Description	Q'ty	Part No.	Description	Q'ty
1	Hopper	1	35	Connecting Wire 2	1
2	Scraps Defend Block	1	36	Connecting Wire 1	1
3	Clamp Bar	1	37	Power Switch	1
4	Screw	23	38	Reset Button	1
5	Hopper Locking Knob	1	39	Motor Casing	1
6	Spring	1	40	Motor Cover	1
7	Up Housing	1	41	Capacitor	1
8	Frame	1	42	Fan	1
9	Switch Pin	1	43	Bearing	1
10	Screw	7	44	Screw	2
11	Push Paddle	1	45	Motor Support	1
12	"H" Type Screw	2	46	Carbon Brush	2
13	Hexagon Screw	1	47	Brush Box	2
14	Washer	1	48	Field	1
15	Spring Washer 1	1	49	Armature	1
16	Clamp Block	1	50	Bearing	1
17	Screw	4	51	Wind Defend Board	1
18	Blade	2	52	Down Cover Of Gear Box	1
19	Blade Plate	1	53	Small Belt Wheel	1
20	Drive Block	1	54	Nut	1
21	Shaft Sheath	1	55	Bearing	1
22	Blade Defend Block	1	56	Eccentric Wheel	1
23	Screw	12	57	Big Belt Wheel	1
24	Down Housing	1	58	Belt	1
25	25 Nut 1	1	59	Up Cover Of Gear Box	1
26	Nut Frame Plate	1	60	Bearing	1
27	Hex Nut	4	61	Spanner	1
28	Switch	1	62	Wheel Cover	2
29	Spring Washer 2	4	63	Pin	2
30	Switch Frame Plate	1	64	Lower Frame	1
31	Screw	2	65	Axle	1
32	Power Cord	1	66	Washer	4
33	Cord Sheath	1	67	Bushing	2
34	Cord Clamp Plate	1	68	Wheel	2





Great Circle USA
Support Line: 1-866-493-0524
help@greatcircleus.com
www.greatcircleus.com