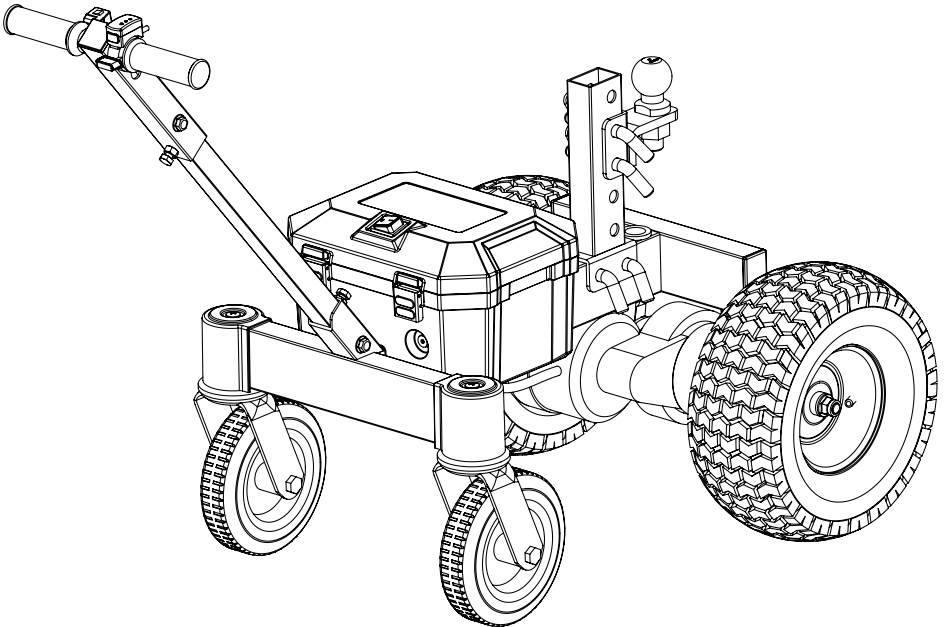




Electric Power Dolly Operator's Manual



WARNING:

Carefully review and understand all **INSTRUCTIONS** prior to operating this device. Failure to follow the safety rules and other basic safety precautions may result in serious personal injury. Keep these instructions in a safe place and accessible so that they can be reviewed as required. Keep these instructions to assist in future servicing needs.

WARNING

- Thoroughly review the "Installation and Operation Guidelines" and familiarize yourself with your electric dolly and its operation.
- Never store the battery pack together with nails, screws, keys and other metallic or sharp objects. These items may cause short circuit of the battery terminal resulting in damage to the battery and may cause a fire, endangering personal safety.
- Avoid contact with any fluid that leaks from the battery. Dispose of all batteries in appropriate manner as these batteries will be dangerous and should no longer be used.
- Be sure to dispose of or recycle the battery according to local regulations.
- Before disposal, be sure to protect the terminal with insulating tape to prevent short circuit.
- Do not disassemble or tamper with the battery in any way. Any such tampering will automatically void your product warranty.
- Do not attempt to charge a damaged battery pack. Please replace it immediately. A damaged battery pack may cause a short circuit or fire.
- Battery packs are covered by manufacturer's product warranty and will be replaced by vendor if product is still under warranty.
- Do not burn the battery pack.
- Do not operate the dolly in an environment containing explosive or combustible materials.
- When the dolly is not in use, be sure to cut off the battery power.
- Be sure to use the charger and lead-acid battery packs provided by SuperHandy only. Other types of batteries may burst and cause personal injury.
- Do not use chargers with damaged wires or plugs. Chargers with such issues should be replaced immediately.
- Do not use the charger provided by SuperHandy to charge other batteries.
- Do not charge the battery in a humid environment, and do not cover the charger with clothes or other items during charging.
- The use of accessories not recommended or provided by the charger manufacturer may lead to the risk of fire, electric shock or personal injury.
- Always charge the battery at a temperature of 32°F-120°F (0°C-49°C).
- Always store the battery at a temperature of 32°F-86°F (0°C-30°C).
- Be sure to disconnect the charger when the battery is fully charged.
- Be sure not to completely discharge the battery. If not in use, be sure to charge the battery every 3 months.
- Be sure not to exceed the maximum bearing capacity of the dolly Trailer Weight: 1620kgs/3600Lb; Tongue Weight: 270kgs/600Lb.
- Be sure to check that the ball head and the ball head cover, which must be securely locked before towing.
- Always use factory-approved installation hardware, assemblies and accessories.
- Do not use the trailer dolly tow a load on a downhill grade, and always ensure that the towing surface is flat and paved, and at a maximum angle of less than 4° when towing uphill.
- Do not use the dolly to move people.
- Do not operate this dolly under the influence of alcohol or drugs.
- Be sure to remove any objects or obstacles that may hinder the safe operation of the dolly.
- When assembling, maintaining or prepping the dolly for storage, be sure to disconnect the power supply from the dolly.
- Be sure not to operate or install the dolly without reading or understanding the operator's manual.
- Do not operate this dolly if you are under 16 years old.

TECHNICAL SPECIFICATIONS

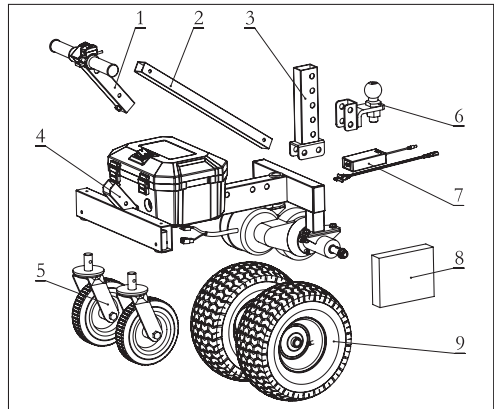
Main Use

SuperHandy electric power dolly is compact in structure and convenient in operation. It is used for towing trailers, RVs, etc. equipped with ball head couplings. It has the functions of forward, backward and steering, and can achieve movement over short distances or in compact spaces.

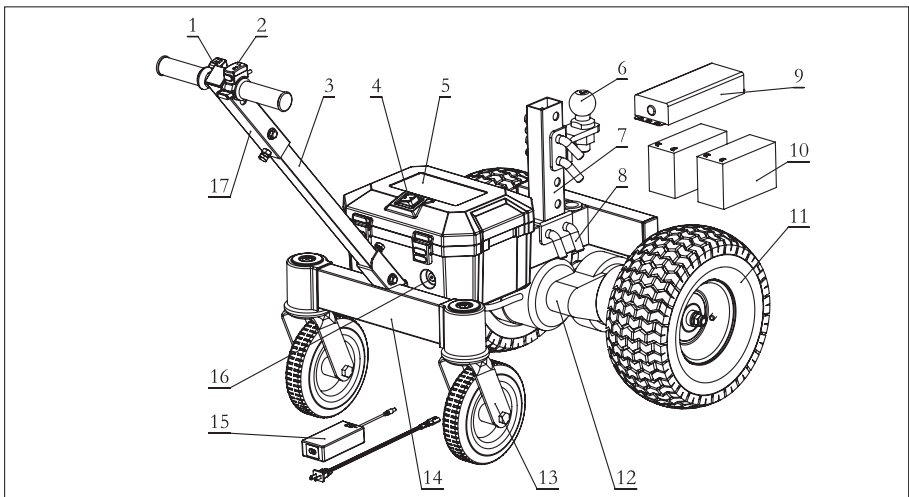
SKU	GUO092
Description	Electric Power Dolly
Power supply	DC24V,7Ah
Power	800W
Maximum bearing capacity	Trailer Weight: 1620kgs/3600Lb Tongue Weight: 270kgs/600Lb
Ball head specification	2"
Size	50"x25"x38" (1262x632x950mm)
Net weight/Gross weight	112/126lbs (51/57 kg)

Product packaging list

1. Handle bar kit
2. Connecting rod
3. Adjusting lever kit
4. Frame & Power components kit
5. Swivel wheels x2
6. Hitch ball kit
7. Charger
8. Accessory pack (M10 nut 2PCS, M10x55 bolt 2PCS, M10x16 bolt 2PCS, M8x16 screw 2PCS, M8 nut 2PCS, wheel cover 2PCS, pin assembly 5/8-in 4PCS)
9. 13-inch rear wheel x2



MAIN COMPONENTS



1. Steering switch: Control the dolly to move "forward" or "backward"
2. Speed regulating switch: Adjust the running speed of the dolly
3. Connecting rod: Connect the handle and the bracket
4. Power switch: "Turn on" or "Turn off" the power supply of the dolly. Please turn off the power supply when not in operation
5. Battery case: With battery and controller placed inside
6. Hitch ball: Connect the towed vehicle with cover
7. Adjusting lever: Adjust the forward, backward, upward and downward positions of the ball head
8. Pin: Lock the adjusting lever
9. Controller: Device to preset instruction
10. Battery pack: Two 12V 7AH lead-acid batteries
11. Rear wheel: Transmit traction force
12. Rear axle motor: Power supply source
13. Swivel wheel: Realize the change of direction
14. Bracket: Fix battery case and rear axle motor
15. Charger: INPUT 100~240VAC, OUTPUT 28.8VDC - 2.0A
16. DC charger socket: Connect the charger
17. Handle bar: Install the control switch

ASSEMBLY

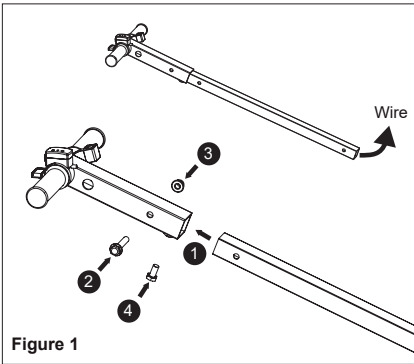


Figure 1

1. Assemble handle bar

Insert the connecting rod into the handle bar assembly, and thread the wire out from the end of the connecting rod (Step 1); Insert M10x55 bolt in alignment with the hole (Step 2); Tighten M10 nut (Step 3); Tighten M10x16 hexagon bolt (Step 4).

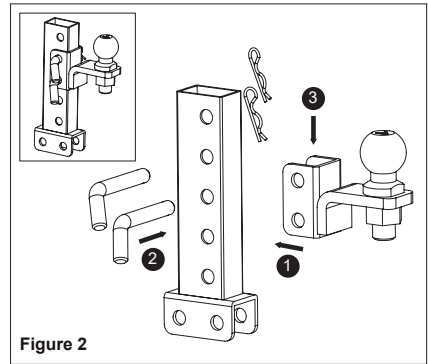


Figure 2

2. Assemble hitch ball

Align the groove of the ball head assembly with the adjusting hole and select the appropriate hole position (Step 1); Insert two bolts (Step 2); Insert two B-pins for fixing (Step 3).

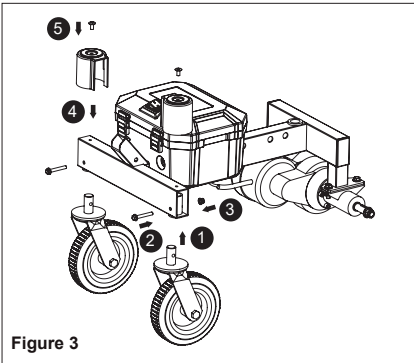


Figure 3

3. Assemble swivel wheel

Align the Swivel wheel fixing shaft with the hole under the bracket (Step 1); Insert M8x55 bolt (Step 2); Tighten M8 nut (Step 3); Put on plastic decorative cover (Step 4) and fix it with M8x16 bolt (Step 5).

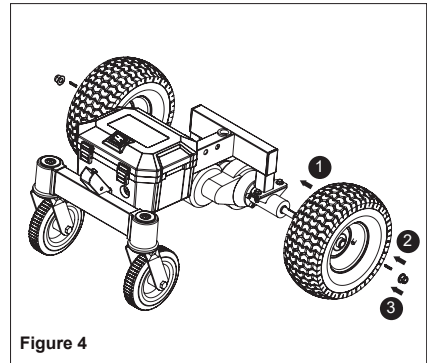


Figure 4

4. Assemble rear wheel

First, remove the plastic sheath on the rear axle transmission shaft, and remove the flat key for later use. Put the inflation port of the rear wheel on the rear axle shaft (Step 1); Align the keyway hole, knock in the flat key (Step 2); Tighten the M14x1.5 nut (Step 3).

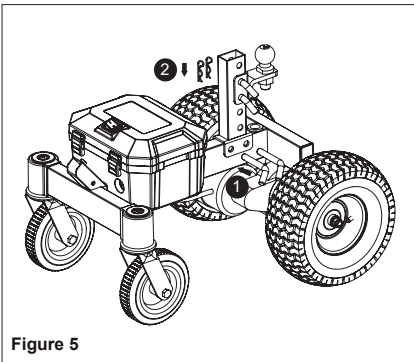


Figure 5

5. Assemble hitch ball adjusting lever

Adjust the hitch ball position (forward, backward, upward and downward) according to the usage scenario, align with the notch selection hole and insert the bolt (Step 1); Lock the B-pin (Step 2).

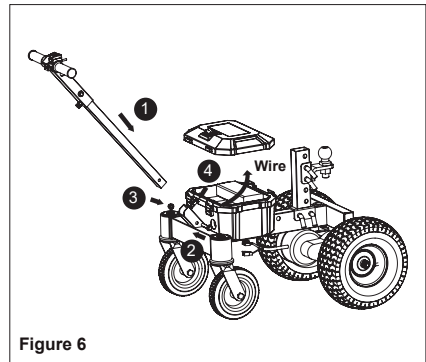
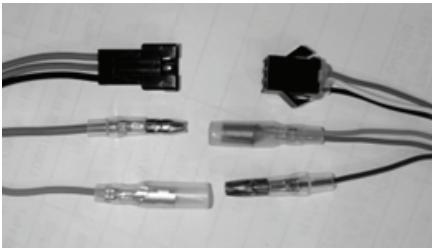


Figure 6

6. Assemble handle bar kit

- a. Insert the wire of handle bar assembly through the square hole at the front end of the bracket and thread it through the round hole between the bracket and the battery case (Step 1);
- b. Align the handle bar assembly with the hole position of the bracket, and insert M10x55 bolt (Step 2); Tighten M10 bolt (Step 3);
- c. Lock it with M10x16 bolt. (Reminder: Auxiliary round holes are set on both sides of the bracket to facilitate the observation and crossing of the wires. The wire can be gently hook or pull)



7. Terminal connections

Insert the terminals for the speed regulating switch, steering switch and controller tightly.

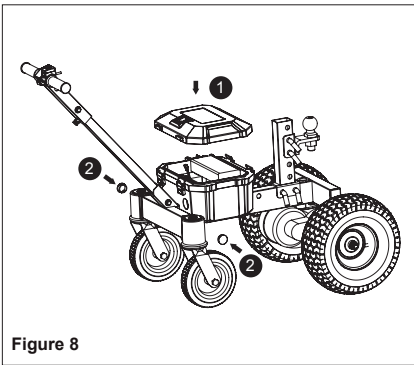
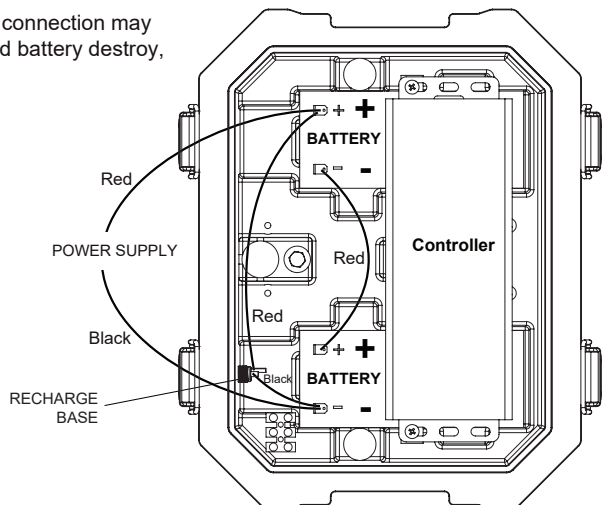


Figure 8

8. After checking that the wiring harness is connected accurately, replace the case cover and secure the buckle (Step 1); Cover the pipe plug for sealing (Step 2).

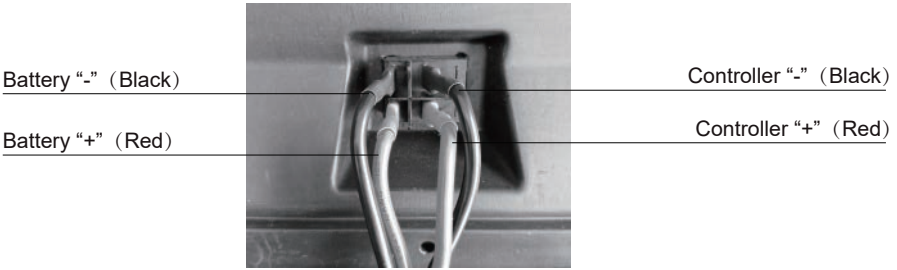
9. Battery cable connection

Caution: Incorrect battery wire connection may cause a short-circuit, it may lead battery destroy, fire or physical danger.



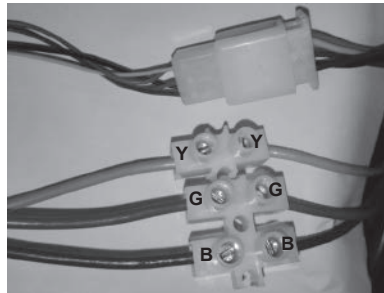
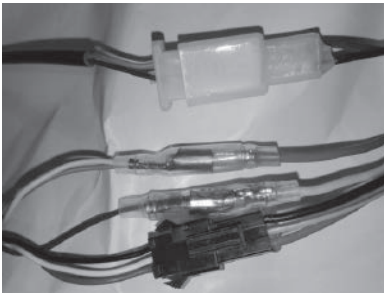
Power Switch Connection

Caution: Incorrect power switch cable connection may cause a short-circuit, it may lead battery destroy, fir or physical danger.

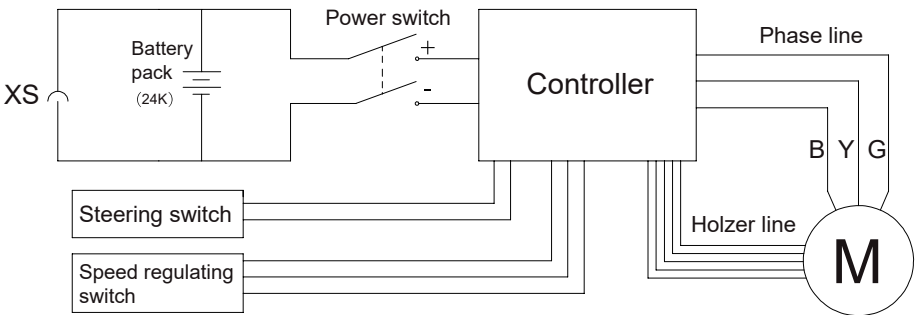


Contol Switch Controller

Motor Connection



Electrical schematic diagram



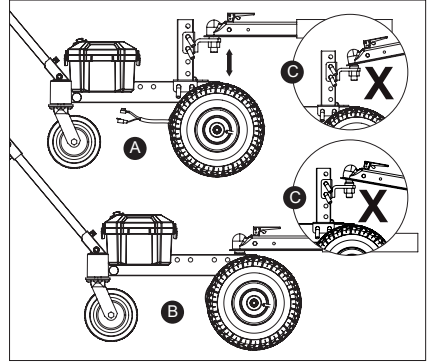
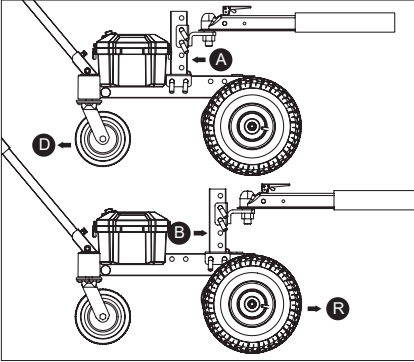
OPERATION

Preparation before operation

1. Before operation, check that all bolts are fastened tightly, and the ball head rod is secured.
2. Be sure that the tires are free of defects such as cracks and bulges, and the tire pressure is kept at $30 \pm 2 \text{psi}$ ($2.1 \pm 0.1 \text{kg/cm}^2$).
3. Be sure the battery is charged in full, and check whether all switches are operated effectively.
4. Perform no-load test run, to confirm that the Swivel wheel rotates flexibly and entire unit moves forward and backward freely.

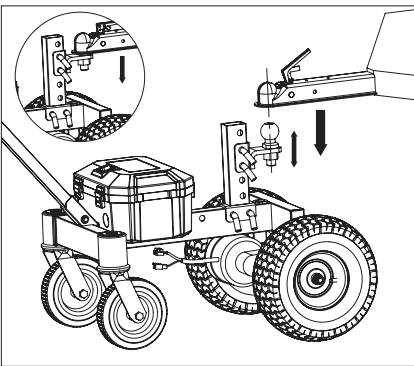
5. Be sure the towed trailer weighs less than 1620kgs/3600Lb, and tongue weight is less than 270kgs/600Lb.
6. The towing road is required to be flat, with an uphill angle of less than 4°. This equipment is not equipped with a brake device, so it cannot be parked on a ramp.

Selection of ball head position

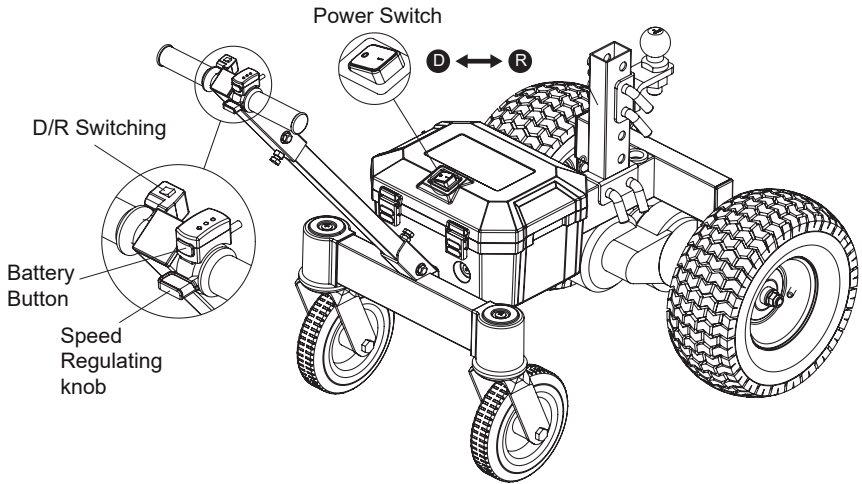


1. In order to exert the maximum traction force of the dolly and ensure sufficient friction between the wheels and the ground, please select a reasonable hitch ball position according to the usage scenario. As shown in the figure, when driving in direction D, please toggle the ball head adjusting lever to position A, and when driving in direction R, please toggle the ball head adjusting lever to position B.
2. The height of the dolly's hitch ball can be adjusted (Figure A), or the hitch ball can be directly installed on the main bracket (Figure B). The range of the ball head height is 16.7"-24.5". When installing the trailer, always ensure that the connecting rod is parallel to the ground. Any inclination will affect the traction efficiency and even pose safety hazards (Figure C).

Traction procedure



1. First, approach the dolly near the trailer's hitch ball cover, and adjust the height of the hitch ball according to the height of the cover, so that the height of the hitch ball is slightly lower than that of the cover. Move the dolly so that the hitch ball is concentric with the Z axis of the cover, and slowly lower the trailer through the elevator, so that the cover is fully engaged with the hitch ball. After confirming the reliable connection between the hitch ball and the cover, lock the safety hook.



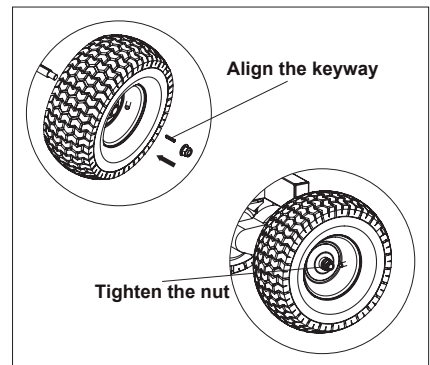
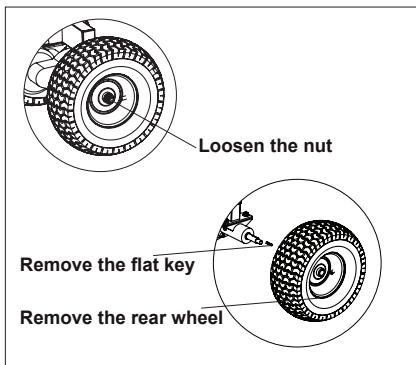
2. Switch on the power switch, and press the battery button on the speed regulating switch (the battery indicator lights up). Pull the steering switch to position "D" for dragging, and position "R" for pushing. Then press the speed control knob lightly, and the dolly starts to move. The moving speed can be controlled by the pressing force (0-2.5km/h Variable).
3. Shut down the power after use. And park the dolly in the correct position. PLEASE RECHARGE THE BATTERY WITHIN 3 MONTHS OTHERWISE THE LEAD ACID BATTERY MAY BE DESTRIED.

Overload protection

The dolly equipped with overload protection system, which will automatically shut down when excess load is detected. Do not try to start while the is dolly overloaded and shut down. Re-start only after the reducing the loading weight.

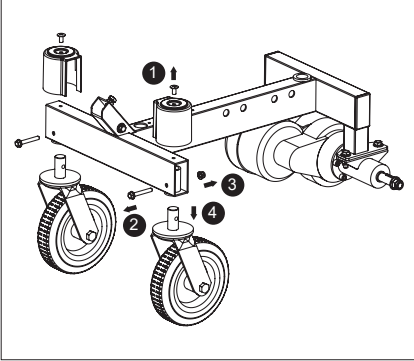
SERVICE GUIDE

Rear wheel replacement

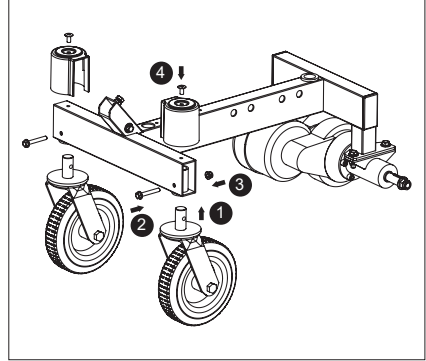


- a. Loosen M14 nut (No.16), knock the rear wheel off alternately from left and right with a soft hammer, and remove the flat key (No.4).
- b. Align the keyway surface, knock in the flat key, sleeve the rear wheel on the rear axle with the inflation port outwards, and tighten the M14 nut.

Swivel wheel replacement

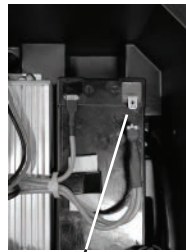
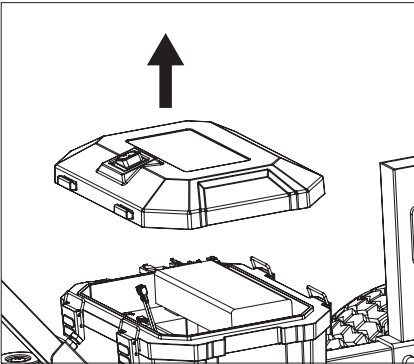


a. Loosen the screws on the wheel cover (No.14) and remove the wheel cover. Then remove M8 bolt (No.13) and nut, and take out the Swivel wheel downwards.



b. Align the fixing shaft of the Swivel wheel with the shaft sleeve in the bracket, insert M8 bolt in alignment with the mounting hole and tighten the nut, and then fix the wheel cover with the screw.

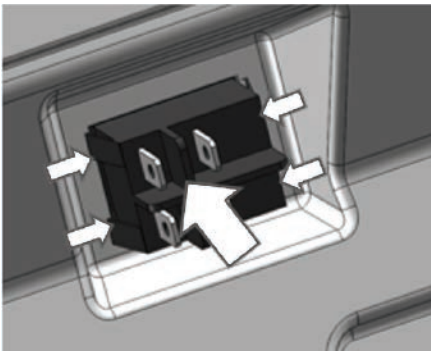
Power switch replacement



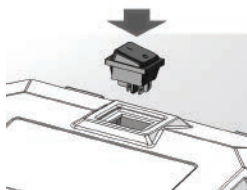
Disconnect



Remove all

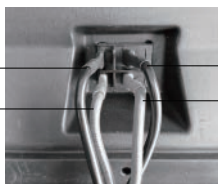


a. Loosen the screws on the wheel cover (No.14) and remove the wheel cover. Then remove M8 bolt (No.13) and nut, and take out the Swivel wheel downwards.



Battery “-” (Black)

Battery “+” (Red)

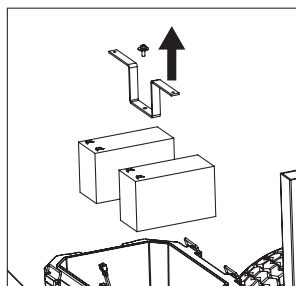
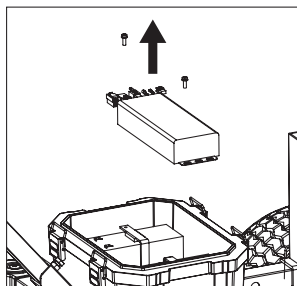
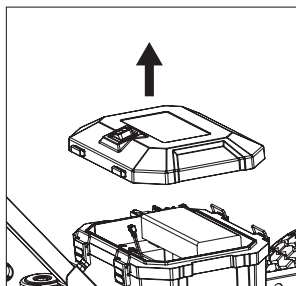


Controller “-” (Black)

Controller “+” (Red)

- b. Align the power switch with the square hole of the cover and directly press it to the bottom to ensure that the chuck is hooked firmly. Plug in the terminal according to the Electrical Schematic Diagram in Section 5.2, and then turn on the power supply after confirmation with no errors.

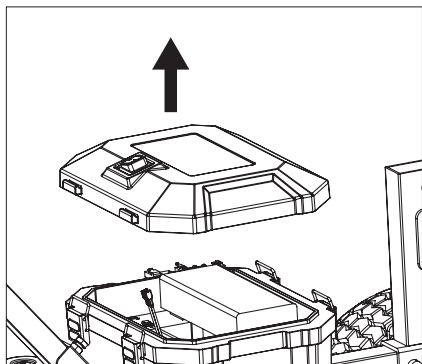
Controller and battery replacement



- a. Turn off the power switch (No.22) and open the battery case cover (No.23). Remove all terminals of the controller (No.34) and the battery (No.27), loosen the screws at both ends of the controller, and then remove the screws on the battery holder (No.21) to take out the battery.
- b. Install the battery and the controller in turn according to the above reverse steps, and connect the terminals according to the Electrical Schematic Diagram in Section 5.2.

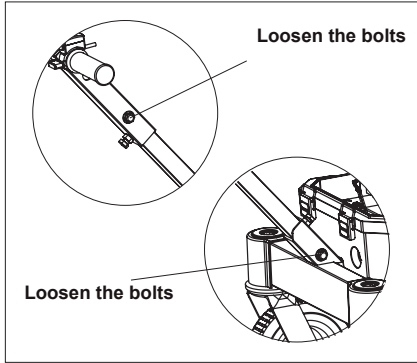
Note: Due to the transportation conditions, please buy NPP 12V 7A of the same specification/-model locally for replacement of the battery.

Replacement of steering switch and speed regulating switch

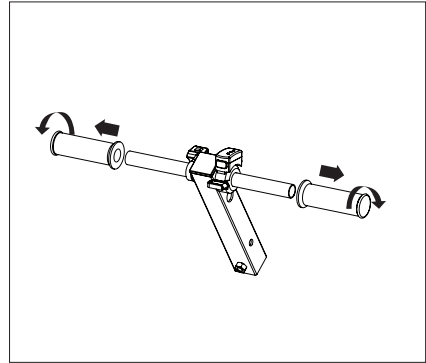


Remove the terminals

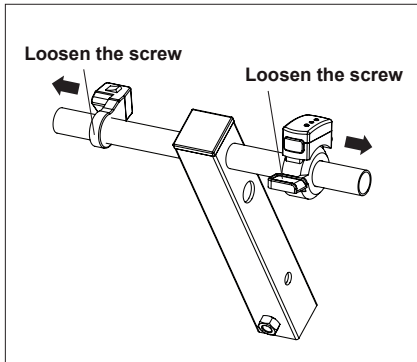
- a. Open the upper cover of the battery case, locate the connecting terminals of the steering switch, the speed regulating switch and the controller according to the Electrical Schematic Diagram, and remove them.



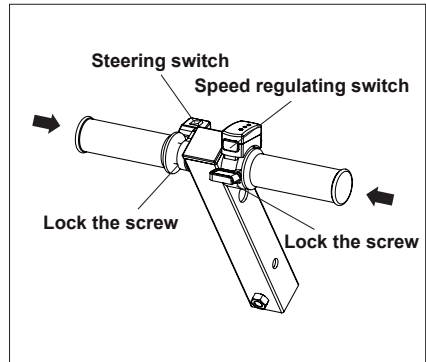
- b. Loosen the bolts between the handle bar assembly and the connecting rod, and between the connecting rod and the bracket, pull out the wires and remove the handle bar assembly.



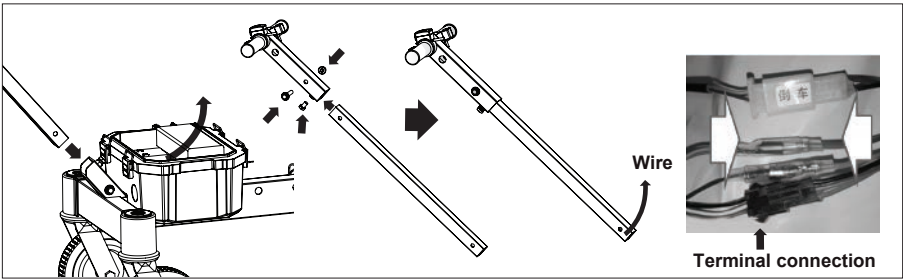
- c. Rotate the handle sleeve and forcibly pull it out. Since the handle sleeve is prone to hardening when the ambient temperature is low, it is recommended to cover it with hot and wet cotton cloth before pulling it out.



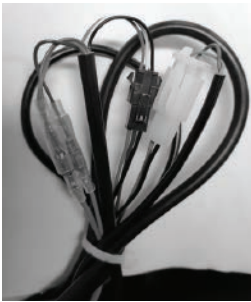
- d. Loosen the lock screw at the lower side of the steering switch/speed regulating switch, and move the switch out. Be sure not to use too much force, and pay attention to protecting the wires and terminals.



- e. Put the new steering switch and speed regulating switch on the handle bar and move them to the appropriate position, lock the lower screw and put on the handle sleeve, thread the wires respectively through the round holes of the square pipes on both sides, and pay attention to protecting the wires and terminals.



f. Thread the wire into the connecting rod, and then through the front end of the bracket into the battery case. Assemble the handle bar assembly with the connecting rod, and the connecting rod with the bracket, and insert the wire terminal with the terminal of the controller tightly.



g. Arrange the excess wires in the battery case, secure them with a strap or zip-tie, and put on the battery case cover.

Note: Please disconnect the charging plug and the tool power switch before the above maintenance operation. Maintenance shall be carried out under the professional guidance of the manufacturer, service agent or similar full-time personnel to avoid danger. Damaged machines, accessories and packaging materials must be treated by classification according to local environmental protection requirements.

MAINTENANCE AND STORAGE

1. For storage, the product shall be stored in a cool, dry and dust-free place, to avoid direct sunlight and rain.
2. During the transportation, loading and unloading of the product, it is prohibited to cast, drop, throw, trample and perform other barbaric operations on the product.

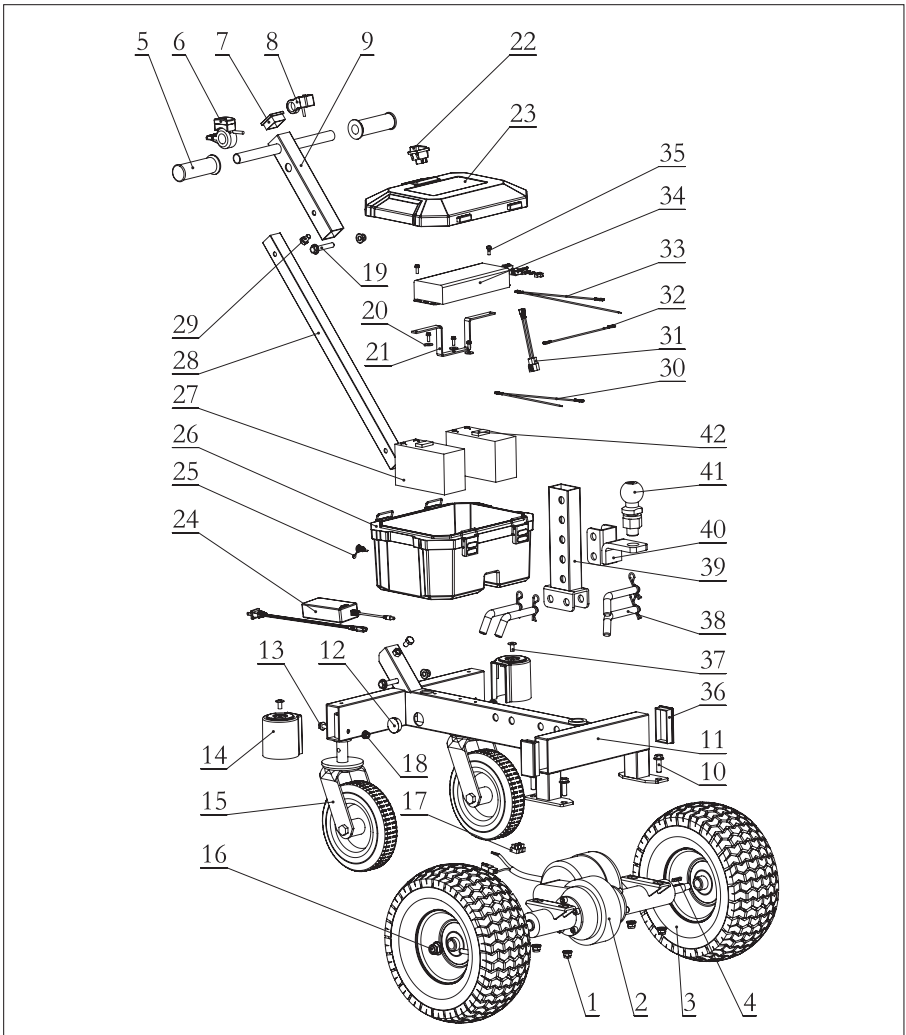
WARRANTY

Twelve (12) months for workmanship of the product, except for wearing parts. Warranty period starts from the product purchase date. Warranty covers material quality and workmanship only. Warranty does not cover product for issues caused by improper usage or any operation not in accordance with the specifications of this manual. Any modification or tampering with the product in any way voids the warranty.

TROUBLE SHOOTING

Problem(s)	Possible Cause	Corrective Action
Power dolly do not works.	Power shut down.	<ol style="list-style-type: none"> 1. Check the battery status make sure it in full . 2. Check the power switch in power on status. 3. Check the connect cable without loose
Power dolly stop during working.	<ol style="list-style-type: none"> 1. Batteries in low. 2. Power dolly overloaded. 	<ol style="list-style-type: none"> 1. Recharge the power dolly in full 2. Reduce the loading weight with the capacity and re-start.

EXPLODED AND PARTS LIST



Part No.	Description	Q'ty	Part No.	Description	Q'ty
1	Hexagon flange lock nut M10	6	23	Battery case cover	1
2	Rear axle 24V~800W	1	24	Charger 24V 2A	1
*3	13-inch power wheel	2	25	DC socket	1
4	Ordinary flat key 5x5x28	2	26	Case body	1
5	Handle sleeve	2	*27	Battery 12V 7Ah	2
*6	Speed regulating switch	1	28	Connecting rod	1
7	Square pipe plug 40*40	1	29	Hexagonal-head bolt M10x16	2
*8	Steering switch	1	30	Wire harness 4	1
9	Handle bar assembly	1	31	Wire harness 2	1
10	Hexagon flange bolt M10x30	4	32	Wire harness 1	1
11	Bracket assembly	1	33	Wire harness 3	1
12	Dome plug Φ 30	2	34	Trailer controller 24V 800W	1
13	Hexagon flange bolt M8x55	2	35	Combined screw M5x16	5
14	Wheel cover	2	36	Rectangular pipe plug 80*40	2
*15	Universal wheel, 8-in	2	37	Screw M8x16	2
16	Hexagon flange nut M14x1.5	2	38	Pin assembly 5/8-in	4
17	Binding post 2P-3	1	39	Adjusting lever assembly	1
18	Hexagon flange lock nut M8	2	40	Hitch ball installation assembly	1
19	Hexagon flange bolt M10x55	2	41	Hitch ball	1
20	Large washer	3	42	White single-sided sponge rubber 35*20*6	2
21	Holder	1			
*22	Power switch	1			

Note: "*" is the quick-wear part of the product.



Great Circle USA
Support Line: 1-866-493-0524
help@greatcircleus.com
www.greatcircleus.com