

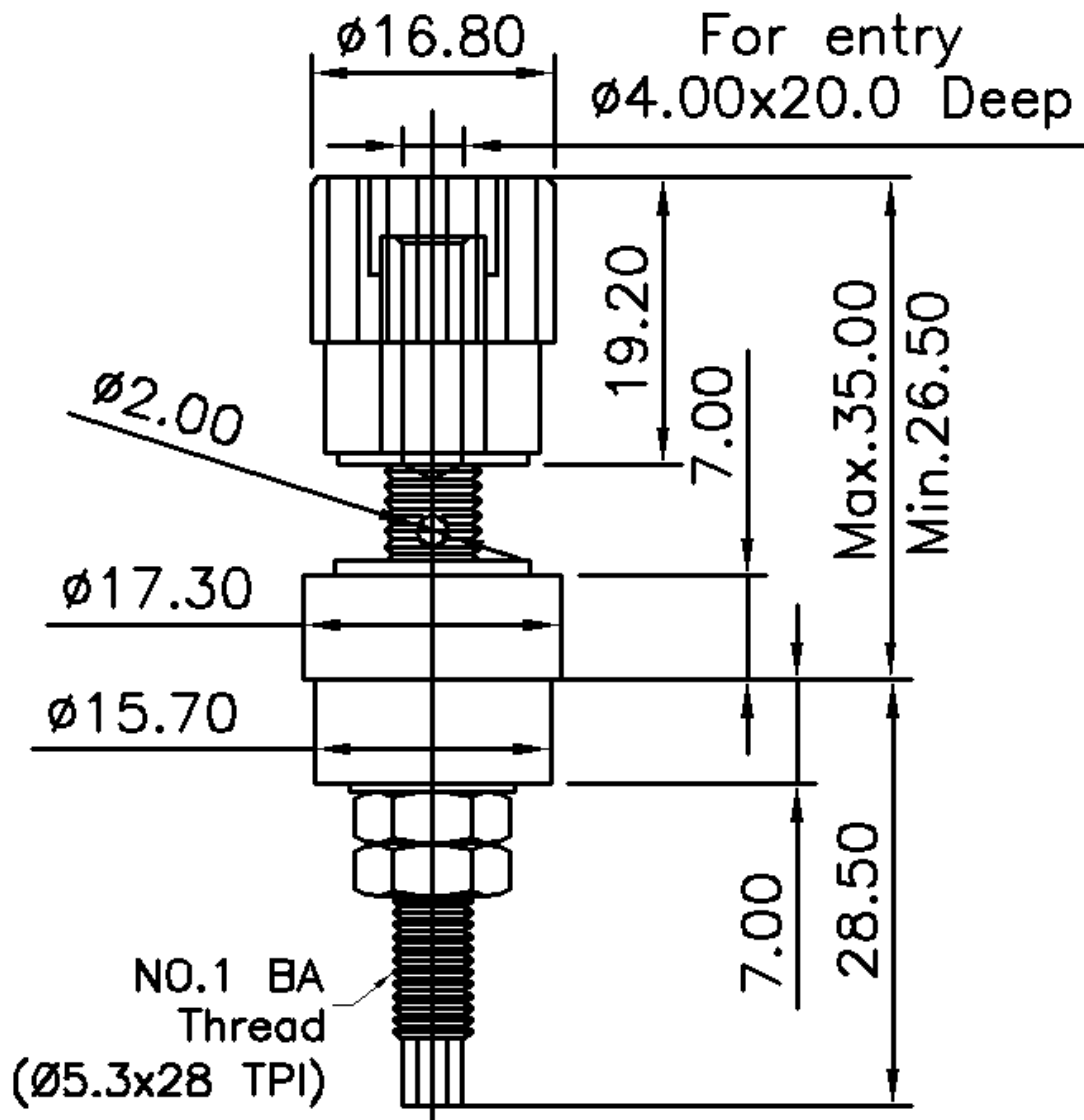
Product Name :Electronic Components / Terminal / BTI-30  
Product Code : BTI-30



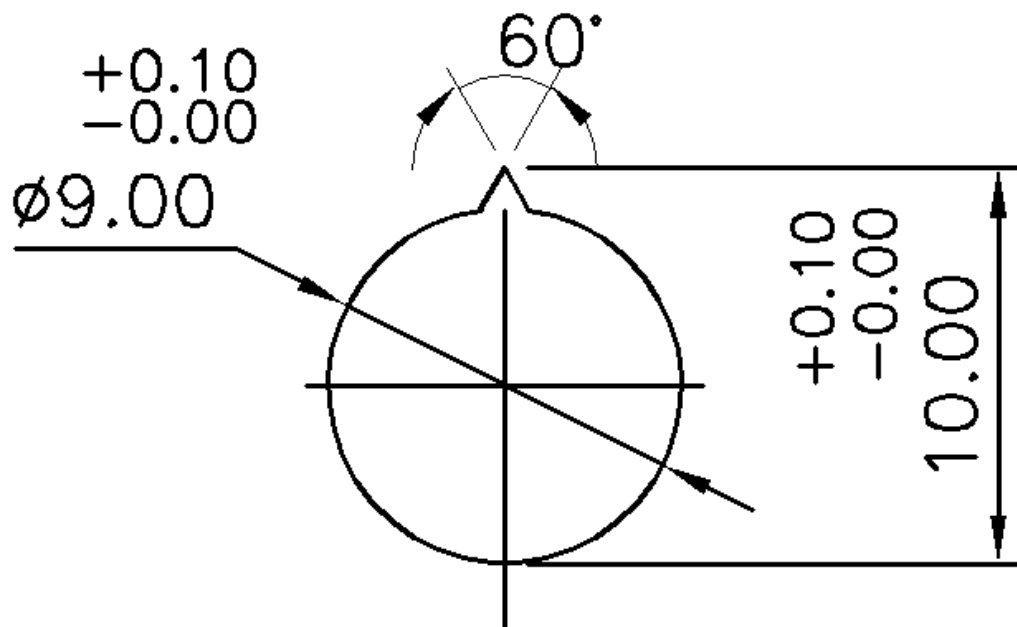
Approvals



### BASIC DIMENSIONS



# PANEL CUTOUT





Specifications

Sr.No	Parameter		Specification
1	Product Category / Description		Terminal
2	Mounting Style		Panel Front Mounting
	Electrical Characteristics		
3	V/A Rating		250V 30A
4	Insulation Resistance at 500 VDC		1000 M ohms Min.
5	H.V.Break Down Test (For 1-Minute)		2 KVAC
6	Contact Resistance (Initial)		5 m ohms Max
	Operating / Functional Characteristics		
7	Operating Temp. Range	With/Without Load	-20°C to +85°C
8	Mounting		Panel, Screw Type
9	Panel Thickness (standard)		2.5 mm Max
10	Terminals (Standard)		Screw - Type
	Material		
11	Body		Nylon
12	RoHS compliant		No (Variety Available Through another code)
13	Colour (Standard)	Colour	Black
14	Current Carrying Parts	(b) Contacts, Terminals	Cu Alloy, Nickel Plating
15	Colour - Other options Available		Black, Red, Blue, Yellow, Green
	Reference Standards / Safety Approvals		
16	Reference Standard		JSS 52710
17	CE Marking		Yes

## ANNEXURE A

<b>Standard Variety</b>				
Sr.no.	With Reference To	Available option	RoHS/Non RoHS	Safety Approvals & / Or Markings
1	Plastic Resin	Nylon	Non RoHS	<b>CE</b>
2	Colour	Black/Red/Blue/Yellow, Green		

<b>Other Customized Options Available On Request, Subject To MOQ &amp; Commercial Acceptance.</b>				
Sr.no.	With Reference To	Available option	RoHS/Non RoHS	Safety Approvals & / Or Markings
3	Variety			<b>CE</b>
4	Colour	Any Colour	—	—