



User Manual

Warranty(24~25)

“Important safeguards/general cautions” are information that can protect the user from safety hazards and also prevent losses. Please be sure to read the manual correctly for proper usage.

- Please read the manual carefully before installation and utilization.
- This product is made for the US and Canada.
- The function and design of the product may be changed for quality improvements.

Contents

Preparation	IMPORTANT SAFEGUARDS 4 General cautions 6 Product structure and designations (Product components) 8 Control designations 9
Operation & Cleaning	Installation and cautions 12 Initial operation 14 Separation of the unit from toilet bowl 15 Basic operation 16 Detailed operation 17 Maintenance 20 Draining water 21 Winter usage 21
Others	Trouble shooting 22 Specifications 23 Warranty 24-25

1 IMPORTANT SAFEGUARDS

• READ ALL INSTRUCTIONS BEFORE INSTALLATION AND USE

DANGER - To reduce the risk of electrocution:

1. Do not place or store product where it can fall or be pulled into a tub or sink.
2. Do not place in or drop into water or other liquid.
3. Do not reach for a product that has fallen into water.
If this happens unplug the unit and then remove item from water immediately.

WARNING - To reduce the risk of burns, electrocution, fire, or injury to persons.

1. Close supervision is necessary when this product is used by, on, or near children or invalids.
Do not use attachments not recommended by the manufacturer.
2. Use this product only for its intended use as described in this manual.
3. Never operate this product if it has a damaged cord or plug or if it is not working properly, if it has been dropped or damaged, or dropped into water. Return the product to a service center for examination and repair.
4. Keep the cord away from heated surfaces.
5. Never block the air openings of the product or place it on a soft surface, such as a bed or couch, where the air openings may be blocked. Keep the air openings free of lint, hair, and the like.
6. Do not use the unit if you are sleeping or tired to the point of being drowsy.
7. Never drop or insert any object into any opening or hose.
8. Do not use outdoors or operate where aerosol (spray) products are being used or when oxidated products are being administered.
9. Unplug this product before filling. Fill (reservoir) with water. Do not overfill (or specify filling instructions)

SAVE THESE INSTRUCTIONS

2 Cautions Before Installation

WIRING REQUIREMENT

THIS PRODUCT MUST BE PLUGGED into a regular voltage Grounded GFCI outlet (North America 120V AC, 60Hz). The rated power consumption is 660W / 600-700W. In locations where only a standard two-prong outlet is available, it is the responsibility of the user to install a grounded three-prong outlet. Using higher voltage is dangerous and may result in a fire or other accident. This product is not responsible for damage resulting from the use of it on other than specified voltage, or operating it without proper grounding.

WARNING

This Product must be on a separated circuit. No other appliance should share the circuit with this product. Sharing a circuit could cause the branch circuit fuse to blow or the circuit breaker to trip. Continuous usage under these conditions may result in fire or property damage.

GROUND INSTRUCTIONS

— This appliance has to be grounded.

This product has to be grounded. In the event of an electrical short circuit, grounding reduces the risk of electric shock by providing an escape wire for the electric current. This product is equipped with a cord having a grounding wire with a grounding plug. The plug must be plugged into an outlet that is properly installed and grounded.

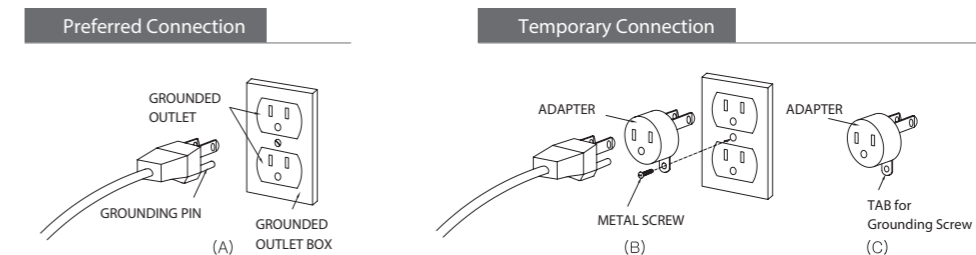
Danger - Improper use of the grounding plug can result in a risk of electric shock.

If repair or replacement of the cord or plug is necessary, do not connect the grounding wire to either flat blade terminal. Consult with a licensed electrician if you have concerns about whether the product is properly grounded.

This product is for use on a normal 120 V circuit, and has a grounding plug that looks like the plug illustrated in sketch A in Figure 1. A temporary adapter, which looks like the adapter illustrated in sketches B and C, may be used to connect this plug to a 2-pole receptacle as shown in sketch B if a properly grounded outlet is not available. The temporary adapter should be plugged into a properly grounded outlet (sketch A) and should be installed by a licensed electrician.

The green colored rigid ear, lug, and the ike extending from the adapter must be connected to a permanent ground such as a properly grounded outlet box cover.

Whenever the adapter is used, it must be held in place by the screw.



- Figure 1-

DANGER

IMPROPER GROUNDING CAN RESULT IN A RISK OF ELECTRIC SHOCK. Electric wiring has to be done in accordance with all local codes, or in the absence of local codes, with National Electrical Codes.

The use of an extension cord is not recommended or advised. If it is necessary to use an extension cord, use only a three-prong extension cord (one to one), and a three slot built-in GFCI receptacle that will accept the plug on this product. The marked rating of the extension cord should be equal to or greater than the electrical rating of the unit (10amp). Consult a licensed electrician if you are not sure whether the unit is properly grounded.

WIRING REQUIREMENT

- Instruction and caution statements for cleaning, user maintenance, operations recommended by the manufacturer, such as lubrication or nonlubrication, and a warning to the user that any other servicing should be performed by an authorized service representative or that the product has no user serviceable parts.

3 General Caution

Warning



Disassembling remodeling prohibited

Do not separate, disassemble, repair or remodel the unit, or allow foreign substances inside the unit.

- This can cause a fire or electric shock.
- Only qualified service personnel should repair this product.



Do not spray water

Do not splash water on the main unit or power cord, and do not utilize it in areas of high levels of humidity.

- This can cause a fire or electric shock.



Grounding

This product must be grounded before usage and plugged into an AC 120V/60Hz power outlet.

- If grounding is not done, it can cause fire or electric shock.



Wet hands prohibited

Do not touch the power cord with wet hands.

- Do not plug or unplug the power cord with wet hands as it can cause electric shock or bodily injury.



Prohibited

Do not supply electrical power to the product until it is installed on the toilet and the water supply hose is properly connected.

- This can cause a fire or damage the product.



Prohibited

Do not connect several power cords into one outlet.

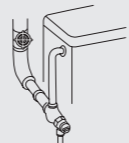
- This unit uses 120V power outlet.
- Can cause overheating or fire hazards.
- Plug in the power cord properly into the power outlet.



Observe at all times

Please use public water supply. Please do not connect the unit to industrial water or greywater.

- This can cause skin infections or urinary tract infections and also damage the unit.



Use of fire prohibited

Keep the cord away from cigarettes or flammable substances.

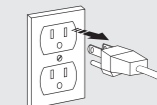
- This can cause electric shock or bodily injury.



Unplugging the power cord

For safety purposes, unplug the power cord either when cleaning the product or detaching the unit from the toilet bowl.

- Failure to do so can cause an electric shock.



Observe at all times

Do not use a damaged power cord or a loosely fitted electric outlet.

- This can cause an electric shock.



Prohibited

- Children, elderly, patients and those who are physically limited should use the low temperature setting for the seat, water and dryer.
- After using the unit at high temperatures, the temperature should be readjusted to 'low' for the elderly, children and for those with sensitive skin.
- Those who cannot adjust the temperature or those who have sensitive skin should take special precautions.



Prohibited

When cleaning, do not use cleaning detergents (**oxidized products, sink products, toilet cleaning products, and any types of stain removers**) on the external surface of the electronic toilet seat, do not spray air fresheners or aromatic products onto seat in attempts to eliminate odors.

- Using cleaning detergents or air fresheners can change the color of the external surface and can also cause problems with the seats functioning

Cautions



Prohibited

Do not stand on top of the seat cover, seat or main body unit. This can damage or break the unit.



Prohibited

- Do not use a broken product.
- As the unit is a bathroom appliance, do not use it for any other purposes.



Prohibited

Do not slam or close the seat or seat cover forcefully.



Prohibited

Prevent children from putting foreign substances or inserting their hands into the dryer outlet or onto the nozzle.



Prohibited

Do not pull the connecting hose forcefully or bend it.



Prohibited

Never put the product in water.



Observe at all times

Do not let urine contact the dryer outlet or nozzle area.



Observe at all times

When cleaning or not using the product over a long period of time, be sure to unplug the unit. (refer to page 19)

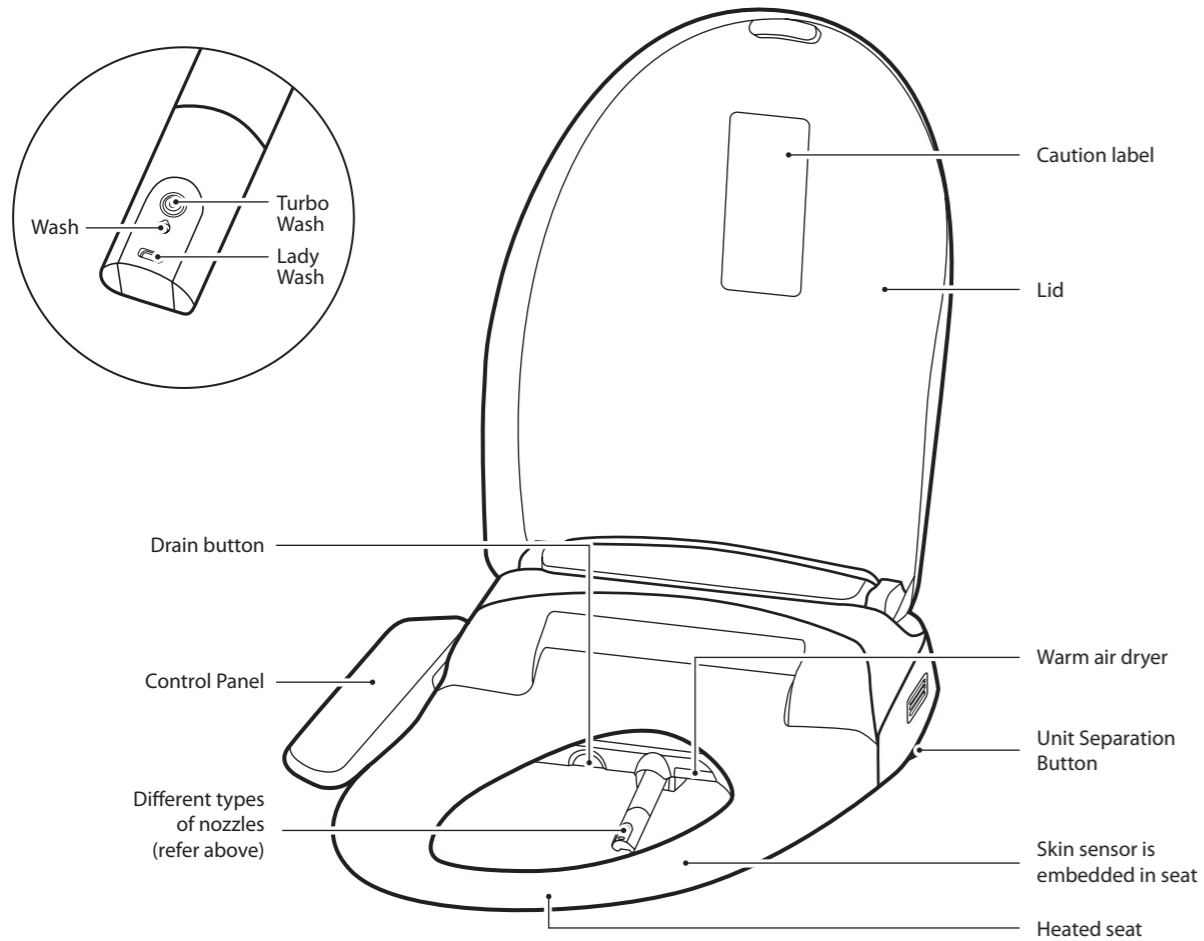


When the following people sit down on the seat, a guardian should pay extra attention so that they will not fall when sitting on the toilet seat or standing up from it.
- Children, elderly, or those who cannot independently sit or stand on the seat.

4 Product structure and designations

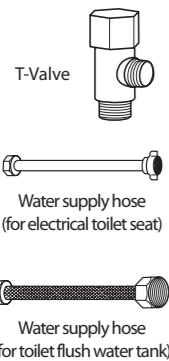
Main unit

ATS-500

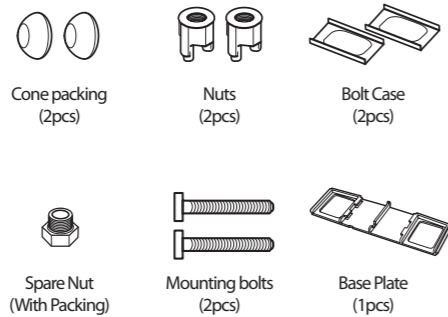


Product components

For plumbing



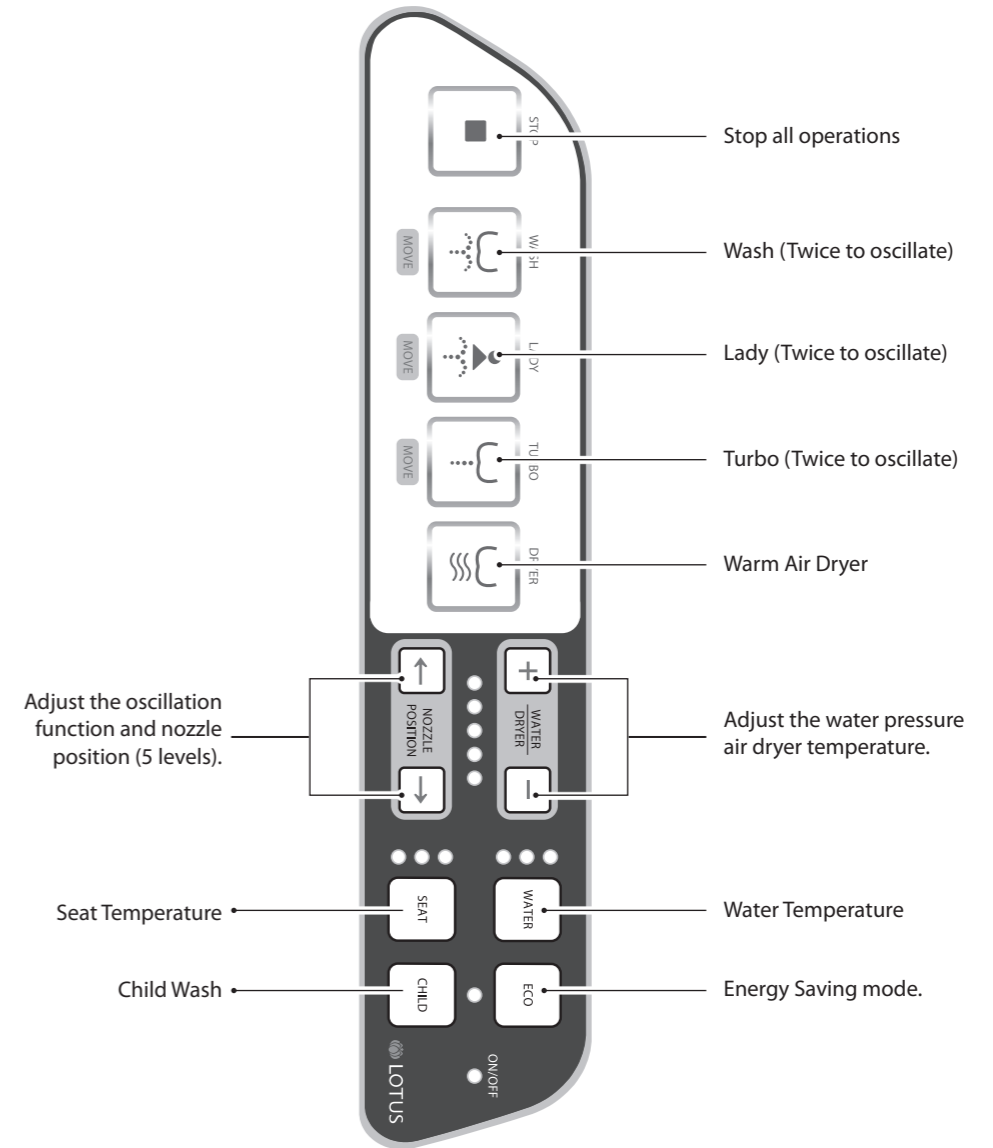
For product fixation



Installation instructions



Control Panel



- Always sit on the middle of the unit and do not sit on the side of the seat. (The basic functions will not work if the skin sensor is not active.)
- When operating For Wash / Lady / Turbo, if the water temperature is low and cold water comes out after using it for a period of time, pause and wait for 3 minutes for warm water to be provided.
- Drying will occur quicker if toilet paper is used to wipe away excess water prior to using the dryer function.

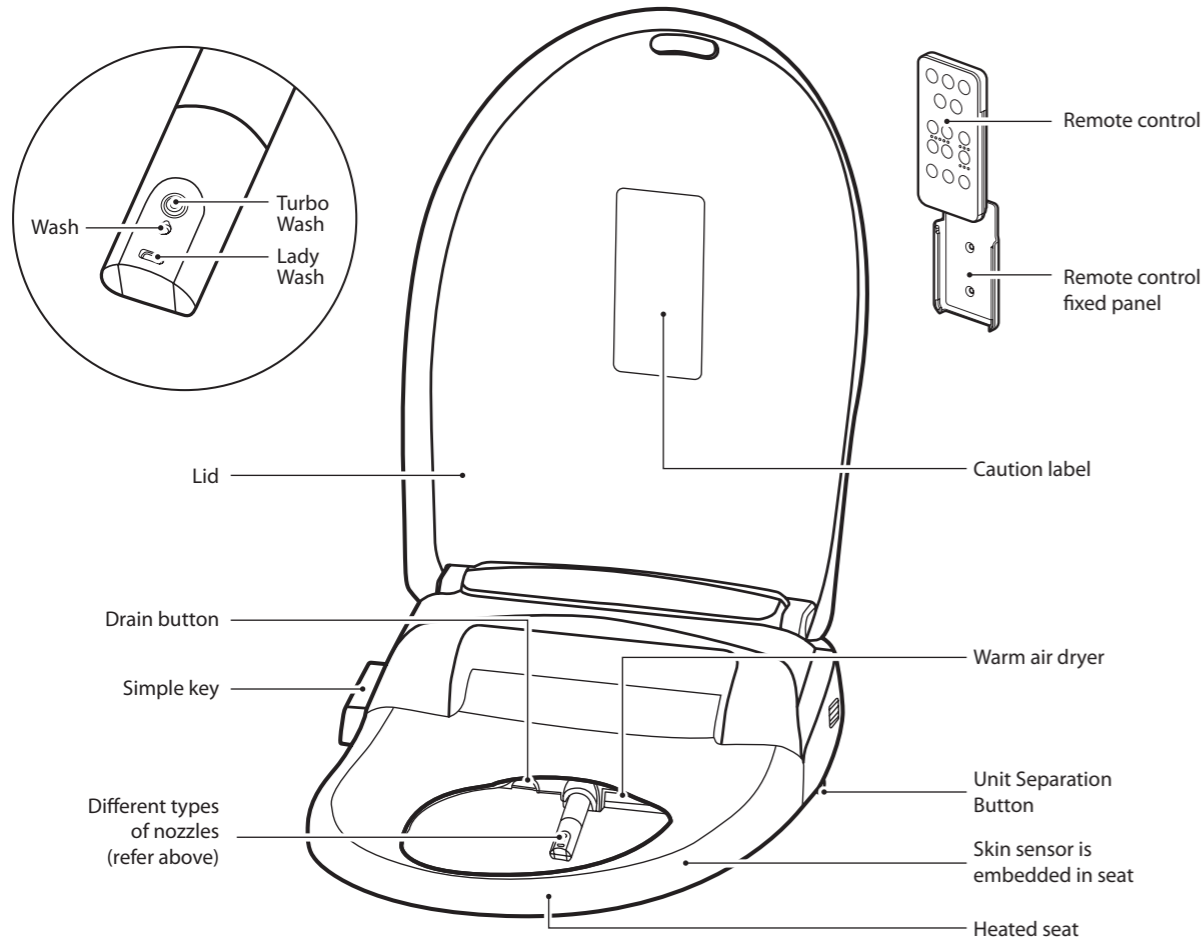


Sitting on the heated seat or using the dryer for an extended period of time can potentially cause low degree burning. Special precautions should be taken for children, those who cannot adjust the temperature, and those who have sensitive skin.

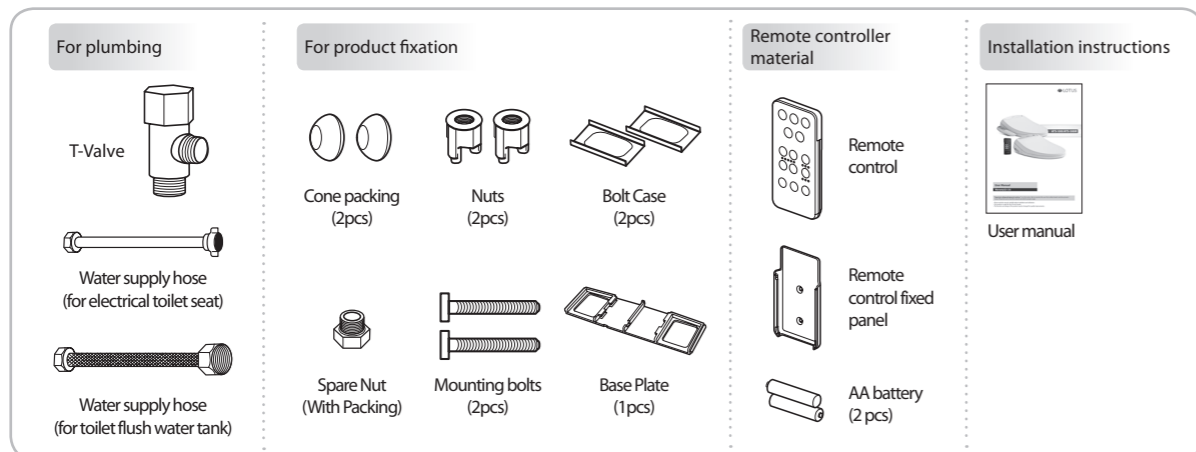
4 Product structure and designations

Main unit

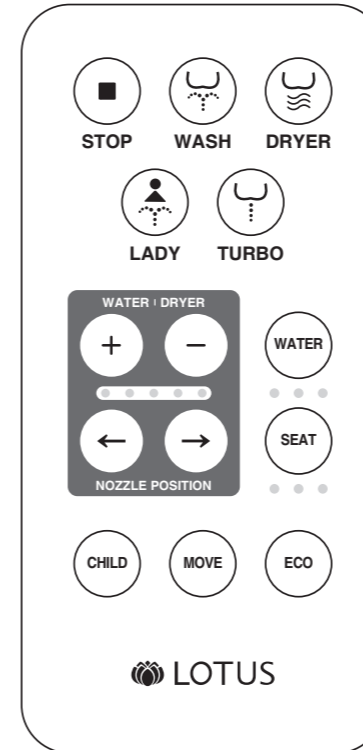
ATS-500R



Product components

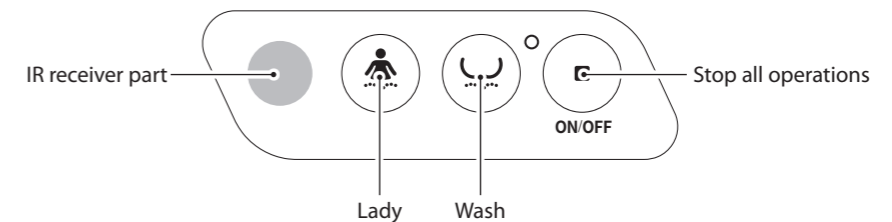


Remote control



	Stop all operations		Wash
	Lady		Turbo
	Warm Air Dryer		
	Adjust the water pressure air dryer temperature.		Adjust the oscillation function and nozzle position (5 levels).
	Water Temperature		Seat Temperature
	Child Wash		Nozzle is operating back and front.
	Energy Saving mode.		

Simple key



- Always sit on the middle of the unit and do not sit on the side of the seat. (The basic functions will not work if the skin sensor is not active.)
- When operating For Wash / Lady / Turbo, if the water temperature is low and cold water comes out after using it for a period of time, pause and wait for 3 minutes for warm water to be provided.
- Drying will occur quicker if toilet paper is used to wipe away excess water prior to using the dryer function.



Sitting on the heated seat or using the dryer for an extended period of time can potentially cause low degree burning. Special precautions should be taken for children, those who cannot adjust the temperature, and those who have sensitive skin.

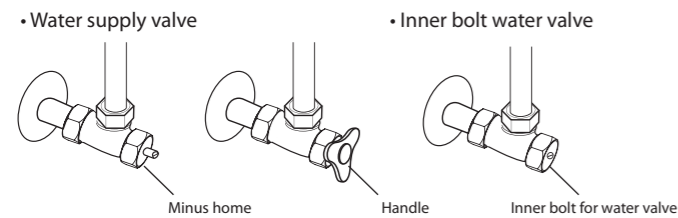
5 Installation

⚠ Caution

- This product requires 120V usage.
- Please do not plug in the electrical cord prior to installation.
- Please consult with a licensed electrician if electrical work is needed, and in case a grounded outlet is not available, grounding should be done in order to prevent short circuits or electric shock.

Check the water valve

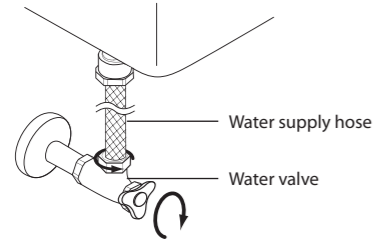
Check the water valve in the bathroom. You may need to consider purchasing additional components. For the following case, the T-valve alone is sufficient for connection.



- Professional engineering is needed for plumbing work on specialized water pipes and flush valve pipes.
- Please consult with a qualified specialist.
- Please put the unused water hose in a secure area.

Installation steps

1 Shut water supply by turning it to the right and disassemble the water hose.

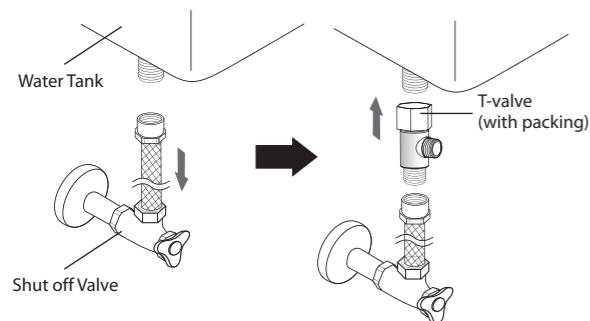


2 Remove existing seat and lid.

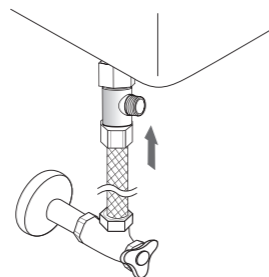
- Release the bolts on both sides of the existing toilet seat to remove the seat and lid.
- Store the removed seat, nut and water hose in a safe area in case you move or it needs to be reinstalled.



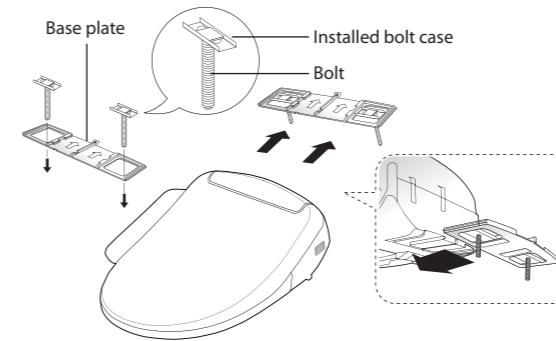
3 Disconnect existing hose from water tank. Connect the T-valve to the water tank.



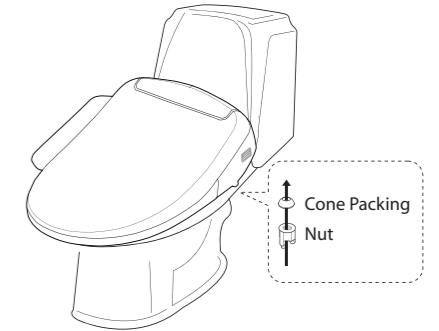
4 Connect the water supply hose to the assembled T-valve.



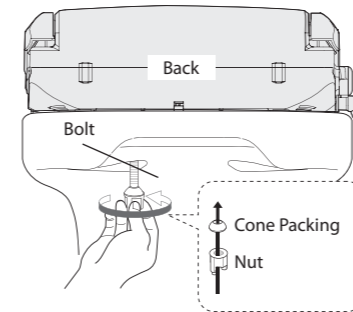
5 Put the bolt into the bolt case and align it with the top of the base plate. Insert bolt with bolt case onto the base plate. After this is done hold the bolts, slide it into the bottom of the unit until it snaps in place.



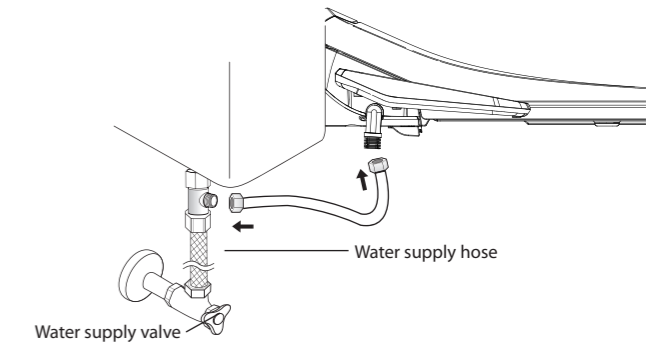
6 Install the main unit and insert the mounting bolts to the toilet mounting holes.



7 Once the base plate is attached to the unit, align the unit and toilet fixture facing front, and then insert the mounting bolts to the toilet mounting holes.



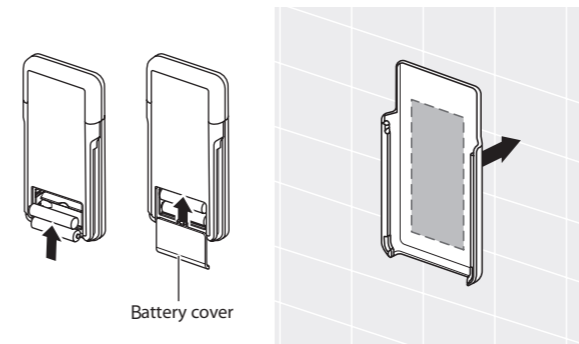
8 Connect the flexible tube from side of T-valve to the unit. Turn the water valve to the left to allow water to flow.



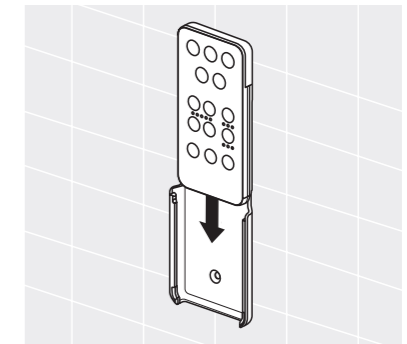
※ Customers should use the new hose set provided with the product. Do not use used set again.

ATS-500R Only

9 Place 1.5V(AA) batteries properly and shut the cover. Take off the cover on the adhesive tape on remote control fixed panel and stick the remote control fixed panel on the wall.

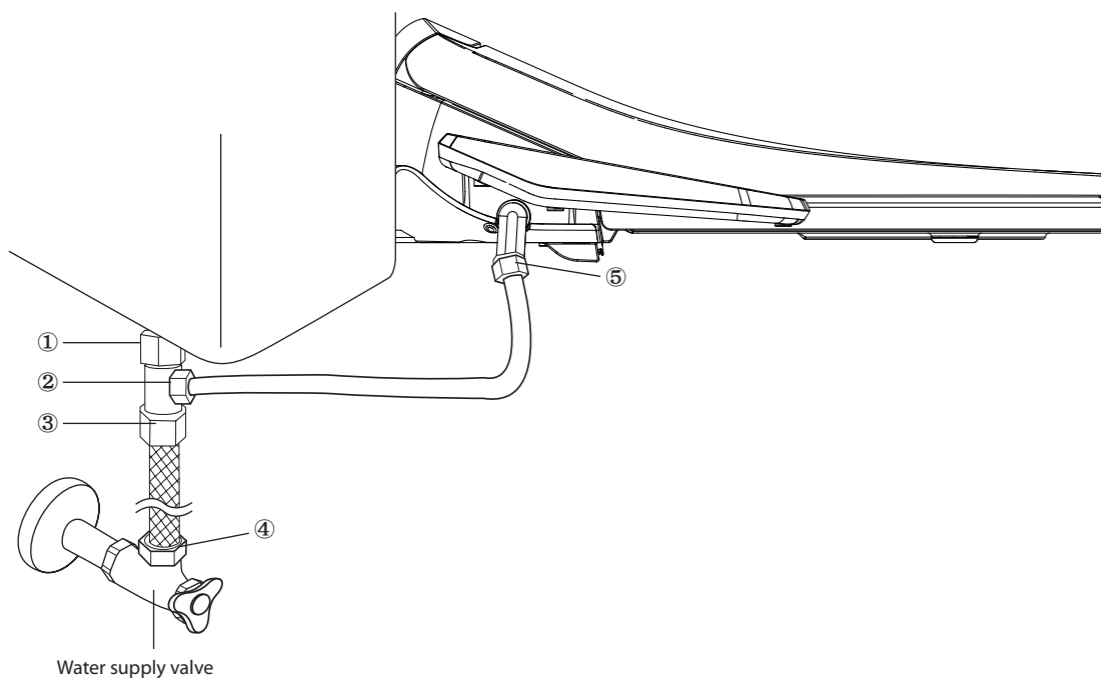


10 Then slide remote control on to remote control fixed panel.





6 Initial Operation

- 1 Turn the water valve to the left and see if there is any water leaking from the hose.(1~5)



- 2 Connect the power cord to the 120V electric outlet.

- 3 If you press  or  button, the water will begin to enter the heated water tank.

- If the tank is full, then a low beeping sound will occur which indicates that preparation is complete.

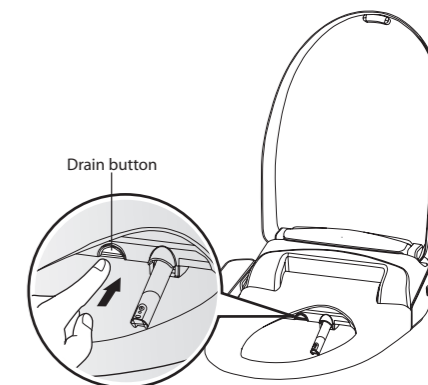
- 4 Function Check

- In order to check whether the functions work, you will first need to touch the seat or sit on it to activate the skin sensor.
- Please be aware that water will come out. This product can only operate when the user sits on the electronic toilet seat.

7 Separation of unit from the toilet bowl

Please follow the instructions below when moving or separating the unit from the toilet for cleaning purposes

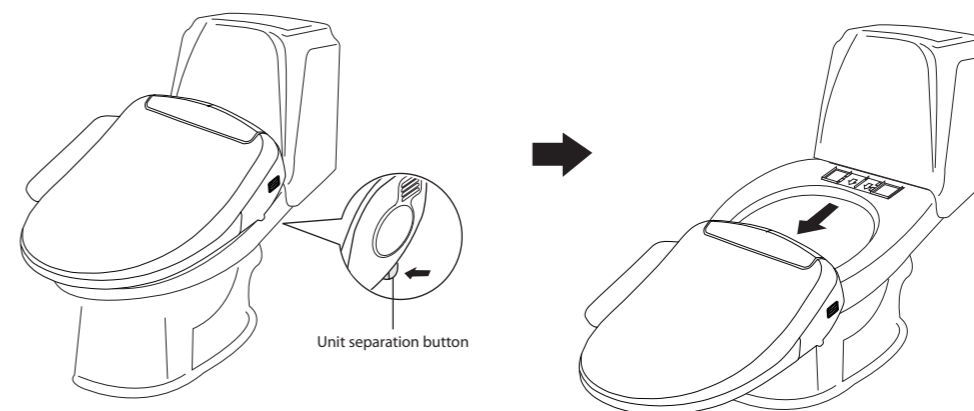
- 1 Disconnect the power plug
- 2 Shut the water supply valve
- 3 Push and hold the button on the right side of the unit to completely drain the water from the water tank.
- 4 Loosen the nut on the hose that is connected to the unit, and then separate the electronic toilet seat from the toilet in the following order as illustrated.



- While pushing the button (area shown as an arrow) push the electronic toilet seat slightly toward to the front and then the body unit will begin to slide out. Next, lightly pull the unit toward the front and it will detach from the toilet.



Do not turn the seat upside-down. This can cause damage to the unit as well as fire hazard.



- 5 Disconnect the T-valve from the water supply. (Refer to page 10~11)
- 6 Connect the water hose to the toilet which was disassembled while installing the electronic toilet seat, and turn the water valve to the left to open it. See if there is any leaking from the water hose connection.
- 7 Re-install the toilet seat and lid that was separated when installing the electronic toilet seat.
 - As explained above, steps 1~4 are instructions for separation of the unit for basic cleaning purposes, and steps 5~7 are instructions for separation when moving, etc.

8 Operation (Basic)

Caution



Cautions

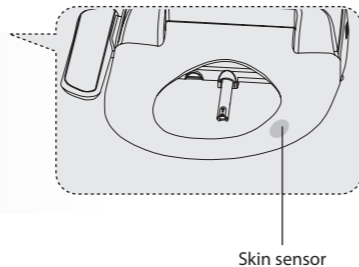
Please press the 'off' or 'low' button for seat temperature when the following persons use it. Special precautions should be taken for children, those who cannot adjust the temperature, and those who have sensitive skin.

Sit on the seat.

- Sit on the toilet seat so that the skin sensor can fully be activated.

Warning

- Do not press the control buttons harder than needed. This can cause damage.
- The skin sensor of the seat is only activated with bodily contact, please be sure to pull down your clothes amply and do not cover the seat with any clothing items, as it can prevent the seat from activating.



Skin sensor

Please press  or , 


- Rear Wash, Lady Wash, Turbo Wash.
- The selected function can be used for up to 1 minute.

Warning

- The wash functions will automatically stop after one minute. If you want to use it continuously press the button again.

Press 

- The display light for the (high), (low) on the control panel will turn on while the dryer is activated.
- The selected function can be used up to 3 minutes.
- Before using the dryer, wiping the wet area with toilet paper will let drying occur more quickly.

Press 



- To Stop Wash, Lady Wash, Turbo Wash and Air Dryer.

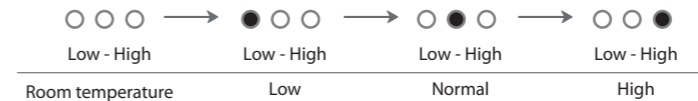
9 Operation (Instructions to operate each function)

Water pressure



- Press \oplus (high), \ominus (low) for the Water/Dryer (Water pressure can be adjusted 1~5 levels.)
- It is recommended that the water filter (strainer) is cleaned periodically, as water pressure can be weakened if foreign substances cling onto the water filter (strainer).

Water temperature adjustment

- When pressing  (WATER) button the display light () will change to allow the adjustment of the water temperature to the desired level.
- Average maintenance time for warm water: This product can maintain the warm water level for up to 50 seconds during a 1 minute wash session.




Seat temperature

- When pressing  (SEAT) button display light () will change. Temperature can be adjusted to the desired level.



Child Wash

- When pressing  (CHILD) button the unit will automatically run Rear Wash for 30 seconds then Dryer for 1 minute.
- This function adjusts nozzle position and dryer temperature for a child's specification.

Nozzle position adjustment

- When using the wash functions use \leftarrow (front), \rightarrow (back) buttons to adjust the nozzle to fit to your body.
- LED level



9 Operation (Instructions to operate each function)

Warm air dryer adjustment

- The (○ ○ ○ ○ ○) display lamp for the Water pressure / Dryer will change when using the dryer function.
- Adjust the dryer temperature by pressing (+) (Strong), (-) (Weak).
- The drying functions can be adjusted up to 5 levels.
- LED level



Energy saver

- When pressing (ECO) (ECO) the energy saver light on the electronic toilet seat will turn on.
- Energy saver mode automatically maintains a water and seat temperature of 89.6.
- If you want to turn off the energy saver function, press the (ECO) (ECO) button again and the display light will turn off.
- The energy saver function will automatically cancel when using the unit during a power outage, and also after standing up from the seat.



During a power outage, the water or seat heating temperature could appear to be lower than the actual temperature setting.

Other energy saving tips

In order to save energy, please abide by the following instructions:

- Keep seat cover closed when not in use to prevent heat from being lost.
- Keep temperature set to low.
- Unplug the power cord if you do not plan to use it for a long period of time.

Oscillate

- The nozzle will automatically move back and forth covering a wider area for washing.
[ATS-500] While using Wash, Lady or Turbo; press the same button again to oscillate nozzle.
[ATS-500R] While using Wash, Lady or Turbo; press the (MOVE) (MOVE) button again to oscillate nozzle.
- Press button again to stop oscillation.
- **Auto-Setting of Oscillation Feature :**
You can set this function to automatically oscillate whenever the seat is occupied and the Posterior or Feminine washes are in operation.
[ATS-500] Press the (←) (Nozzle position 'Front') button for 3 seconds.
[ATS-500R] Press the (MOVE) (MOVE) button for 3 seconds.
(Active single 'beep' sound/ deactivate 'be-beep' sound)

Skin sensor

- User can turn off the skin sensor on the product.
- Deactivation of Skin Sensor :
Press the (■) + (STOP + WASH) button for more than 3 seconds while unseated.
* Press STOP + WASH button on the simple key for ATS-500R.
(Active single 'beep' sound/ deactivate 'be-beep' sound)

Temperature/Eco lock mode (ATS-500 only)

- Warm water temperature, seat temperature, and eco button can be locked.
- Deactivation of Temperature/eco lock mode :
Press the (■) + (ECO) (STOP + ECO) button for more than 3 seconds while unseated.
(Active single 'beep' sound/ deactivate 'be-beep' sound)

Power ON/OFF

- Turn off the product power when the product is not used in long period by pressing (■) (stop/power) button.
*Press stop/power button on the simple key for ATS-500R.
- Power OFF mode ('be-beep')
Press (■) (Stop/Power) button over 3seconds
- Power ON mode ('beep')
Press (■) (Stop/Power) button shortly, while Power OFF mode.

Automated water drainage



- When Power OFF mode is set, and the product is not being used for 72 hours, the product will automatically drain the water in water tank to prevent contamination of germs and mold in water tank.

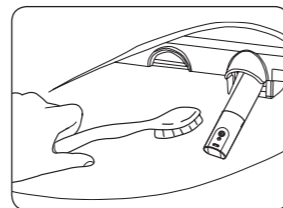
Automatic self cleaning nozzle

- Before and after using For Wash / Lady Wash / Turbo, the nozzle will automatically clean itself.

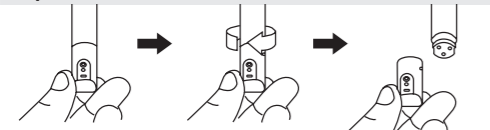
10 Maintenance

Cleaning the nozzle

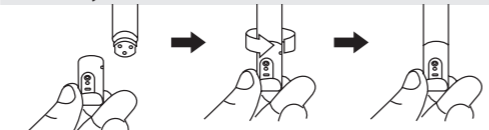
- Please perform the actions below without sitting on the toilet seat
- On control panel press and hold the  button for three(3) seconds and the nozzle will extend. And nozzle stop during two minutes.
- *Press WASH button on the simple key for ATS-500R
- If nozzle tip pulls forward after rotating clockwise nozzle tip, it is separated from nozzle.
- To clean use a soft brush or a soft cloth
- Assemble in the reverse order of when nozzle tip to replace a new nozzle tip or finished cleaning.
- If push  button, nozzle will retracted back to its original position and will perform it's self-cleaning function.



Separation of the nozzle



Assembly of the nozzle



Cleaning the body unit

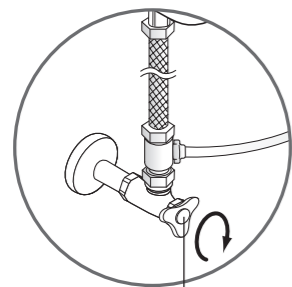
- Beware to not use any bathroom cleaning detergents such as benzene acid chemical detergent on the seat exterior.
 - Using any type of chemical products or rough scrubbers on the electronic toilet seat surface, which is made out of plastic material can either damage or change its color.
- Do not spray water directly or use a shower hose on the main body unit.
 - Can cause fire or damage to the unit.
- When cleaning, the power cord must be unplugged from the power outlet, and make sure water does not contact the cord and/or outlet.
- After cleaning, use a soft cloth to dry the unit.



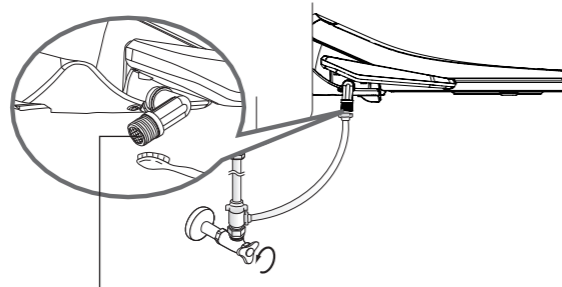
Do not use any cleaning products such as Oxy Clean.

Cleaning the water filter (strainer)

- 1) Close the water shut off valve.
- 2) Flush the toilet to empty the water reservoir.
- 3) Unscrew the water hose nut.
- 4) Clean the strainer with a small brush or water
- 5) Re-screw the water hose nut.
- 6) Open the water shut off valve.



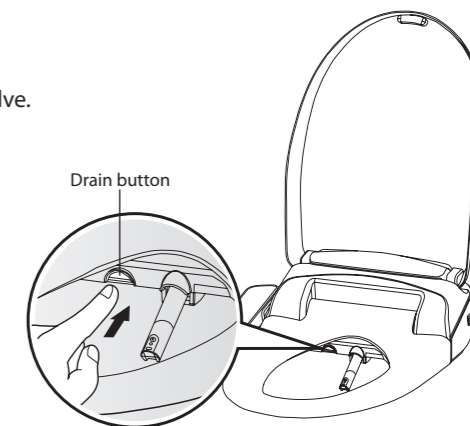
Water supply valve



Water filter (Strainer)


11 Draining water from tank

- 1 Disconnect the power plug.
- 2 Shut the valve by turning it to the right.
- 3 Press the drain lever until the water is completely drained from water tank.
- 4 To re-supply water after draining, open the water shut off valve.



Do not drink the drained water.
Do not insert finger into the drain hole.
Before draining, unplug the power cord and wait 30 minutes until the unit has cooled down.

12 Maintenance for winter season

- 1 Check if the power cord is plugged in securely.
- 2 Adjust the  button to "low" to prevent water from freezing.
- 3 If the product is not used for a long period of time, please disconnect the power cord and drain the water from the internal unit.
- 4 Please do not keep this product outdoors during the winter as the cold temperature may damage the product.



13 Trouble shooting

• Please be sure to check the following aspects before asking for help.

Troubleshooting	Factors to check
The water does not spray	<ul style="list-style-type: none"> • Check if the water tank is filled. • See if the water valve is closed. • Check if the water filter (strainer) is clogged.
The unit is not operating	<ul style="list-style-type: none"> • Check if the power cord is connected. • See if the power is turned off from the main unit. • See if you are correctly sitting on the seat so that the skin sensor switch will function properly. (Make sure that the Skin sensor on the seat touches your skin when you sit on the seat.)
Water is leaking	<ul style="list-style-type: none"> • After checking if the plumbing is correctly connected, if water is leaking from the main unit disconnect and contact service personnel.
Water pressure is weak	<ul style="list-style-type: none"> • Check if the water pressure is set at "low". • Check if the water filter (strainer) is clogged.
Seat, water and dryer is not warm	<ul style="list-style-type: none"> • See if the water temperature is set to "low". • Check if the dryer temperature is set to "low".
When the nozzle doesn't come out	<ul style="list-style-type: none"> • See if the skin sensor on the seat is touching the skin.
When water is cold or warm	<ul style="list-style-type: none"> • Adjust the temperature to (mid, high). • If someone has already used the wash function, wait about 3 minutes to use it. • Sit on the seat for approximately 3 minutes and then use it.
Body unit shakes	<ul style="list-style-type: none"> • Tighten the bolt (do not over-tighten)
Dryer does not work	<ul style="list-style-type: none"> • See if the skin sensor on the seat is touching the skin.

14 Specifications

Specification		ATS-500	ATS-500R
Power rating		120V / 60Hz / 670W	
Water inlet type	Type	Direct Inlet Flow Type	
	Water inlet pressure	0.07 ~ 0.74MPa	
Wash device	Wash	Max. 700cc ± 100cc / min.	
	Lady Wash	Max. 700cc ± 100cc / min.	
	Turbo Wash	Max. 700cc ± 100cc / min.	
	Water pressure adjustments	5 levels	
	Warm water temperature control	Room Temp. ~ Low, Normal, High	
	Heater	600W	
Safety device		Thermal fuse, Thermal switch, Float switch	
Heated seat	Temperature control	Room Temp. ~ Low, Normal, High	
	Heater	55 W	
	Safety device	Thermal fuse	
Warm Air Dryer Device	Warm air control	Room temp ~ 131° F , 5 levels	
	Heater	250W	
	Safety device	Thermal fuse, Bimetal	
ECO		○	
DRYER		○	
Remote control		-	○
Inlet water temperature		41 °F ~ 95°F (5°C ~ 35°C)	
Ambient temperature		41 °F ~ 104°F (5°C ~ 40°C)	
Dimensions	Elongated	Elongated	
	W : 17.3 inch (440mm) L : 20 inch (508mm) H : 6.06 inch (154mm)	W : 15.4 inch (392mm) L : 20 inch (508mm) H : 6.06 inch (154mm)	
Weight (lbs)		9.7 lbs (Packed : 12.8 lbs)	

• The design and function of this product could be changed without notice for the improvement of its quality.

Information to the user

This equipment has been tested and found to comply with the limits for a Class B digital device, pursuant to part 15 of the FCC Rules. These limits are designed to provide reasonable protection against harmful interference in a residential installation. This equipment generates, uses and can radiate radio frequency energy and, if not installed and used in accordance with the instructions, may cause harmful interference to radio communications. However, there is no guarantee that interference will not occur in a particular installation. If this equipment does cause harmful interference to radio or television reception, which can be determined by turning the equipment off and on, the user is encouraged to try to correct the interference by one more of the following measures:

- Reorient or relocate the receiving antenna.
- Increase the distance between the equipment and receiver.
- Connect the equipment into an outlet on a circuit different from that to which the receiver is connected.
- Consult the dealer or an experienced radio/TV technician for help.

WARNING

Any changes or modifications not expressly approved by the manufacturer could void the users authority to operate the equipment and limited warranty.

Warranty

Lotus Hygiene Systems Inc. Limited Warranty

This limited warranty gives you specific legal rights, and you may also have other rights that may vary from state to state or according to other conditions.

General Limited Warranty Covered The Manufacturer, Lotus Hygiene Systems Inc. will warrant to the original retail buyer only, which fails in normal use and within the applicable periods specified below, following the terms of this warranty. Lotus Hygiene Systems Inc. replacement will be warranted to the original purchaser of the products.

The Parts Warranty If the parts fail within Twelve (12) months after original installation following the installation manual and normal operation, Lotus Hygiene Systems Inc. will furnish a replacement part(s).

• This Warranty does not cover the following

1. Defects and/or malfunctions from failure to properly install, operate and/or maintain the unit in accordance with the installation manual.
2. Damage from abuse, fire, flood, freeze, and any other acts of Nature.
3. Damage resulting from unauthorized alterations, attachments and/or repairs.
4. If the product was not installed properly.
5. Damage to the unit by animals, mice or insects.
6. Damage caused by excess moisture or from water clogging the bathroom or restroom.
7. Damage from not being installed in accordance with all applicable local codes, ordinances and good trade practices.
8. Color fading due to use in wrong environment.
9. Damage from chemicals.
10. The warranty will not be covered without providing the date of purchase with original receipt.

WARRANTY REGISTRATION

To ensure your warranty protection, you must complete and return this registration with a copy of the original sales receipt to Lotus Hygiene System Inc. within 15 days after date of purchase to validate your warranty.

Model _____ * Serial Number # _____

Purchaser

Company _____

Address _____

City _____ Country _____

Dealer(Company)

Dealer Code _____

Address _____

**PLEASE
SEND
TO**

1621 E. Saint Andrew Pl.
Santa Ana, CA 92705
www.LotusSeats.com
info@lotusseats.com

* The serial number is located in the lid of the unit.

For warranty
registration, please visit
www.LotusSeats.com



Lotus Hygiene Systems Inc.

www.LotusSeats.com

Tel: 1-877-808-0055

Email: info@lotusseats.com