



## UNITREK STR9017/15TC - 15W

Unitrek single circuit, 15 watt single circuit track spot, with integral dimmable driver and selectable colour temperature

### Application

Ideal for decorative interior or residential designs

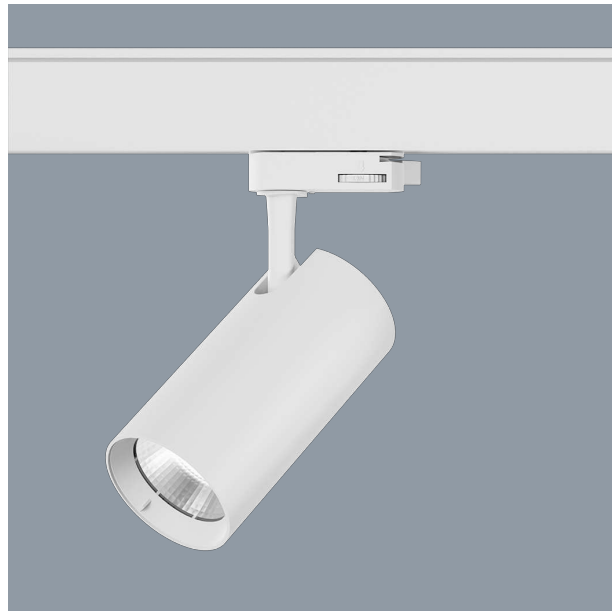
### Design Specifications

- Architectural cylindrical profile
- Aluminium body, colour matt white or black
- High efficiency COB LED chip, CRI > 80, selectable colour temperature 3000/4000/5700K
- Multifaceted reflector system, polycarbonate lens, beam distribution 40 degree.
- 15 watt integral trailing edge dimmable driver, with an ON/OFF switch function conveniently located on the track adaptor.

### Performance

Dimmable - **YES**

Dimmer Type - **Trailing edge**



- SINGLE CIRCUIT
- IP20
- ta25
- DIMMABLE
- 2 YEAR COMMERCIAL WARRANTY
- 3 YEAR RESIDENTIAL WARRANTY
- WARM WHITE 3000K
- COOL WHITE 4000K
- DAYLIGHT 5700K

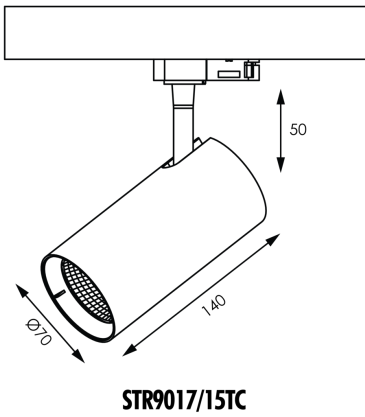
### Technical Specification

Model No.	Input Voltage (V/AC)	Power (W)	Lumens (lm)	CCT (K)	Body Colour	CRI
STR9017/15TC/WH	240	15	1000/1150/1100	3000/4000/5700	WHITE	80
STR9017/15TC/BK	240	15	1000/1150/1100	3000/4000/5700	BLACK	80

Model No.	Beam Angle (°)	Dim (mm)
STR9017/15TC/WH	40	70(W) x 140(H)
STR9017/15TC/BK	40	70(W) x 140(H)

Due to continued product and technology enhancements, data sourced from sal.net.au shall not form part of any contract and or technical performance guarantee unless expressly confirmed in writing by SAL at the time of order. Products are sold in accordance with [SAL Terms and Conditions of sale](#) and all images shown are for illustration purposes only and may vary from the actual colour or finish. Unless specifically stated, all IP ratings nominated for Interior products are from "below the ceiling".

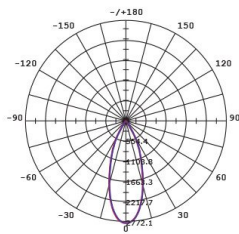
## Dimensions



## Photometric Data

Unit: cd C0/C180 \_\_\_\_\_ C90/C270 \_\_\_\_\_

**STR9017/15W/NDL at 5000K**



# WHO NEEDS AN OLD TIMER CONTROL.

# PIXIE SMART GPO IS SMARTER THAN THE REST.

MULTIFUNCTION  
CONTROL



For more  
information  
please  
scan me

