

**IMPORTANT INSTALLATION AND INSTRUCTION MANUAL**

# Zephyr

40CM WALL COOLING FAN

**MODEL**  
**ZEP40PC/R**



## INTRODUCTION

Thank you and congratulations on your purchase of the Ventair Zephyr Cooling Fan. Please read these instructions carefully before installing and using this product. Keep the instructions handy for future reference.

### READ AND SAVE THESE SAFETY INSTRUCTIONS BEFORE USING THIS APPLIANCE

#### IMPORTANT SAFETY INSTRUCTIONS



**WARNING:** When using this electrical appliance, basic safety precautions should always be followed to reduce the risk of fire, electrical shock and personal injury.

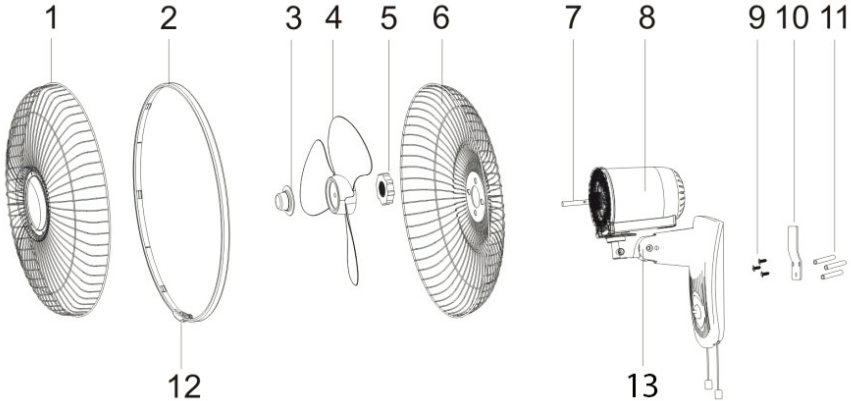
#### TECHNICAL SPECIFICATIONS

**Rated Voltage:** 220-240V~50Hz

**Rated Power:** 65W

1. Use this fan only as described in this manual. Other use not recommended may cause fire, electric shock or injury to persons.
2. This product is intended for household use ONLY and not for commercial, industrial or outdoor use.
3. To protect against electric shock: do not place fan on windowsills or immerse unit, plug or cord in water or spray with liquids.
4. To reduce the risk of fire or electric shock, do not use this fan with any solid-state speed control device.
5. This appliance is not intended for use by persons (including children) with reduced physical, sensory or mental capabilities, or lack of experience and knowledge, unless they have been given supervision or instruction concerning use of the appliance by a person responsible for their safety.
6. Children should be supervised to ensure that they do not play with the appliance.
7. Turn the fan OFF and unplug the fan from the outlet when not in use, when moving the fan from one location to another and before cleaning.
8. To disconnect the fan, first turn the unit OFF, grip the plug and pull it from the wall outlet. Never pull the plug by the cord.
9. Do not operate the fan in the presence of explosive and/or flammable fumes.
10. Do not place the fan or any parts near an open flame, cooking or other heating appliance.
11. Do not operate fan with a damaged cord or plug, or if the product malfunctions, or dropped and damaged in any manner.
12. Avoid contact with moving fan parts.
13. The use of attachments not recommended by the manufacturer may be hazardous.
14. Place the fan on a dry level surface.
15. Do not hang or mount fan from ceiling.
16. Do not operate if the fan housing is damaged.
17. A loose fit between the AC outlet (receptacle) and plug may cause overheating and a distortion of the plug. Contact a qualified electrician to replace loose or worn outlet.
18. Only use on a power supply that matches what is shown on the unit's rating label.
19. If the supply cord is damaged, it must be replaced by the manufacturer, its service agent or similarly qualified persons in order to avoid hazard.

## OVERVIEW



- |                    |                                    |
|--------------------|------------------------------------|
| 1. Front Grille    | 8. Motor                           |
| 2. Grille Ring     | 9. 3x Wall Screws (ST4X25MM)       |
| 3. Blade Cap       | 10. Hook                           |
| 4. Fan Blade       | 11. 3x Wall Plugs                  |
| 5. Rear Grille Nut | 12. Grille Locking Screw (and Nut) |
| 6. Rear Grille     | 13. Tilt Adjustable Head           |
| 7. Motor Shaft     |                                    |

## ASSEMBLING YOUR FAN

1. Remove the Rear Grille Nut [5] from the motor shaft [7].
2. Insert the Rear Grille [6] into the Motor [8] and match 3 rods on the front side of the motor to 3 holes of the Rear Grille [6], and fasten the Rear Grille [6] tightly by turning the Rear Grille Nut [5] clockwise.
3. Insert the Fan Blade [4] to the motor shaft [7] and ensure the pin enters the fan blade slot and tighten the fan blade using the Blade Cap [3] turning anticlockwise.
4. Fix the Front Grille [1] into the slot of the Grille Ring [2], and plug both parts to the upright position on the Rear Grille [6], then secure them together using the Grille Ring.
5. Tighten the Grille Locking Nut and Screw [12] to fix the two grilles together securely.

## **MOUNTING ON THE WALL**

**If unsure, ask someone with experience to help you mount the fan.**

1. Select an appropriate location (consider Power Cord length, and length of Pull-Controls) and fix the hook [10] onto a strong wall (or locate a stud behind plaster boards) with the three wall plugs [11] and screws [9] – you will first need to drill holes in the wall that match the hook [10].
2. Mount the fan on the hook, and then plug in the unit.
3. If the power cord is hanging loose between the fan and the power outlet, make sure it cannot touch or obstruct fan blade rotation or fan oscillation at any time.

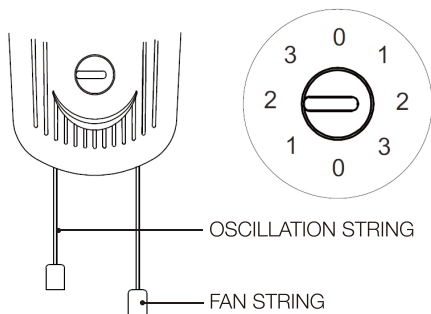
## **OPERATION**

- Please ensure the unit is in the (OFF) position before plugging into the power socket.
- The unit should be tightly fixed on the wall.
- Avoid overloading the circuit by not plugging other high wattage products into the same power socket.

## **TILT ADJUSTMENT**

- To adjust the vertical angle of the fan, turn it off then grip top and bottom of the grille firmly and tilt.

## OPERATION GUIDELINE (Pull Cord Version)



## OPERATION

### OSCILLATION STRING:

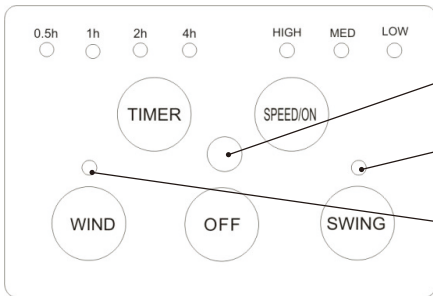
- Pull on the string to switch Oscillation on/off.

### FAN SETTING STRING:

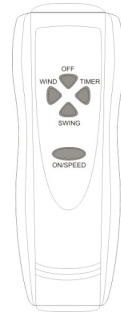
- Pull on the string to switch the fan on. At first start-up the fan will operate at low speed.
- Pull on the same string a couple of times to reach desired fan speed. Choose between Low(1), Medium(2), High(3) fan speeds.

## OPERATION GUIDELINE (Remote Control Version)

DISPLAY & CONTROL PANEL



REMOTE CONTROL



## OPERATION

### TIMER:

- When the unit is in use, you can set the Timer to turn off the fan after the specified time. Press this button repeatedly to increase the Timer setting in 0.5 hour increments (up to a maximum of 7.5 hours) as indicated on the LED Display. After 5 seconds, the Timer starts. Once the Timer has run out, the unit will turn off.

### SPEED/ON:

- Press this button to start the fan at 1 Speed, in Normal Mode.
- Press again to switch the fan speed from 1-2-3.

### WIND:

- Press to select Normal Mode, Natural Breeze Mode or Sleep Mode (as indicated on the Display).

### NATURAL BREEZE Mode:

- Fan speed varies automatically to simulate a breeze, and wind style indicator is off light.

### NORMAL Mode:

- Fan operates at the speed selected with "SPEED/ON" button, and wind style indicator shows RED.

### SLEEP Mode:

- Fan speed varies automatically for use during sleep, and wind style indicator shows green.

### OFF:

- Press this button to turn off the fan.

### SWING:

- Press to switch Oscillation on/off.



## CLEANING

### Caution:

- Always switch off and unplug the fan before cleaning.
  - Do not use harsh detergents, chemical cleaners or solvents as they may damage the surface finish of the components.
1. Loosen the Grille Locking Screw and remove the Grille Ring to detach the Front Grille.
  2. Use a soft duster or a rag to dust off all the surfaces.
  3. Wipe all the parts with a soft damp (not wet) cloth dipped in mild soapy water.  
**Caution:** Ensure that water doesn't get into the Motor Unit.
  4. Use a dry cloth to thoroughly dry the fan before switching on again.

**Make sure that the fan is completely assembled before switching on again.**

## STORAGE AND DISPOSAL

If you do not plan to use the fan for extended periods of time, it is recommended that it is cleaned and stored (preferably in its original packaging) in a cool, dry place. Do not dispose of electrical products with household waste. Please check with your local council for advice on disposal or recycling. If electrical appliances are disposed of in landfills or dumps, hazardous substances can leak into the groundwater and get into the food chain, damaging your health and well-being.

## WARRANTY

12 month replacement warranty. See Warranty Card for more information.



**4 CAPITAL PLACE CARRUM DOWNS VIC 3201**

[www.ventair.com.au](http://www.ventair.com.au)