

# Instructions

## INSTALLING THE TIMER

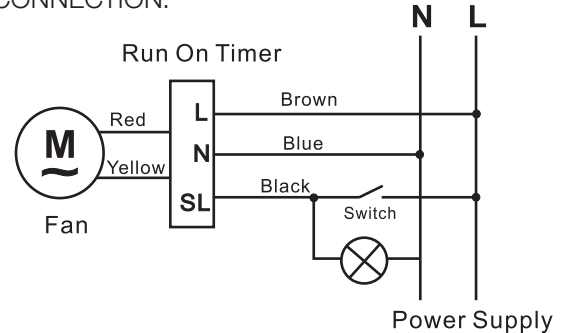
The timer module is designed to fit within a wall mounted electrical flush box or alternatively is located within a fan assembly.

In both cases all wiring and installation should be completed by a qualified electrician complying with national wiring practices and using regulation terminal blocks to connect supply conductors.

## Features

- The fan timer is a solid-state electronic timer designed to interface with most fans up to 200 W with shaded pole and induction motors.
- This model is equipped with a timer which allows the fans to run on after the switch has been turned off. The timer has been factory set at 3 minutes but can be adjusted from 1 - 25 minutes depending on individual application requirements.
- Can be fitted to new or existing fans.

## TIMER WITH LIGHT WIRING CONNECTION:



## TIMER WITHOUT LIGHT WIRING CONNECTION:

