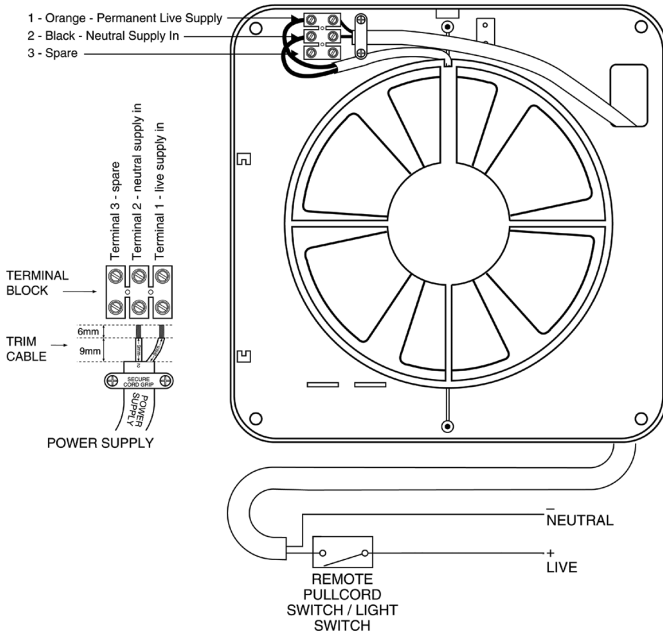
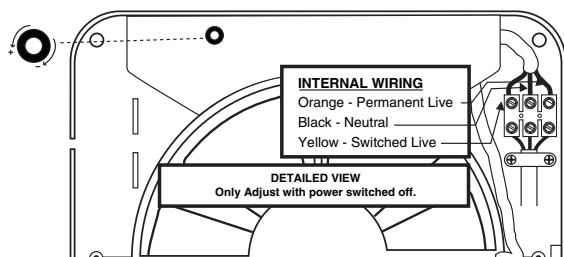



## DIAGRAM 3: Auto Shutter Models



**IMPORTANT NOTE:**  
If your fan is equipped with auto shutters it will be fitted with a thermally activated mechanism that opens and closes the shutters. When the unit is turned on/off the automatic shutters will take approximately 45 seconds to respond.

## DIAGRAM 3A: Timer Adjustment for Auto Shutter Fans



**Timer Adjustment** Any fan with a time delay fitted will run approximately one minute after it has been switched off. The time delay can be increased by firstly switching off the power to the fan, remove front cover, and insert a small allen key in to the slot, marked  in Diagram 3A, and turning clockwise to reduce the time and anti-clockwise to increase the time. Only adjust with power switched off.

The minimum time the timer will run for is 20 seconds and the maximum is about 30 minutes.

We reserve the right to change specification without prior warning



**ventair**  
THE AIR MOVEMENT SPECIALISTS

Manrose is proudly distributed by Ventair Pty Ltd  
4 Capital Place, Carrum Downs, 3201 VIC, AUSTRALIA.  
Technical Support (03) 9775 0556  
e: [info@ventair.com.au](mailto:info@ventair.com.au) | [www.ventair.com.au](http://www.ventair.com.au) | [www.manrose.com.au](http://www.manrose.com.au)

FAN0120/0127/0135/0136 Wall Fan and Kits IM Iss:01 03/20

## INSTALLATION INSTRUCTIONS

**MANROSE**  
CLASSIC SERIES

### FAN0120/0127/0135/0136 Wall Fan and Kits

Thank you for selecting our Manrose 150mm Wall/Ceiling Fan.  
Please read all instructions before commencing installation.

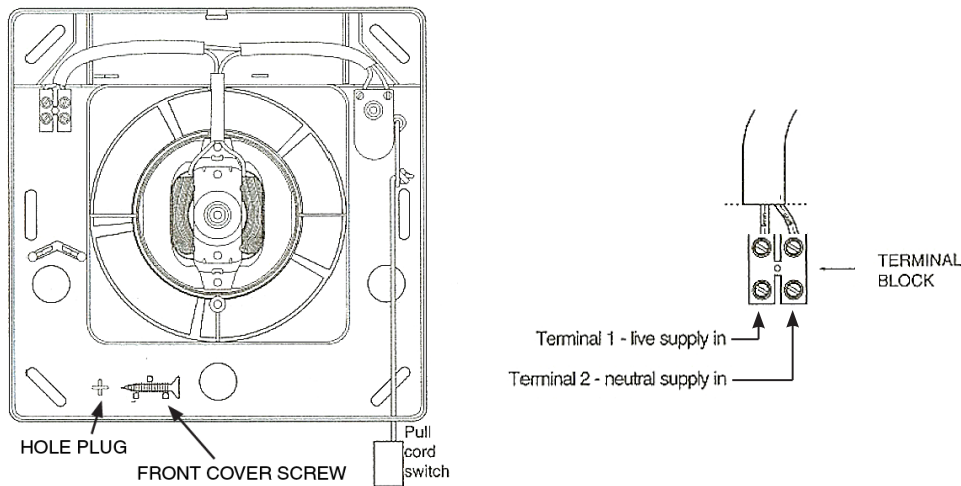
- NOTE: (i) The fan is to be installed so that the blades are 2.1m above the floor. For best results this Extractor Fan should be fitted as high on the wall as possible, or if preferred, on the ceiling.  
(ii) Do not install the unit within a shower cubicle. Use our shower fan SF150 models  
(iii) Switch off mains supply before making electrical connections. This system should be installed by a qualified electrician.  
(iv) This fan is double insulated and does not require an earth.  
(v) When installing fan through an external wall, an external wall grille must be fitted at all times.

1. Cut a 160mm diameter hole in the wall. If the fan is to be fixed onto the ceiling ensure that the hole is between the joists.
2. Fit 150mm ducting flush to the plaster.
3. Remove the cover from the fan by simply unclipping the fascia. The front cover screw and plug are conveniently located within the fan housing as shown in diagram 1 & 2.
4. Hold the body of the fan against the wall or ceiling and mark the four screw holes and the cable entry. **IMPORTANT:** Ensure that the fan is square on wall or ceiling.
5. Bring power cable into position, as marked. Allow an extra 230mm (9") protruding to facilitate connection. Fan should only be installed by fixed wiring, a flexible cord should not be used.
6. If an XP150 kit - Select a suitable position on the outside wall for the weatherproof cowl. Carefully remove the cowl from its housing by levering gently at the sides with a small screwdriver. Cut a 160mm hole ensuring first that the area is free from obstruction.
7. **Wiring of Standard/Pullcord Model (see diagram 1)**  
**(Pullcord model unsuitable for ceiling mounting)**  
The fan can be connected to the light switch so that the fan will start when the light is switched on. The fan should not be accessible to a person using either the shower or the bath.

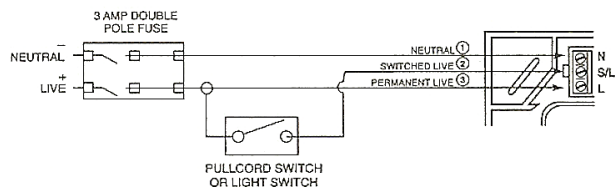
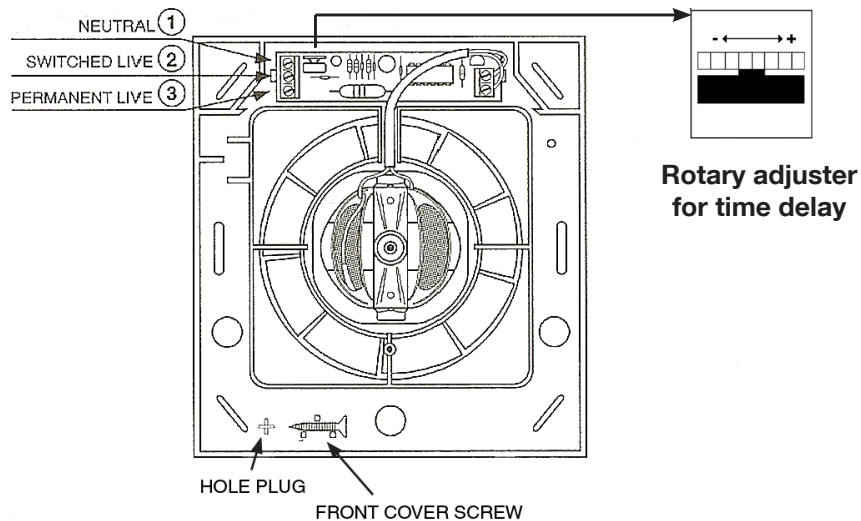
**NOTE:** All wiring must be fixed securely and the cable to the fan should be a minimum of 1mm<sup>2</sup> in section. All wiring must comply with current Regulations. This system should be installed by a qualified electrician.

8. **Wiring of Timer Model (see diagram 2).**  
The fan can be connected to the light switch so that the fan will start when the light is switched on. When the light switch or pullcord is switched off the fan will run for between 20 sec & 30 minutes (pre-set to 1 minute). The fan should not be accessible to a person using either the shower or the bath.

**DIAGRAM 1: Standard & Pullcord Models:**



**DIAGRAM 2: Timer Models (XF/XP150)**



**NOTE:** All wiring must be fixed securely and the cable to the fan should be a minimum of 1mm<sup>2</sup> in section. All wiring must comply with current Regulations. This system must be installed by a qualified electrician.

**Timer Adjustment**

This time delay can be adjusted by firstly switching off the power to the fan and removing the fascia. Locate the rotary adjuster as shown in Diagram 2. The serrated adjuster wheel can be rotated using a thumbnail to adjust the timer setting.

- + = Rotate to the right to increase the time (indicated by + on the diagram)
- = Rotate to the left to decrease the time (indicated by - on the diagram)

**Only adjust with power switched off.**

**9. Wiring of Autoshutter Models (see diagram 3)**

**(This model is unsuitable for ceiling mounting)** This fan has its own integral pullcord on/off switch. The fan should not be accessible to a person using either the shower or the bath.

**NOTE:** All wiring must be fixed securely and the cable to the fan should be a minimum of 1mm<sup>2</sup> in section. All wiring must comply with current Regulations. This system should be installed by a qualified electrician.

**10. Wiring of Auto shutter Model (see diagram 3A)**

When light switch or pullcord is switched off fan will run for a between 20 sec and 30 mins (pre-set to 1 minute). The fan should not be accessible to a person using either the shower or the bath.

**NOTE:** All wiring must be fixed securely and the cable to the fan should be a minimum of 1mm<sup>2</sup> in section. All wiring must comply with current Regulations. This system should be installed by a qualified electrician.

Specifications:

- Model: NZNVF150SBB; NZNVF150TBB; NZXF150ABB; NZXF150ATBB
- Electrical: 220-240V ~ 50Hz
- Fan Wattage: 25W (45W for auto shutter model)
- Max Temp: 40°C
- Airflow: 87l/s (313m<sup>3</sup> hr) - free air performance
- Max Pressure: 60 Pa
- Sound Volume: 40 dB(A)
- IP Rated: IP44 (except pullcord model IP24)

**IMPORTANT**

- Isolate the mains supply before making any electrical connections. This system should be installed by a qualified electrician.
- When fitting through an external wall, an external grille must be fitted at all times.
- Fan should only be installed by fixed wiring, a flexible cord should not be used.
- The appliance is not intended for use by young children or infirm persons without supervision.
- Young children should be supervised to ensure that they do not play with the appliance.
- Precautions must be taken to avoid the back-flow of gases into the room from the open flue of gas or other open-fire appliances when mounted in outside windows or walls.

Diagram 2

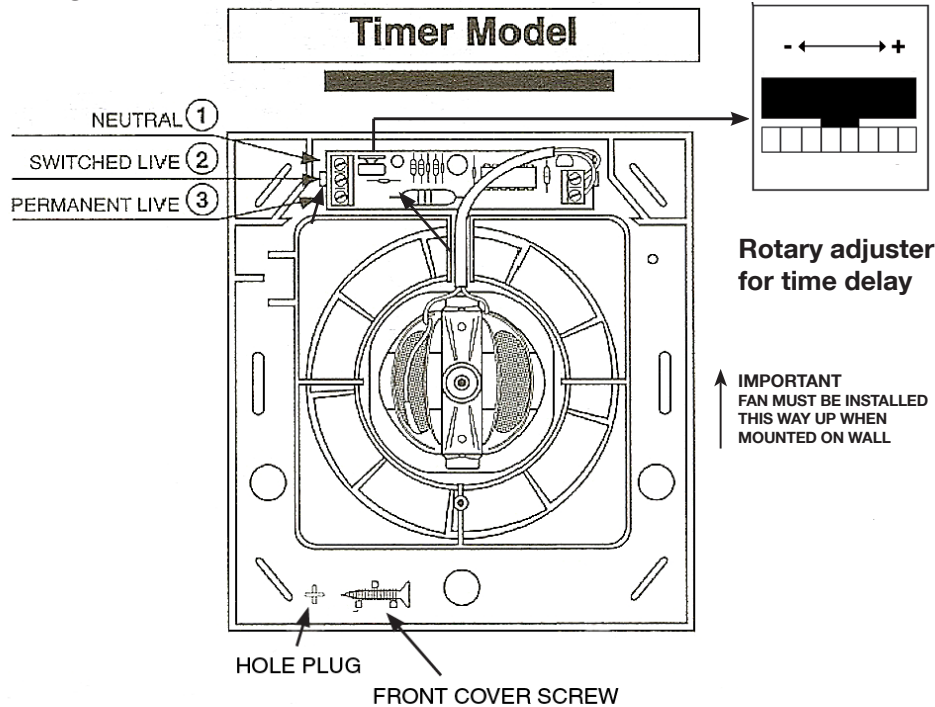
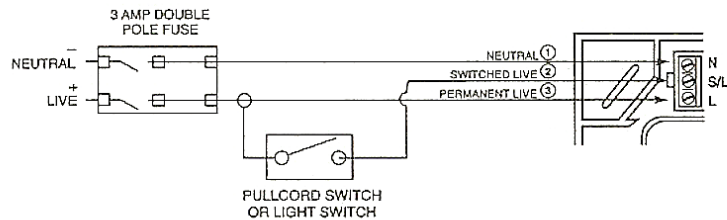


Diagram 2A



We reserve the right to change specification without prior warning



Manrose is proudly distributed by Ventair Pty Ltd  
 4 Capital Place, Carrum Downs, 3201 VIC, AUSTRALIA.  
 Technical Support (03) 9775 0556  
 e: info@ventair.com.au | www.ventair.com.au | www.manrose.com.au

INSTALLATION INSTRUCTIONS



FAN0046/0048/0053 Wall Fan and Kits

Thank you for selecting our Manrose 100mm Wall/Ceiling Fan.  
 Please read all instructions before commencing installation.

- NOTE: (i) The fan is to be installed so that the blades are more than 2.1m above the floor. For best results this Extractor Fan should be fitted as high on the wall as possible, or if preferred, on the ceiling.  
 (ii) Do not install the unit within a shower cubicle. Use our shower fan SF125 models  
 (iii) Switch off mains supply before making electrical connections. This system should be installed by a qualified electrician.  
 (iv) This fan is double insulated and does not require an earth.  
 (v) When installing fan through an external wall, an external wall grille must be fitted at all times.

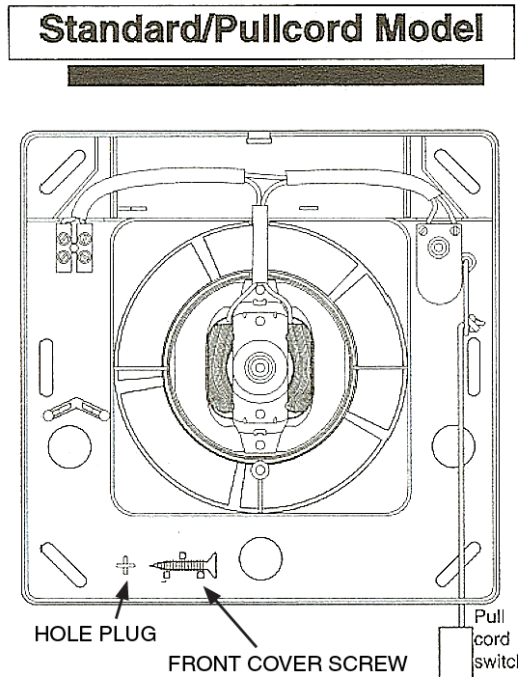
1. Cut a 112mm min. diameter hole in the wall. If the fan is to be fixed onto the ceiling ensure that the hole is between the joists.
2. Fit 100mm (internal diameter) ducting flush to the plaster.
3. Remove the cover from the fan by simply unclipping the fascia. The front cover screw and plug are conveniently located within the fan housing as shown in diagram 1 & 2.
4. Hold the body of the fan against the wall or ceiling and mark the four screw holes and the cable entry. **IMPORTANT:** Ensure that the fan is square on the wall or ceiling.
5. Bring power cable into position, as marked. Allow an extra 230mm (9") protruding to facilitate connection.
6. If an XP100 kit - Select a suitable position on the outside wall for the weatherproof cowl. Carefully remove the cowl from its housing by levering gently at the sides with a small screwdriver. Cut a 115mm hole ensuring first that the area is free from obstruction.
7. **Wiring of Standard Model FAN0046. (see Diagram 1).**

The fan can be connected to the light switch so that the fan will start when the light is switched on. The fan should not be accessible to a person using either the shower or the bath.

**NOTE:** All wiring must be fixed securely and the cable to the fan should be a minimum of 1mm<sup>2</sup> in section. All wiring must comply with current Regulations.

This system must be installed by a qualified electrician.

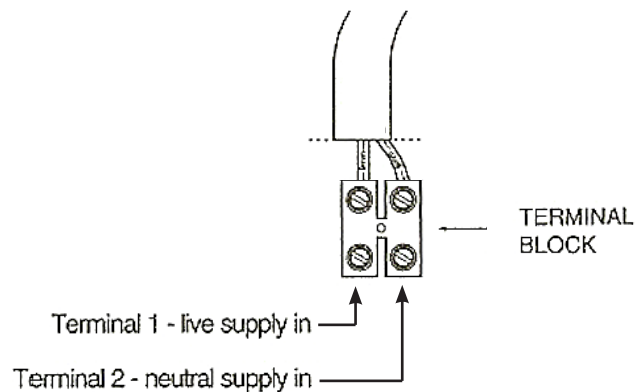
Diagram 1



**IMPORTANT**

**FAN MUST BE  
INSTALLED THIS  
WAY UP WHEN  
MOUNTED ON WALL**

Diagram 1A



**8. Wiring of Pullcord Models. (See Diagram 1 / 1A)  
(THIS MODEL IS NOT SUITABLE FOR CEILING FIXING)**

This fan has its own integral pullcord on/off switch. The fan should not be accessible to a person using either the shower or the bath.

**NOTE:** All wiring must be fixed securely and the cable to the fan should be a minimum of 1mm<sup>2</sup> in section. All wiring must comply with current Regulations. This system must be installed by a qualified electrician.

**9. Wiring of Timer. (See Diagram 2 / 2A).**

The fan can be connected to the light switch so that the fan will start when the light is switched on. When the light switch or pullcord is switched off the fan will run for between 20 sec & 30 minutes (pre-set to 1 minute). The fan should not be accessible to a person using either the shower or the bath.

**NOTE:** All wiring must be fixed securely and the cable to the fan should be a minimum of 1mm<sup>2</sup> in section. All wiring must comply with current Regulations. This system must be installed by a qualified electrician.

**Timer Adjustment only**

This time delay can be adjusted by firstly switching off the power to the fan and removing the fascia. Locate the rotary adjuster as shown in Diagram 2. The serrated adjuster wheel can be rotated using a thumbnail to adjust the timer setting.

- + = Rotate to the right to increase the time (indicated by + on the diagram)
- = Rotate to the left to decrease the time (indicated by - on the diagram)

**Only adjust with power switched off.**

Specifications:

Model:	NZNVF100SBB; NZNVF100TBB; NZNVF100PBB
Electrical:	220-240V ~50Hz <input type="checkbox"/> <input checked="" type="checkbox"/>
Fan Wattage:	20W
Max Temp:	40°C
Airflow:	23 l/s (85m <sup>3</sup> /hr) - free air performance
Max Pressure:	20 Pa
Sound Volume:	41 dB(A)
IP Rated:	IP44 (except pullcord model IP24)

**IMPORTANT**

- Isolate the mains supply before making any electrical connections. This system should be installed by a qualified electrician.
- When fitting through an external wall, an external grille must be fitted at all times.
- Fan should only be installed by fixed wiring, a flexible cord should not be used.
- The appliance is not intended for use by young children or infirm persons without supervision.
- Young children should be supervised to ensure that they do not play with the appliance.
- Precautions must be taken to avoid the back-flow of gases into the room from the open flue of gas or other open-fire appliances when mounted in outside windows or walls.



Diagram 2

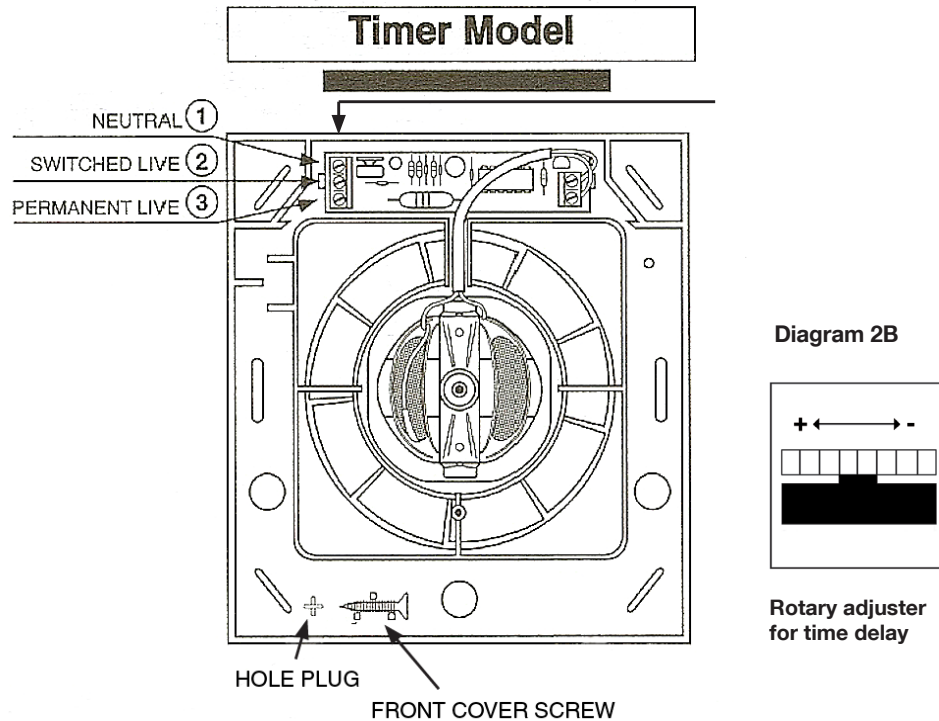
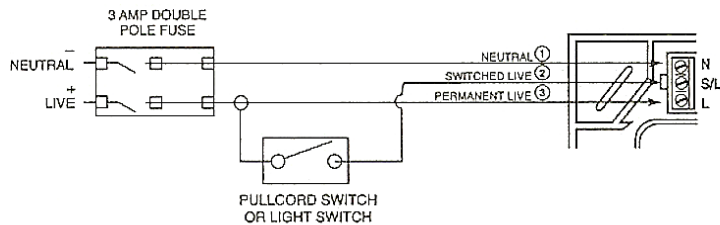


Diagram 2A



We reserve the right to change specification without prior warning



Manrose is proudly distributed by Ventair Pty Ltd  
 4 Capital Place, Carrum Downs, 3201 VIC, AUSTRALIA.  
 Technical Support (03) 9775 0556  
 e: [info@ventair.com.au](mailto:info@ventair.com.au) | [www.ventair.com.au](http://www.ventair.com.au) | [www.manrose.com.au](http://www.manrose.com.au)

**INSTALLATION INSTRUCTIONS**



**FAN0072/0075/0080 Wall Fan and Kits**

*(The 'new' ball bearing designed motors provide an extended lifetime of operation)*

- NOTE: (i) The fan is to be installed so that the blades are 2.1m above the floor. For best results this Extractor Fan should be fitted as high on the wall as possible, or if preferred, on the ceiling.  
 (ii) Do not install the unit within a shower cubicle. Use our shower fan models no's SF125S or SF125T.  
 (iii) Switch off mains supply before making electrical connections. This system should be installed by a qualified electrician.  
 (iv) This fan is double insulated and does not require an earth.  
 (v) When installing fan through an external wall, an external wall grille must be fitted at all times.

1. Cut a 140mm diameter hole in the wall. If the fan is to be fixed onto the ceiling ensure that the hole is between the joists.
2. Fit 125mm ducting flush to the plaster.
3. Remove the cover from the fan by simply unclipping the fascia. The front cover screw and plug are conveniently located within the fan housing as shown in diagram 1 & 2.
4. Hold the body of the fan against the wall or ceiling and mark the four screw holes and the cable entry.  
**IMPORTANT:** Ensure that the fan is square on wall the or ceiling.
5. Bring power cable into position, as marked. Allow an extra 230mm (9") protruding to facilitate connection.  
 Fan should only be installed by fixed wiring, a flexible cord should not be used.
6. If an XP125 kit - Select a suitable position on the outside wall for the weatherproof cowl. Carefully remove the cowl from its housing by levering gently at the sides with a small screwdriver. Cut a 140mm hole ensuring first that the area is free from obstruction.

**7. Wiring of Standard Model (see Diagram 2A).**

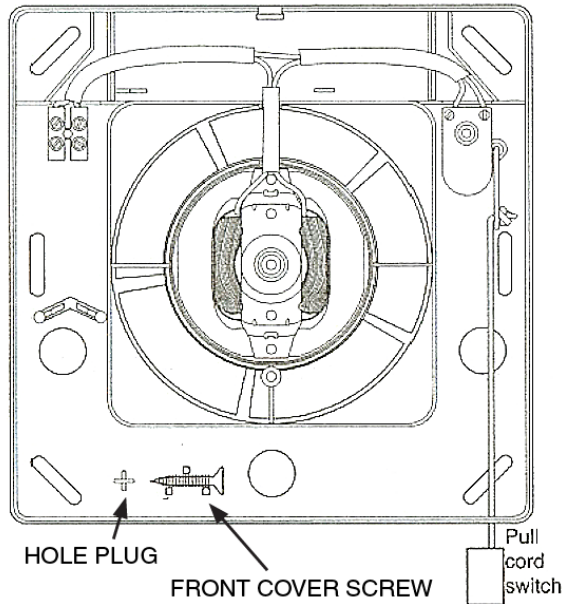
**(For remote switch operation).**

The fan can be connected to the light switch so that the fan will start when the light is switched on. The fan should not be accessible to a person using either the shower or the bath.

**NOTE:** All wiring must be fixed securely and the cable to the fan should be a minimum of 1mm<sup>2</sup> in section. All wiring must comply with current Regulations. This system should be installed by a qualified electrician.

Diagram 1

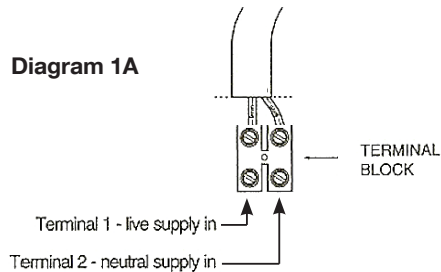
## Standard/Pullcord Model



**IMPORTANT**

FAN MUST BE  
INSTALLED THIS  
WAY UP WHEN  
MOUNTED ON WALL

Diagram 1A



**IMPORTANT**

- Isolate the mains supply before making any electrical connections. This system should be installed by a qualified electrician.
- Fan should only be installed by fixed wiring, a flexible cord should not be used.
- The appliance is not intended for use by young children or infirm persons without supervision.
- Young children should be supervised to ensure that they do not play with the appliance.
- Precautions must be taken to avoid the back-flow of gases into the room from the open flue of gas or other open-fire appliances when mounted in outside windows or walls.

### 8. Wiring of Pullcord Models (see Diagram 1).

**(This model is unsuitable for ceiling mounting).**

This fan has its own integral pullcord on/off switch. The fan should not be accessible to a person using either the shower or the bath.

**NOTE:** All wiring must be fixed securely and the cable to the fan should be a minimum of 1mm<sup>2</sup> in section. All wiring must comply with current Regulations. This system should be installed by a qualified electrician.

### 9. Wiring of Timer Model See Diagram 2 & 2A.

The fan can be connected to the light switch so that the fan will start when the light is switched on. When the light switch or pullcord is switched off the fan will run for between 20 sec & 30 minutes (pre-set to 1 minute). The fan should not be accessible to a person using either the shower or the bath.

#### Timer Adjustment.

This time delay can be adjusted by firstly switching off the power to the fan and removing the fascia. Locate the rotary adjuster as shown in **Diagram 2**. The serrated adjuster wheel can be rotated using a thumbnail to adjust the timer setting.



- + = Rotate to the right to increase the time (indicated by + on the diagram)
- = Rotate to the left to decrease the time (indicated by - on the diagram)

**Only adjust with power switched off.**

**NOTE:** All wiring must be fixed securely and the cable to the fan should be a minimum of 1mm<sup>2</sup> in section. All wiring must comply with current Regulations. This system should be installed by a qualified electrician.

**For timer adjustment see diagram 2B min 30 secs, max 30 mins.**

#### Specifications:

Model:	NZNVF120SBB; NZNVF120TBB
Electrical:	220-240V~50Hz  
Fan Wattage:	25W
Max Temp:	40°C
Airflow:	36l/s (130m <sup>3</sup> /hr)
Max Pressure:	35 Pa
Sound Volume:	41 dB(A)
IP Rated:	IP44 (except pullcord model IP24)