

PUREAIR SENSE

Bathroom Fan with Odour Sense Technology



Instruction Manual

A product by
Vent-Axia

READ THIS FIRST! IMPORTANT!

Please read these instructions carefully before use.

The fan is designed for permanent installation and must be installed by an authorized electrician.

According to the EN 60335 Standard, the following must be taken into account:

- This product can be used by persons aged 8 years and over and by persons with reduced physical or mental ability or lack of experience and knowledge, if they have received guidance or been instructed on the use of the product in a safe manner and are aware of the risks.
- Children must not play with the product. Cleaning and maintenance must not be carried out by children without supervision. The fan channel length must not be less than 200mm.
- When mounting in wall or ceiling the external opening must always be protected against rain/snow with a hood/external grille.

Functions

Odour Sensor

The Vent-Axia PureAir Sense fan is equipped with an odour sensor that increases the airflow when the air is poor.

Adjustable Timer

Triggered via light sensor. Possibility of a 2 minute delay, and selectable run-on time 15 or 30 minutes. The airflow can be adjusted from the control panel or via the app.

Automatic Humidity Control System

Fully automatic humidity control, which means the fan increases the airflow at increased humidity. The airflow can be adjusted from the control panel or via the app.

Continuous or Intermittent Operation

Let the fan run continuously if you need basic ventilation in your home. The flow can be adjusted from the control panel or via the app.

Airing Function

If the fan has been inactive for 26 hours, it will run an airing program for 60 minutes.

The airing function is not active when the fan is running continuously. The airflow can be adjusted from the control panel or via the app.

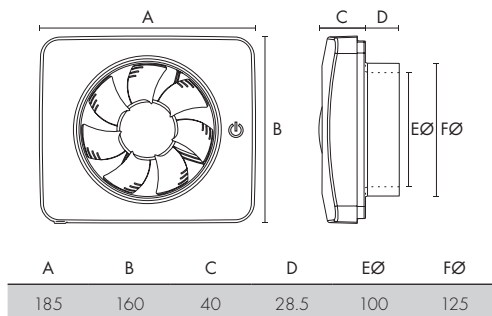
App

The Vent-Axia Connect App can be downloaded to Android and IOS devices. The app gives you access to a variety of settings and functions.

See the Vent-Axia website for detailed information on all fan functions with and without the app. www.vent-axia.com



Dimensions (mm)



Settings

Press the function icon and all adjustable/programmable symbols will light up. Then press any of the Timer, Humidity control, Continuous or Light/Odour.

This will only light up the selected function, which is then ready for adjustment. You can control speed/flow +/- is provided for certain functions. Lit lamps next to each symbol indicates the function is selected.

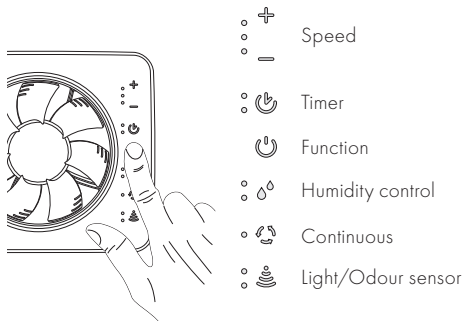
See the Vent-Axia website for detailed information on all fan functions with and without the app: www.vent-axia.com

Default Factory Settings

Constant running low speed	ON - 10l/s
Airing function (every 26hr)	ON - 15l/s 60min
Overrun timer	ON - 15l/s 15min & 2min Delay
Humidity function	ON - 28l/s
Light sensor	OFF - 15l/s
Odour sensor	ON - 21l/s

Reset

Press the function button once. Press and hold the function button for at least 5 seconds.

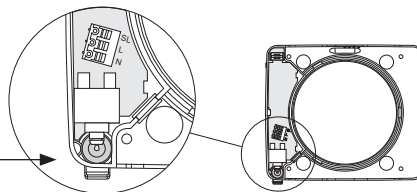


Technical Data

Maximum airflow	140 m ³ /h or 39l/s
Min sound level	19 dB (A) 3 m
Max pressure	57 Pa
Power consumption	2-5 W
Spigot depth	29 mm
Hole size	105 - 130 mm
Material	ABS plast
Protection rating	IP44
Insulation class	X
Voltage frequency	100-240VAC 50-60Hz
Certificates	DC6
Mounting options	Wall or ceiling
Bluetooth LE	-12dBm EIRP (63µW), nominellt 2450MHz

Electrical Wiring

- Electrical installation must be carried out by an authorised electrician.
- The fan is double insulated and should not be grounded.
- The fan is fitted with a multi-pole switch and does not require a pre-wired external switch.

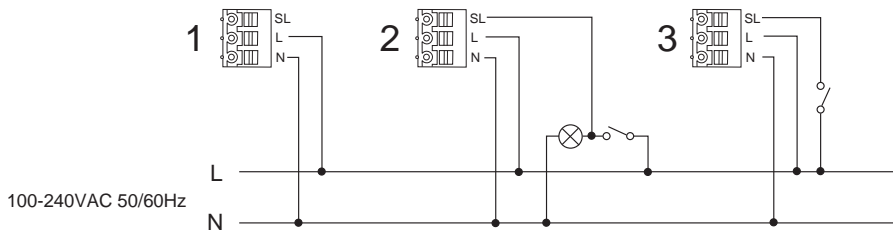


Installation Options

The fan can be connected in three different ways depending on the desired function.

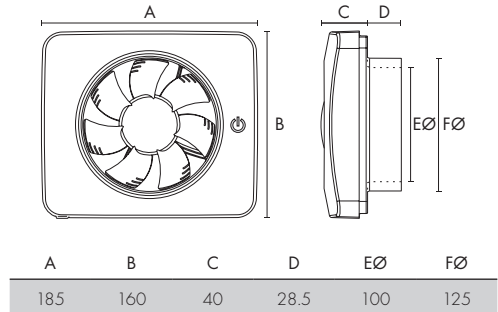
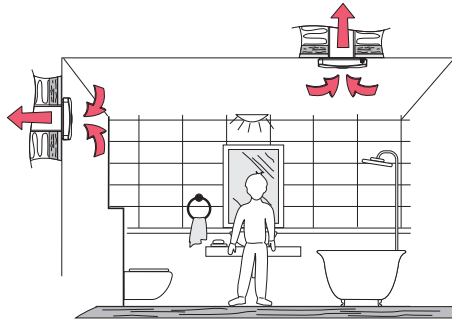
The fan is connected with constant voltage supply 100-240 VAC 50/60 Hz, phase (L) and Zero (N), see wiring diagram

- Time control with light switch, see wiring diagram 2. The fan is connected with constant voltage supply 100-240 VAC 50/60 Hz, phase (L) and Zero (N). The control phase (SL) is connected to activate the fan's time control, i.e. when the bathroom light comes on, there is power to the igniter wire. This option provides a delayed start of 2 minutes. The fan will run as long as the light is lit. When the light goes out, the fan will run for another 15/30 minutes.
- Time control with spring-loaded switch, see wiring diagram 3. The fan is connected with constant voltage supply 100-240 VAC 50/60 Hz, phase (L) and Zero (N). The control phase (SL) is connected to activate the fan's time control with spring-loaded switch. The fan runs for 15/30 minutes after the spring-loaded switch has been activated.
- Time control with spring-loaded switch, see wiring diagram 3. The fan is connected with constant voltage supply 100-240 VAC 50/60 Hz, phase (L) and Zero (N). The control phase (SL) is connected to activate the fan's time control with spring-loaded switch. The fan runs for 15/30 minutes after the spring-loaded switch has been activated.



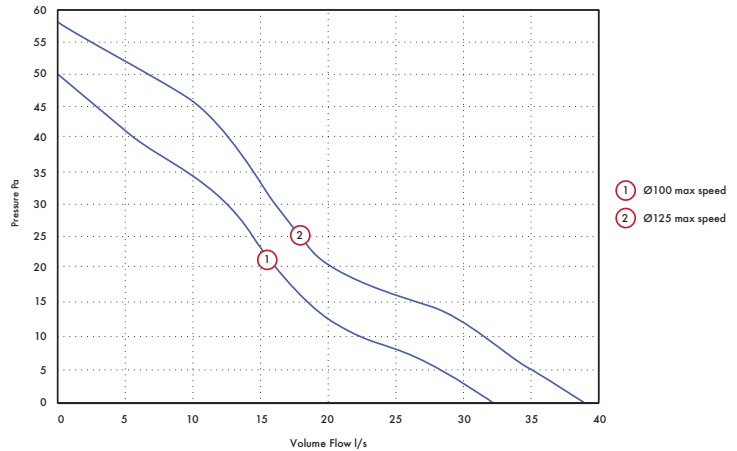
Mounting Options

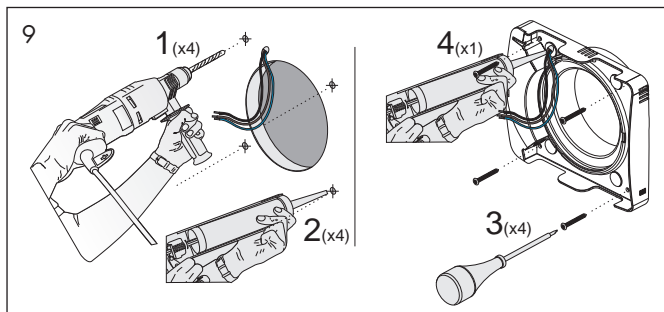
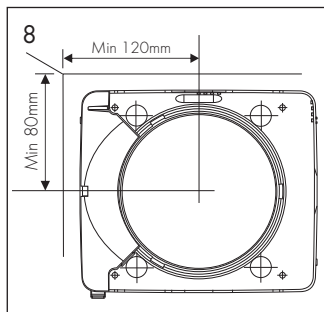
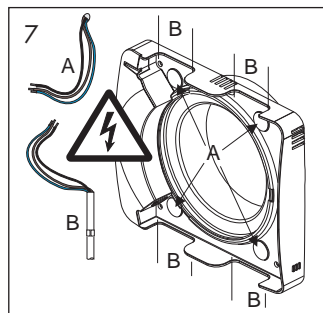
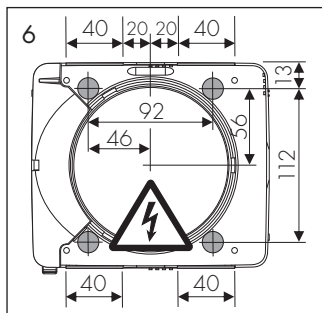
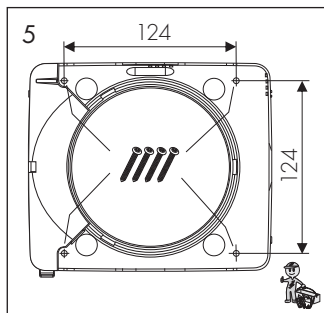
The fan is suitable for ceiling and wall mounting.



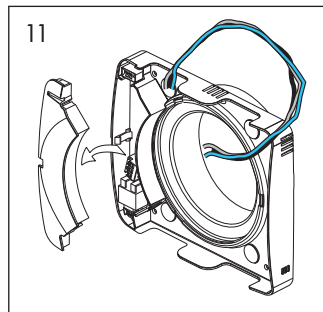
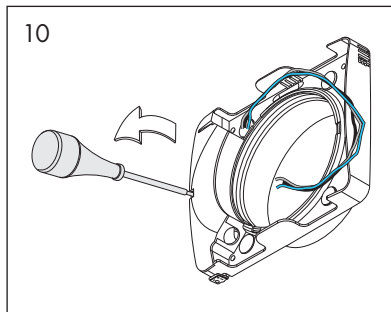
Capacity Curve

Maximum flow and available pressure 140 m³ / 39l/s / h₅₇ Pa with Ø 118mm (125) adapter.

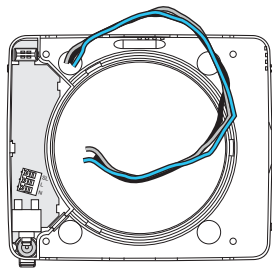




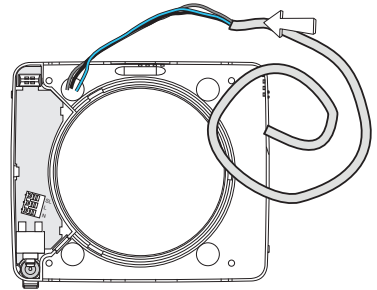
Installation



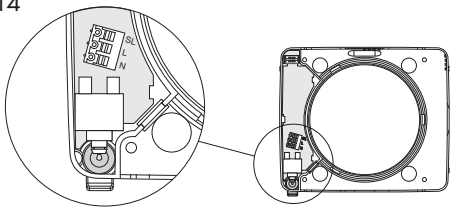
12



13



14



100-240VAC 50/60Hz

1



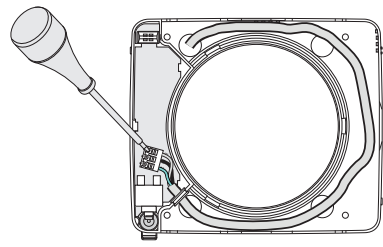
2



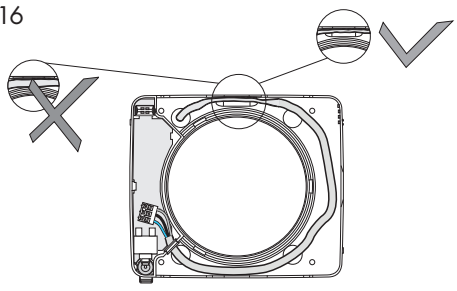
3

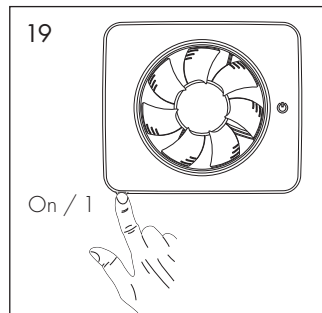
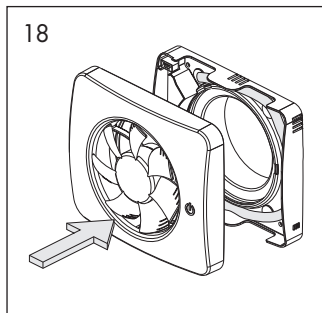
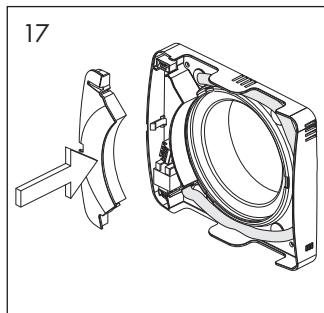


15



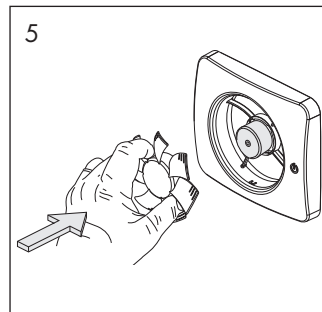
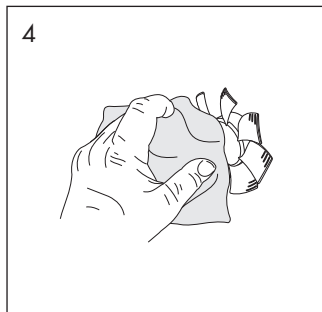
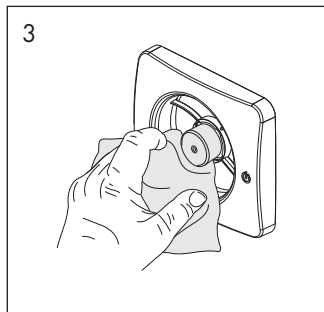
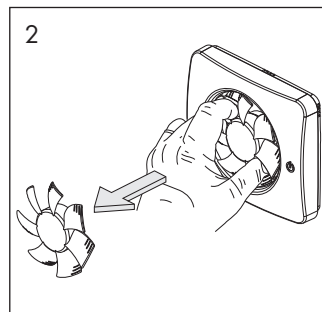
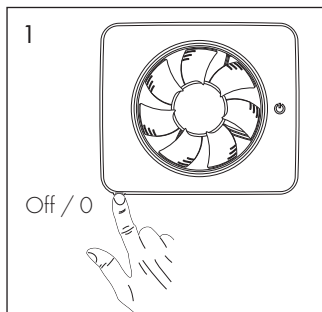
16



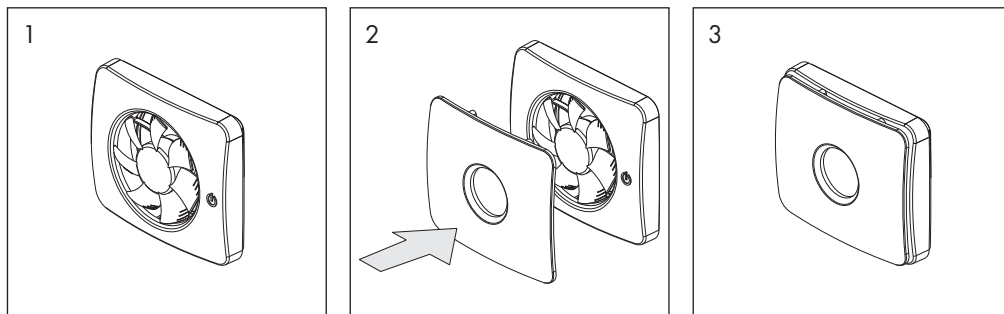


Cleaning & Maintenance

The Vent-Axia PureAir Sense is designed to work efficiently for many years. For the fan to work correctly, it must be cleaned regularly. The cleaning interval is determined by how long the fan is operated and the air quality. Clean the fan at least twice/year or as necessary. When cleaning, disconnect the power to the fan by pressing the multi-pole switch upwards to the O-OFF position.



Mounting of Magnetic Front Cover (accessory)



Warranty

We provide a 7-year warranty against manufacturing defects.

For the warranty to be valid, proof of purchase is required and the fan:

- must be assembled and installed in accordance with the installation guide in this manual
- must have been maintained according to the maintenance instructions in this manual
- must be mounted in a normal residential environment
- must be connected to a voltage of 100-240VAC 50/60Hz
- has not been exposed to lightning or abnormal power surges
- has not been subjected to tampering
- has been installed so that water cannot spray/flush the fan
- must not have been installed in an environment where the temperature has exceeded 50° Celsius



Product complaints shall be made to the point of purchase.

Recycling

The product is labelled with the WEEE symbol indicating that it must not be disposed of in the household waste, but should be recycled at the appropriate place in each municipality.

Quick Guide

Function indication is given with different colours.



The function symbol is lit depending on the active function:

No light

The fan is off or activated for continuous operation.

Blue light

The fan is running due to increased humidity.

Flashing blue light

The fan is running because it has detected that it can lower the humidity in the room.

Green light

The air quality sensor has activated the fan.

Purple light

The fan has been started by the airing function.

Yellow light

The fan is running on the timer.

Flashing yellow

The delay timer counts down, faster flashes towards the end.

To access the functions that can be programmed:

First press the function icon.

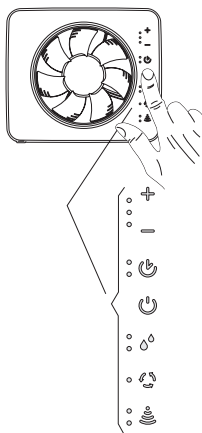


All programmable function symbols light up.



To activate the desired function, press any of the four symbols and then follow the instructions to the right.

The process is then ended by pressing the function icon twice.



Timer		
Select time: One press at a time 15 min 30 min	Activate/deactivate delayed start: Hold for 2 secs. The lamps flash 3 times :15 min :30 min	Increase/decrease airflow: Press the +/- buttons
Humidity Control		
The lights will show which selection option you are on:	Press once to scroll to the next option. Keep scrolling until you get to the option you want. Hold for 2 secs	Increase/decrease airflow during humidity-activated operation: Press the +/- buttons
Fast	Fast	
Normal	Normal	
Slow	Slow	
Deactive	Deactive	
Continuous Operation		
Activate: Press until the lamp comes on	Deactivate: Press until the lamp goes off	Increase/decrease airflow: Press the +/- buttons
Light and Odour Sensor		
Indications: The corresponding lamp lights up	Activate/deactivate: Press repeatedly until the lamp goes on or off	Increase/decrease airflow: Select the Timer speed function, which is common for the flow with the lights sensor
Light Sensor	Light Sensor	Air quality function has same speed as humidity function
Odour Sensor	Odour Sensor	
Light Sensor & Odour Sensor	Odour Sensor	Press the +/- buttons
Inactive		
Reset		
(to factory settings)	Activate 1 touch	Touch and hold for 5 sec

Vent-Axia®

Head Office:

Fleming Way, Crawley, West Sussex, RH10 9YX.

SALES ENQUIRIES:

Tel: 0844 8560590 Fax: 01293 565169

TECHNICAL SUPPORT:

Tel: 0344 8560594 Fax: 01293 532814

Accessories available: (purchased separately)

1. Wall Mounting Back Plate Stock Ref. 406762
2. Internal Wall Kit - White with Backdraught Shutter Stock Ref. 474779



1.



2.

© Copyright Vent-Axia®

We accept no liability for printing errors and reserve the right to make changes to materials and designs.

0119 479563A