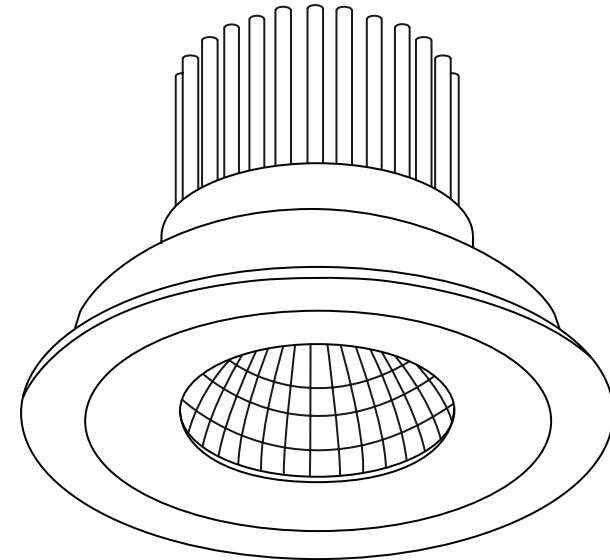


Model No	Input Voltage	Power (W)	Colour Temperature	CRI	Ingress Protection
RDA83	220-240	8.5	3000K	90+	IP20
RDA84	220-240	8.5	4000K	90+	IP20
RDC83	220-240	8.5	3000K	90+	IP20
RDC84	220-240	8.5	4000K	90+	IP20
RDT83	220-240	8.5	3000K	90+	IP20
RDT84	220-240	8.5	4000K	90+	IP20
RDF83	220-240	8.5	3000K	90+	IP65
RDF84	220-240	8.5	4000K	90+	IP65

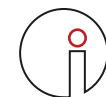
Applicable for:	RDA8
	RDC8
	RDT8
	RDF8


**TREND**

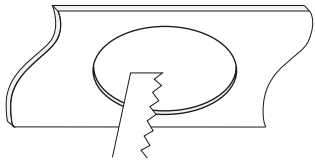
LIGHT BY SOLID STATE

288 Coward Street Mascot NSW 2020

Ph: (02) 9669 8888 / Fax: (02) 9669 8899 / Email: sales@trendlighting.com.au


**TREND**  
 LIGHT BY SOLID STATE

### Step 1

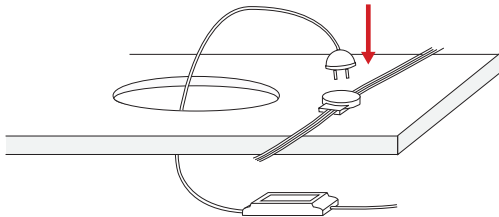


#### Cut Out

RDA8: 76mm    RDC8: 92mm  
RDT8: 78mm    RDF8: 76-92mm

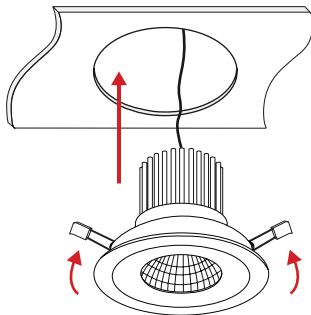
Please note: Ensure cut-out corresponds with selected fitting.

### Step 2



Connect driver to 240v mains

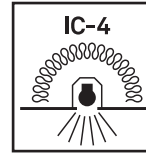
### Step 3



Bend springs upward and install luminaire into ceiling.

To maintain IP65 rating on RDF8 luminaires, ensure the luminaire is installed on a flat, level ceilings and the silicone gasket has an adequate seal to the mounting surface.

### Installation Notes



#### IC-4 Rated

The Resiled range is IC-4 rated and can be installed in locations where it is covered or abutted with thermally insulating material in accordance with AS/NZS 60598.2.2:2016 ( IC-4 test ).

### Important Safety Information

This product must be installed by a **licenced electrician** in accordance with AS/NZS 3000 and local regulations.

To maintain IP65 protection on RDF8 luminaires, ensure the fitting is installed in accordance with the installation instructions and the mounting surface is able to provide an adequate seal as per Step 3.

### Approvals

The C-Tick marking of this product applies to AS/NZS CISPR15:2011 "Limits and methods of measurement of radio disturbance characteristics of electrical lighting and similar equipment." This product is designed to conform to AS/NZS60598 "Luminaires, general requirements and tests".