

Profile Base Hooded Roof Fan.

Product datasheet



Profile Base Hooded Roof Fan.

The Fanquip Profile Base Hooded Roof Fans are a heavy duty, weatherproof roof exhaust fan designed for the removal of heat, steam and dust in commercial and industrial applications. Also available as a supply fan for building makeup air. The fan design incorporates a special mounting base to suit common metal roof profiles, removing the requirement for mounting upstands and over flashings, saving on install time and cost.

The Fanquip Curb Base Hooded Roof Fan is available using adjustable pitch GRP (Glassfiber Reinforced Polypropylene) or cast aluminium airfoil impellers. The casing is fully welded mild steel construction with a hot dip galvanised finish. The base is fibreglass construction and moulded to suit a range of different roof sheet profiles. A weatherproof fibreglass hood is bolted to the casing to entirely cover the fan outlet while offering the least resistance to flow. Heavy duty plastic mesh is fitted beneath the hood to protect against ingress of birds. The units are fitted with single-phase 240V or three-phase 415V heavy-duty motors of rugged construction, which incorporate sealed ball bearings to reduce operating noise. There are a comprehensive range available with fan diameters ranging from 400mm to 1200mm.

Key features.



- ✓ Exhaust or Supply air versions available
- ✓ Fibreglass hood and base / Hot dip galvanised casing
- ✓ Profile base to match a wide range of roof profile
- ✓ Simple installation - no upstand or overflashings required
- ✓ Birdmesh protection
- ✓ Weatherproof design
- ✓ IP55 motor
- ✓ GRP adjustable pitch blades
- ✓ External junction box
- ✓ 700mm lead, no plug

Applications.

The Profile Base Hooded Roof Fan has an extensive range of applications.

Installation locations.

- ✓ Factories
- ✓ Hospitals
- ✓ Office Buildings
- ✓ Warehouses
- ✓ Manufacturing
- ✓ Processing plants

Extraction applications.

- ✓ Fumes
- ✓ Contaminated air
- ✓ Heat
- ✓ Steam



Options.

- Aluminium adjustable pitch blades
- Aluminium or stainless steel casings
- Wide range of colour options available
- Hazardous location rated – Exe, Exd, ExnA, Extd
- IP56 or IP66 motor
- Available without fan/motor as a relief vent

Technical advice.

Fanquip have technical consultants to provide guidance on the specifications required to suit your Profile Base Hooded Roof Fan use and application.

Warranty.

Twelve-month guarantee on the mechanical and electrical componentry subject to satisfactory maintenance with assessment and rectification, if any, to take place after return by the customer to Fanquip's workshop. Extended warranty options available on request.

Installation & maintenance.

The necessary procedures are outlined in the Fanquip installation, operation and maintenance instructions. These should be followed to ensure satisfactory performance and service life.

Profile Base Hooded Roof Fan.

Product specifications.

Model Number*	Fan Diameter (mm)	Motor Speed (rpm)	Motor Power (kW)	Voltage (V)	Full Load Amps (A)	Free Air Volume (l/s)	Noise* (dBA @ 3m)	Weight (kg)	Base
7-40241__	400	1440	0.55	240	3.80	1480	50	36	CI/TD/SS/SD
7-40243__	400	1440	0.55	415	1.63	1480	50	36	CI/TD/SS/SD
7-60161__	600	960	0.37	240	2.40	3010	60	75	CI/TD/SS/SD/DR/LS
7-60163__	600	960	0.37	415	1.32	3010	60	75	CI/TD/SS/SD/DR/LS
7-60241__	600	1440	1.1	240	6.60	4300	68	75	CI/TD/SS/SD/DR/LS
7-60243__	600	1440	1.1	415	2.60	4300	68	75	CI/TD/SS/SD/DR/LS
7-80123__	800	720	0.55	415	2.10	5400	59	100	CI/TD/SS
7-80163__	800	960	1.1	415	3.00	6800	65	100	CI/TD/SS
7-10123__	1000	720	1.5	415	4.20	10000	63	150	CI/TD/SD/LS
7-12123__	1200	720	2.2	415	6.00	14000	69	180	CI/TD/SD/LS

*Add the 2 letters from the "Base" column to the model number for the required base type
 CI - Corrugated Iron, TD - Trimdek, SS - Super Six, DR - Double Rib & Span 4, SD - Spandek
 LS - Longspan

*Noise level is free field and indicative and should only be used to indicate relative values as actual figures depend on the fan and relevant field conditions.

Profile Base Hooded Roof Fan.

Profile Base Options



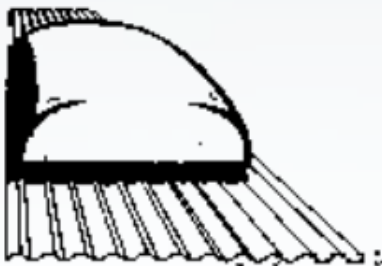
Longspan (LS)
600mm - 1200mm



Double Rib & Span 4 (DR)
600mm



Trimdek (TD)
400mm - 600mm - 800mm
1000mm - 1200mm



Corrugated Iron (CI)
400mm - 600mm - 800mm
1000mm - 1200mm



Spankdek (SD)
400mm - 600mm
1000mm - 1200mm



Super Six (SS)
400mm - 600mm - 800mm

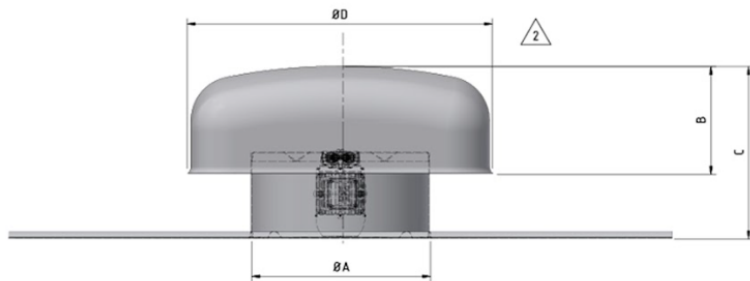
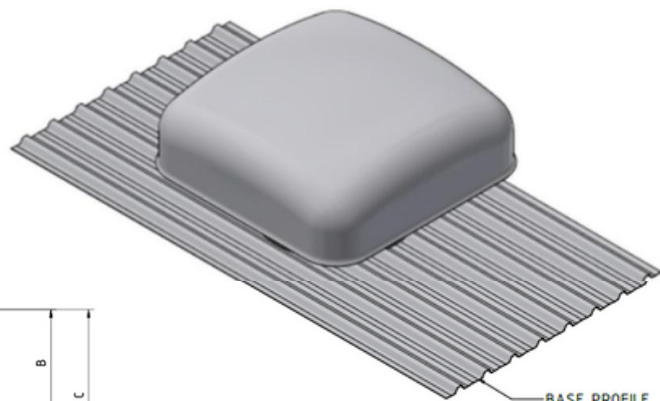
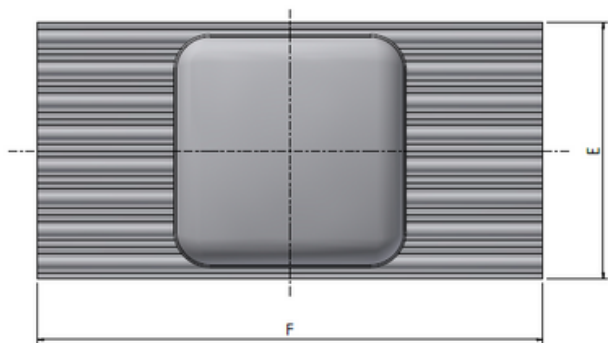
***Other profiles are available - please ask for details.**

Colour Options

The image displays several overlapping color selector charts. The top-left chart is titled 'COLOUR SELECTOR' and shows a grid of various shades. Other charts include 'Colour Style' with a range of earthy tones, 'Bright and Vibrant' with more saturated colors, and 'Anti-Graffiti Protection' with darker, more durable-looking colors. Each chart includes small text labels for each color swatch.

A wide range of colour options are available - Please contact us for an up-to-date colour selector.

Profile Base Hooded Roof Fan.



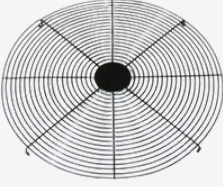

- BASE PROFILE
TO MATCH ROOF SHEET
- CORRUGATED IRON (CI)
 - SUPER SIX (SS)
 - SPANKDEK (SD)
 - TRIMDEK (TD)
 - DOUBLE RIB & SPAN 4 (DR)
 - LONGSPAN (LS)

Product dimensions.

Diameter (mm)	A (mm)	B (mm)	C (mm)	D (mm)	E (mm)	F (mm)
400	180	180	500	730	850	1500
600	612	230	500	1060	900	1450
800	802	485	780	1380	980	2070
1000	1010	470	780	1380	1590	2150
1200	1229	450	850	1460	1630	2000

*All sizes shown are standard. Subject to change without notice.

Profile Base Hooded Roof Fan.

Accessories	
Accessory	Specifications
Finger Guards 	<ul style="list-style-type: none">✓ Fan guards are available for any of our circular fans, and stop foreign objects from entering the fan. Complies to Australian Standards of safety requirements.✓ Painted finish.
Variable Speed Drives 	<ul style="list-style-type: none">✓ 3 phase or single phase input. IP20 or IP66 and EMC compliant. User friendly interface.

