

# Giant Fan.

Product datasheet



# Giant Fan.

The Fanquip Giant Fans provide a large air volume for widespread coverage throughout your facility. A high-volume low-speed fan (HVLS) can do much more than help you maintain comfortable indoor temperatures. Our multi-purpose Giant Fans can be used in the summer as cooling or during winter for heat destratification, improving air quality and providing energy savings year-round. Great for reducing odours, Giant Fans are perfect for industries that handle strong-scented materials or products in big open spaces. Complete with a wall-mount control box with variable speed controls, this low-energy solution is easy to install and maintenance-free.

## Key features.



- ✓ Wall mount HMI controller with 7 speed settings
- ✓ Network for up to 20 fans
- ✓ Reverse mode for destratification.
- ✓ 5 aluminium blades
- ✓ Guy wire support set

## Applications.

The Giant Fan has an extensive range of applications.

### Installation locations.

- ✓ Agriculture
- ✓ Food Processing
- ✓ Commercial Laundries
- ✓ Manufacturing
- ✓ Warehouses
- ✓ Sports Centres
- ✓ Shopping Centres
- ✓ Education

### Cooling applications.

- ✓ Personnel cooling
- ✓ Livestock cooling
- ✓ Machinery cooling
- ✓ Condensation removal
- ✓ Energy savings



## Options.

- No options

## Technical advice.

Fanquip have technical consultants to provide guidance on the specifications required to suit your Giant Fan use and application.

## Warranty.

Twelve-month guarantee on the mechanical and electrical componentry subject to satisfactory maintenance with assessment and rectification, if any, to take place after return by the customer to Fanquip's workshop. Extended warranty options available on request.

## Installation & maintenance.

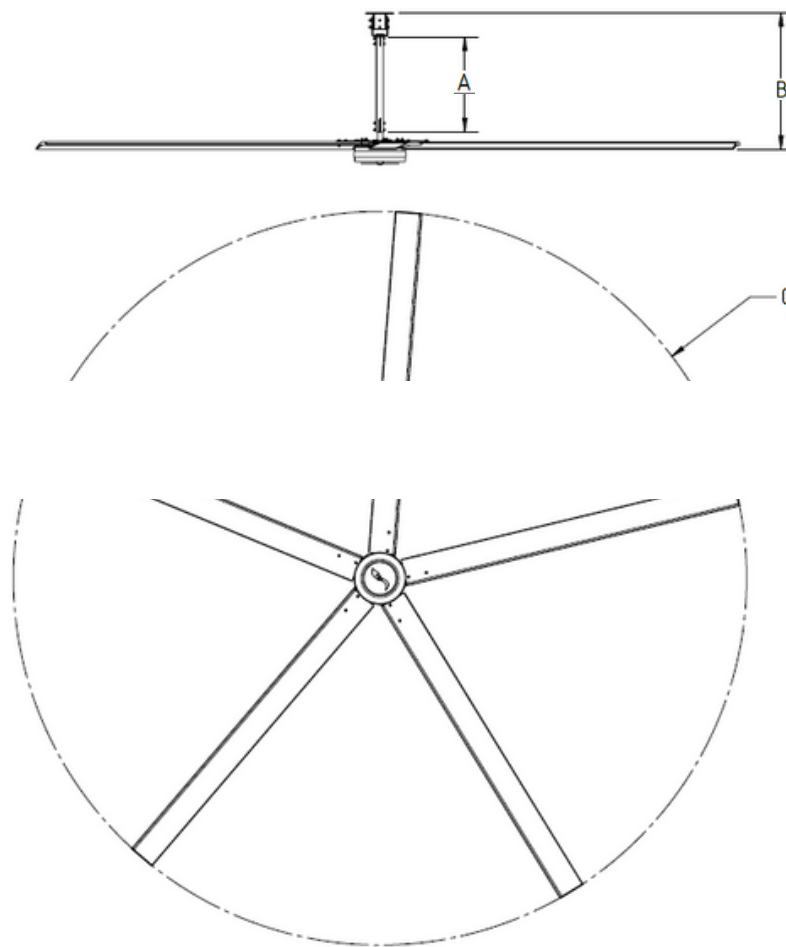
The necessary procedures are outlined in the Fanquip installation, operation and maintenance instructions. These should be followed to ensure satisfactory performance and service life.

# Giant Fan.

## Product specifications.

Model no.	Fan diameter (mm)	Motor speed (RPM)	Motor power (kW)	Voltage (V)	Full Load Amps (A)	Free Air Volume (L/S) (AMCA 230-15)	Free Air Volume (L/S) (AMCA 230-99)	Covered Area (m <sup>2</sup> )	Noise* (dBA@3m)	Weight (kg)
14-GIANT42	4200	82	0.5	240	1.7	39,170	55,390	490	< 50	37
14-GIANT55	5500	69	1.2	240	2.4	79,410	112,290	750	< 50	104
14-GIANT73	7300	54	1.2	240	3.7	165,810	234,470	1300	< 50	113

\*Noise level is free field and indicative and should only be used to indicate relative values as actual figures depend on the fan and relevant field conditions.



## Product dimensions.

Model No.	A (mm)	B (mm)	C (mm)
14-GIANT40	845	1000	4252
14-GIANT55	700	1000	5427
14-GIANT73	700	1000	7255

\*All sizes shown are standard. Subject to change without notice.

# Giant Fan.



