

Driver LC 18W 24V one4all SC PRE

premium series 24 V – dimmable (IP20)

**Product description**

- _ NEW: lumDATA (Luminaire data, Energy reporting and Diagnostics & Maintenance)
- _ Dimmable 24 V constant voltage LED driver for flexible constant voltage strips
- _ Can be either used built-in or independent with clip-on strain-relief
- _ The strain relief is included in both packaging variants. In the single packaging (SP) each Driver has also an individual packaging
- _ one4all interface enables different dimming options
- _ Dimming range 1 to 100 %
- _ No additional external dimmer is needed
- _ Suitable for emergency escape lighting systems acc. to EN 50172
- _ Nominal lifetime up to 50,000 h
- _ 5 years guarantee (conditions at <https://www.tridonic.com/manufacture-guarantee-conditions>)

Typical applications

- _ Cove lighting, facade accent lighting, ceiling integration

Technical details

- _ 24 V, 18 W
- _ Small cross section
- _ Push terminals for simple wiring

Interfaces

- _ one4all (DALI, DSI, switchDIM, corridorFUNCTION)
- _ Terminal blocks: 45° push terminals

System solution

- _ Tridonic LLE-FLEX ADV 600, 1,200, 1,800 lm/m
- _ Tridonic LLE-FLEX EXC 600, 1,200, 1,800, 2,500 lm/m
- _ In connection with Flex accessories wire to PCB plug
- _ Test the function of third party light sources before use at low dimming levels to ensure the dimming function works perfectly

**Website**

<http://www.tridonic.com/28003517>



Spotlights



Downlights



Linear



Area



Floor | Wall



Free-standing



Street



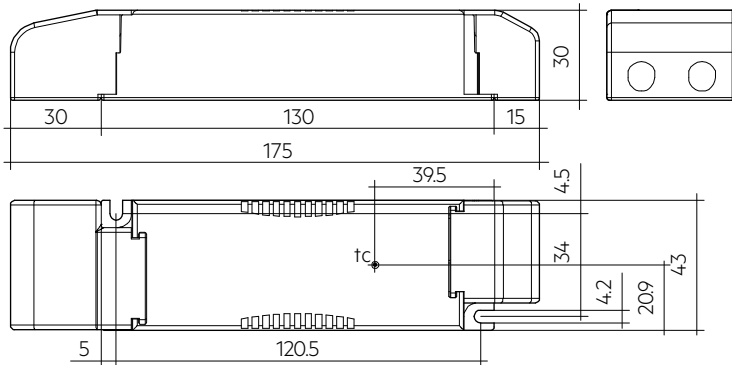
Decorative



High bay

Driver LC 18W 24V one4all SC PRE

premium series 24 V – dimmable (IP20)

**Ordering data**

| Type | Article number | Packaging, carton | Packaging, pallet | Weight per pc. |
|------------------------------|----------------|-------------------|-------------------|----------------|
| Multi packaging | | | | |
| LC 18W 24V one4all SC PRE | 28003517 | 10 pc(s). | 390 pc(s). | 0.108 kg |
| Single packaging | | | | |
| LC 18W 24V one4all SC PRE SP | 28003518 | 10 pc(s). | 480 pc(s). | 0.108 kg |

Technical data

| | |
|---|------------------|
| Rated supply voltage | 220 – 240 V |
| AC voltage range | 198 – 264 V |
| DC voltage range | 176 – 280 V |
| Mains frequency | 0 / 50 / 60 Hz |
| Overvoltage protection | 320 V AC, 48 h |
| Typ. rated current (at 230 V, 50 Hz, full load) ^① | 105 mA |
| Typ. current (220 V, 0 Hz, full load, 15 % dimming level) | 24 mA |
| Leakage current (at 230 V, 50 Hz, full load) ^① | < 500 µA |
| Max. input power | 22 W |
| Typ. efficiency (at 230 V, 50 Hz, full load) | 84 % |
| λ (at 230 V, 50 Hz, full load) ^① | 0.95 |
| Typ. power consumption on stand-by | < 0.5 W |
| Typ. input current in no-load operation | < 20 mA |
| Typ. input power in no-load operation | < 2.5 W |
| In-rush current (peak / duration) | 10.8 A / 225 µs |
| THD (at 230 V, 50 Hz, full load) ^① | < 8 % |
| Output P _{ST_LM} (at full load) | ≤ 1 |
| Output SVM (at full load) | ≤ 0.4 |
| Starting time (at 230 V, 50 Hz, full load) ^① | < 0.65 s |
| Starting time (DC mode) | < 0.32 s |
| Switchover time (AC/DC) | < 0.32 s |
| Turn off time (at 230 V, 50 Hz, full load) | < 0.05 s |
| Output voltage tolerance | ± 1 V |
| Output LF voltage ripple (< 120 Hz) | ± 5 % |
| Max. output voltage (U-OUT) | 60 V |
| PWM frequency | ~ 1 kHz |
| Dimming range | 1 – 100 % |
| Mains surge capability (between L - N) | 1 kV |
| Mains surge capability (between L/N - PE) | 2 kV |
| Type of protection | IP20 |
| Lifetime | up to 50,000 h |
| Guarantee (conditions at www.tridonic.com) | 5 Year(s) |
| Dimensions L x W x H | 130 x 43 x 30 mm |

Approval marks

Standards

EN 55015, EN 61000-3-2, EN 61000-3-3, EN 61347-1, EN 61347-2-13, EN 62384, EN 61547, According to EN 62386-101/102/103, according to EN 50172, according to EN 60598-2-22

Specific technical data

| Type | Load | Output voltage | Output current | Max. output power (at full load) | Typ. power consumption (at full load) | Typ. current consumption | T _c point max. | Ambient temperature T _a |
|------------------------------|-------|----------------|----------------|----------------------------------|---------------------------------------|--------------------------|---------------------------|------------------------------------|
| LC 18W 24V one4all SC PRE | 15 % | 24 V | 113 mA | 2.7 W | 5.0 W | 30 mA | 75 °C | -25 ... +60 °C |
| LC 18W 24V one4all SC PRE | 20 % | 24 V | 150 mA | 3.6 W | 5.7 W | 33 mA | 75 °C | -25 ... +60 °C |
| LC 18W 24V one4all SC PRE | 30 % | 24 V | 225 mA | 5.4 W | 7.7 W | 40 mA | 75 °C | -25 ... +60 °C |
| LC 18W 24V one4all SC PRE | 40 % | 24 V | 300 mA | 7.2 W | 9.5 W | 48 mA | 75 °C | -25 ... +60 °C |
| LC 18W 24V one4all SC PRE | 50 % | 24 V | 375 mA | 9.0 W | 11.6 W | 55 mA | 75 °C | -25 ... +60 °C |
| LC 18W 24V one4all SC PRE | 60 % | 24 V | 450 mA | 10.8 W | 13.3 W | 63 mA | 75 °C | -25 ... +60 °C |
| LC 18W 24V one4all SC PRE | 70 % | 24 V | 525 mA | 12.6 W | 15.5 W | 71 mA | 75 °C | -25 ... +55 °C |
| LC 18W 24V one4all SC PRE | 80 % | 24 V | 600 mA | 14.4 W | 17.2 W | 79 mA | 70 °C | -25 ... +50 °C |
| LC 18W 24V one4all SC PRE | 90 % | 24 V | 675 mA | 16.2 W | 19.2 W | 87 mA | 70 °C | -25 ... +50 °C |
| LC 18W 24V one4all SC PRE | 100 % | 24 V | 750 mA | 18.0 W | 21.3 W | 95 mA | 70 °C | -25 ... +50 °C |
| LC 18W 24V one4all SC PRE SP | 15 % | 24 V | 113 mA | 2.7 W | 5.0 W | 30 mA | 75 °C | -25 ... +60 °C |
| LC 18W 24V one4all SC PRE SP | 20 % | 24 V | 150 mA | 3.6 W | 5.7 W | 33 mA | 75 °C | -25 ... +60 °C |
| LC 18W 24V one4all SC PRE SP | 30 % | 24 V | 225 mA | 5.4 W | 7.7 W | 40 mA | 75 °C | -25 ... +60 °C |
| LC 18W 24V one4all SC PRE SP | 40 % | 24 V | 300 mA | 7.2 W | 9.5 W | 48 mA | 75 °C | -25 ... +60 °C |
| LC 18W 24V one4all SC PRE SP | 50 % | 24 V | 375 mA | 9.0 W | 11.6 W | 55 mA | 75 °C | -25 ... +60 °C |
| LC 18W 24V one4all SC PRE SP | 60 % | 24 V | 450 mA | 10.8 W | 13.3 W | 63 mA | 75 °C | -25 ... +60 °C |
| LC 18W 24V one4all SC PRE SP | 70 % | 24 V | 525 mA | 12.6 W | 15.5 W | 71 mA | 75 °C | -25 ... +55 °C |
| LC 18W 24V one4all SC PRE SP | 80 % | 24 V | 600 mA | 14.4 W | 17.2 W | 79 mA | 70 °C | -25 ... +50 °C |
| LC 18W 24V one4all SC PRE SP | 90 % | 24 V | 675 mA | 16.2 W | 19.2 W | 87 mA | 70 °C | -25 ... +50 °C |
| LC 18W 24V one4all SC PRE SP | 100 % | 24 V | 750 mA | 18.0 W | 21.3 W | 95 mA | 70 °C | -25 ... +50 °C |

① Valid at 100 % dimming level.

1. Standards

EN 55015
 EN 61000-3-2
 EN 61000-3-3
 EN 61347-1
 EN 61347-2-13
 EN 62384
 EN 61547

According to EN 62386-101/102/103

According to EN 50172 for use in central battery systems

According to EN 60598-2-22 suitable for emergency lighting installations

2. Thermal details and lifetime

2.1 Expected lifetime

| Expected lifetime | | | | | | | |
|----------------------------------|-----------------|----------|------------|------------|------------|----------|----------|
| Type | Output load | ta | 40 °C | 45 °C | 50 °C | 55 °C | 60 °C |
| | > 2.7 – 10.8 W | tc | 50 °C | 55 °C | 65 °C | 70 °C | 75 °C |
| | | Lifetime | >100,000 h | >100,000 h | >100,000 h | 90,000 h | 60,000 h |
| LC 18W 24V one4all SC PRE | > 10.8 – 12.6 W | tc | 55 °C | 60 °C | 70 °C | 75 °C | – |
| | | Lifetime | >100,000 h | >100,000 h | 80,000 h | 60,000 h | – |
| | > 12.6 – 18 W | tc | 60 °C | 65 °C | 70 °C | – | – |
| | | Lifetime | >100,000 h | >100,000 h | 70,000 h | – | – |

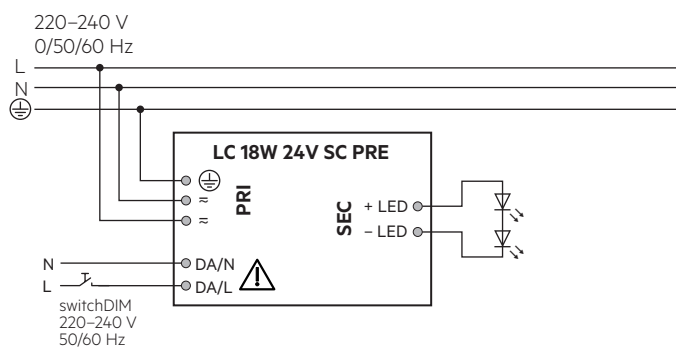
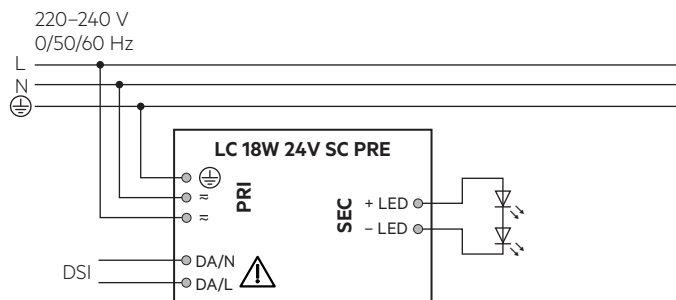
The LED control gear is designed for a lifetime stated above under reference conditions and with a failure probability of less than 10 %.

The relation of tc to ta temperature depends also on the luminaire design.

If the measured tc temperature is approx. 5 K below tc max., ta temperature should be checked and eventually critical components (e.g. ELCAP) measured. Detailed information on request.

3. Installation / wiring

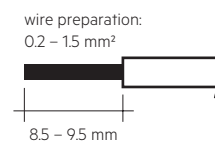
3.1 Circuit diagram



3.2 Wiring type and cross section

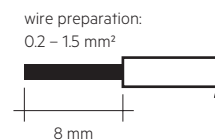
Mains supply wires

For wiring use stranded wire with ferrules or solid wire from 0.2 – 1.5 mm².
 For perfect function of the push-wire terminals (WAGO 250) the strip length should be 8.5 – 9.5 mm.
 Use one wire for each terminal connector only.



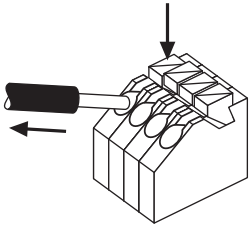
Secondary wires (LED module)

For wiring use stranded wire with ferrules or solid wire from 0.2 – 1.5 mm² (24AWG – 16AWG).
 For perfect function of the push-wire terminals (WAGO 250) the strip length should be 8 mm.
 Use one wire for each terminal connector only.



3.3 Loose wiring

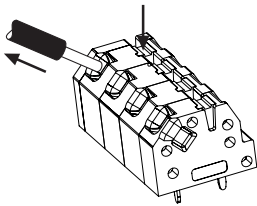
Mains supply wires



Release of the wiring

Press down the "push button" and remove the cable from front.

Secondary wires (LED module)



3.4 Wiring guidelines

- Run the secondary lines separately from the mains connections and lines to achieve good EMC performance.
- The max. secondary cable (LED module) length is 2 m (4 m circuit).
- For good EMC performance, keep the LED wiring as short as possible.
- To comply with the EMC regulations run the secondary wires (LED module) in parallel.
- Secondary switching is not permitted.
- The LED driver has no inverse-polarity protection on the secondary side. Wrong polarity can damage LED modules with no inverse-polarity protection.
- Wrong wiring of the LED driver can lead to malfunction or irreparable damage.
- To avoid the damage of the Driver, the wiring must be protected against short circuits to earth (sharp edged metal parts, metal cable clips, louver, etc.).

3.5 Hot plug-in

Hot plug-in is not supported due to residual output voltage of > 0 V. When connecting an LED load, restart the device to activate the LED output. This can be done via mains reset or via interface (DSI, switchDIM).

3.6 Earth connection

The earth connection is conducted as protection earth (PE). The LED driver can be earthed via earth terminal. If the LED driver will be earthed, protection earth (PE) has to be used. There is no earth connection required for the functionality of the LED driver. Earth connection is recommended to improve following behaviour:

- Electromagnetic interferences (EMI)
- LED glowing at standby
- Transmission of mains transients to the LED output

In general it is recommended to earth the LED driver if the LED module is mounted on earthed luminaire parts respectively heat sinks and thereby representing a high capacity against earth.

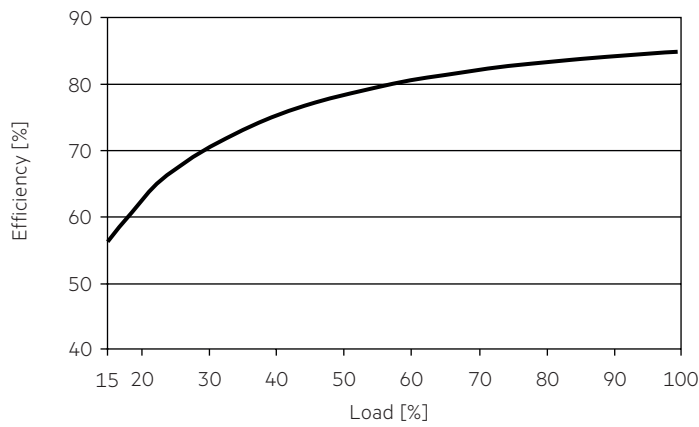
3.9 Control terminals



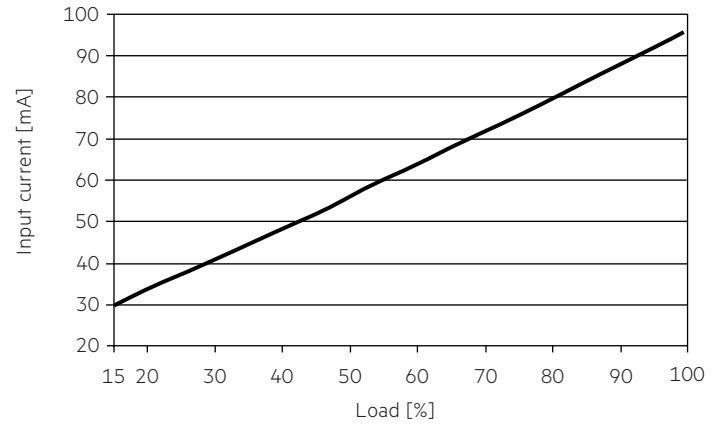
There is a risk of electric shock when touching these terminals in case of failure.

4. Electrical values

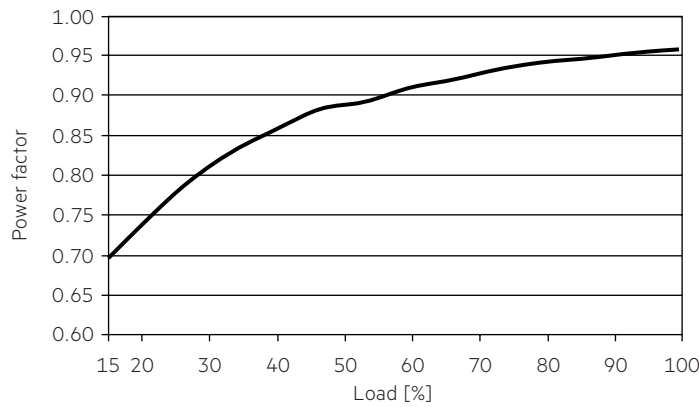
4.1 Efficiency vs. load



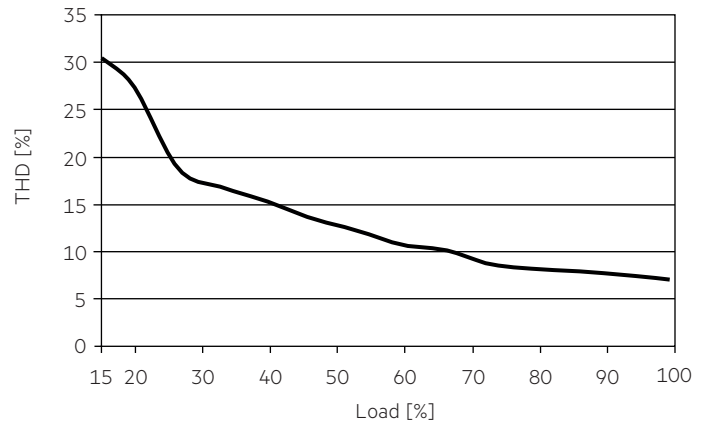
4.4 Input current vs. Load



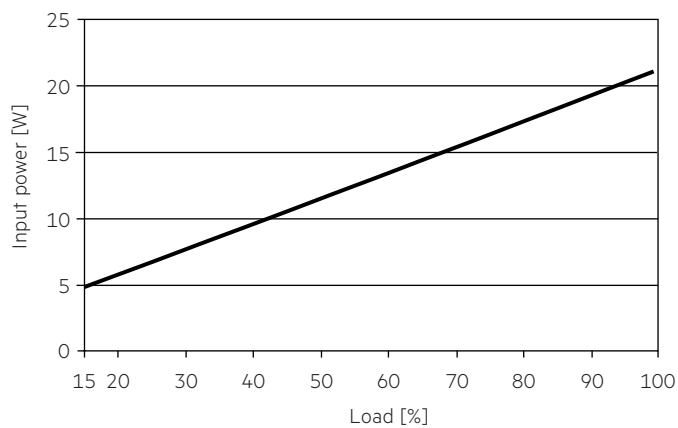
4.2 Power factor vs. Load



4.5 THD vs. Load



4.3 Input power vs. Load



4.6 Maximum loading of automatic circuit breakers in relation to inrush current

| Automatic circuit breaker type | C10 | C13 | C16 | C20 | B10 | B13 | B16 | B20 | Inrush current | |
|----------------------------------|---------------------|---------------------|---------------------|---------------------|---------------------|---------------------|---------------------|---------------------|----------------|--------|
| Installation Ø | 1.5 mm ² | 1.5 mm ² | 2.5 mm ² | 2.5 mm ² | 1.5 mm ² | 1.5 mm ² | 2.5 mm ² | 2.5 mm ² | I_{max} | time |
| LC 18W 24V one4all SC PRE | 36 | 46 | 58 | 73 | 22 | 28 | 35 | 44 | 10.8 A | 225 µs |

These are max. values calculated out of inrush current! Please consider not to exceed the maximum rated continuous current of the circuit breaker.

Calculation uses typical values from ABB series S200 as a reference.

Actual values may differ due to used circuit breaker types and installation environment.

4.7 Harmonic distortion in the mains supply (at 230 V / 50 Hz and full load) in %

| | THD | 3. | 5. | 7. | 9. | 11. |
|----------------------------------|-----|----|----|----|----|-----|
| LC 18W 24V one4all SC PRE | 8 | 7 | 5 | 5 | 5 | 3 |

4.8 Dimming

Dimming range 1% to 100 %

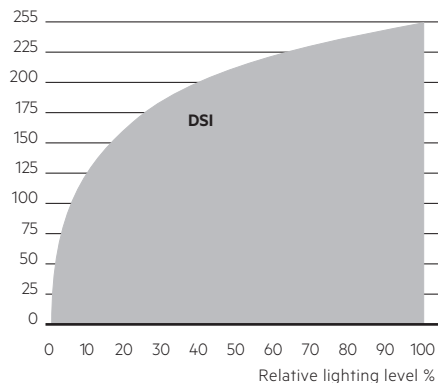
Digital control with:

- DSI signal: 8 bit Manchester Code
Speed 1% to 100% in 1.4 s

Dimming is realized by PWM dimming.

4.9 Dimming characteristics

Digital dimming value



Dimming characteristics as seen by the human eye

5. Interfaces / communication

5.1 Control input (DA/N, DA/L)

Digital signal or switchDIM can be wired on the same terminals (DA/N and DA/L).

The control input is non-polar for digital control signals (DSI). The control signal is not SELV. Control cable has to be installed in accordance to the requirements of low voltage installations. Different functions depending on each module.

5.2 switchDIM

Integrated switchDIM function allows a direct connection of a pushbutton for dimming and switching.

Brief push (< 0.6 s) switches LED control gear ON and OFF. The dimm level is saved at power-down and restored at power-up.

When the pushbutton is held, LED modules are dimmed. After repush the LED modules are dimmed in the opposite direction.

In installations with LED control gears with different dimming levels or opposite dimming directions (e.g. after a system extension), all LED control gears can be synchronized to 50% dimming level by a 10 s push.

Use of pushbutton with indicator lamp is not permitted.

5.3 Light level in DC operation

The LED driver is designed for operation on DC voltage and pulsed DC voltage.

Light output level in DC operation: programmable 1 – 100 % (EOfu = 0.13). Programming by digital signal.

In DC operation dimming mode can be activated.

The voltage-dependent input current of Driver incl. LED module is depending on the used load.

The voltage-dependent no-load current of Driver (without or defect LED module) is for:

AC: < 20 mA

DC: < 13 mA

6. Functions

6.1 Short-circuit behaviour

In case of a short-circuit at the LED output the LED output is switched off. After restart of the LED driver the output will be activated again. The restart can either be done via mains reset or via interface (DSI, switchDIM). Open circuit lamp failure is not recognized.

6.2 Overload protection

If the maximum load is exceeded by a defined internal limit, the LED driver turns off the LED output. After restart of the LED driver the output will be activated again. The restart can either be done via mains reset or via interface (DSI, switchDIM).

6.3 Overtemperature protection

The LED driver is protected against temporary thermal overheating. If the temperature limit is exceeded the output current of the LED module(s) is reduced. The temperature protection is activated above $t_{c\ max}$. The activation temperature differs depending on the LED load. On DC operation this function is deactivated to fulfill emergency requirements.

6.4 corridorFUNCTION

The corridorFUNCTION can be programmed in two different ways. To program the corridorFUNCTION by means of software a DALI-USB interface is needed in combination with a DALI PS. The software can be the masterCONFIGURATOR. To activate the corridorFUNCTION without using software a voltage of 230 V has to be applied for five minutes at the switchDIM connection. The unit will then switch automatically to the corridorFUNCTION.

Note:

If the corridorFUNCTION is wrongly activated in a switchDIM system (for example a switch is used instead of pushbutton), there is the option of installing a pushbutton and deactivating the corridorFUNCTION mode by five short pushes of the button within three seconds.

switchDIM and corridorFUNCTION are very simple tools for controlling gears with conventional pushbuttons or motion sensors. To ensure correct operation a sinusoidal mains voltage with a frequency of 50 Hz or 60 Hz is required at the control input. Special attention must be paid to achieving clear zero crossings. Serious mains faults may impair the operation of switchDIM and corridorFUNCTION.

6.5 Constant light output (CLO)

The luminous flux of an LED decreases constantly over the lifetime. The CLO function ensures that the emitted luminous flux remains stable. For that purpose the LED current will increase continuously over the LED lifetime. In masterCONFIGURATOR it is possible to select a start value (in percent) and an expected lifetime. The LED driver adjusts the current afterwards automatically.

6.6 Power-up/-down fading

The power-up/-down function offers the opportunity to modify the on-/off behavior. The time for fading on or off can be adjusted in a range of 0.2 to 16 seconds. According to this value, the device dims either from 0 % up to the power-on level or from the current set dim level down to 0 %. This feature applies while operating via switchDIM and when switching the mains voltage on or off. By factory default no fading time is set (= 0 seconds).

6.7 Software / programming

With appropriate software and a interface different functions can be activated and various parameters can be configured in the LED driver. To do so, a DALI-USB and the software (masterCONFIGURATOR) are required.

6.8 masterCONFIGURATOR

From version 2.8:
For programming functions (CLO, power-up fading, corridorFUNCTION) and device settings (fade time, ePowerOnLevel, DC level, etc.).
For further information see masterCONFIGURATOR manual.

6.9 deviceCONFIGURATOR

PC (windows) based software application to transfer parameters into our drivers.
Workflow optimised for the use in OEM production line.
For further information see deviceCONFIGURATOR manual.

7. Miscellaneous

7.1 Insulation and electric strength testing of luminaires

Electronic devices can be damaged by high voltage. This has to be considered during the routine testing of the luminaires in production.

According to IEC 60598-1 Annex Q (informative only!) or ENEC 303-Annex A, each luminaire should be submitted to an insulation test with 500 V_{DC} for 1 second. This test voltage should be connected between the interconnected phase and neutral terminals and the earth terminal. The insulation resistance must be at least 2 MΩ.

As an alternative, IEC 60598-1 Annex Q describes a test of the electrical strength with 1500 V_{AC} (or 1.414 x 1500 V_{DC}). To avoid damage to the electronic devices this test must not be conducted.

7.2 Conditions of use and storage

Humidity: 5% up to max. 85%,
not condensed
(max. 56 days/year at 85%)

Storage temperature: -40 °C up to max. +80 °C

The devices have to be acclimatised to the specified temperature range (ta) before they can be operated.

The LED driver is declared as inbuilt LED controlgear, meaning it is intended to be used within a luminaire enclosure.

If the product is used outside a luminaire, the installation must provide suitable protection for people and environment (e.g. in illuminated ceilings).

7.3 Maximum number of switching cycles

All LED driver are tested with 50,000 switching cycles.
The actually achieved number of switching cycles is significantly higher.

7.4 Additional information

Additional technical information at www.tridonic.com → Technical Data

Lifetime declarations are informative and represent no warranty claim.
No warranty if device was opened.