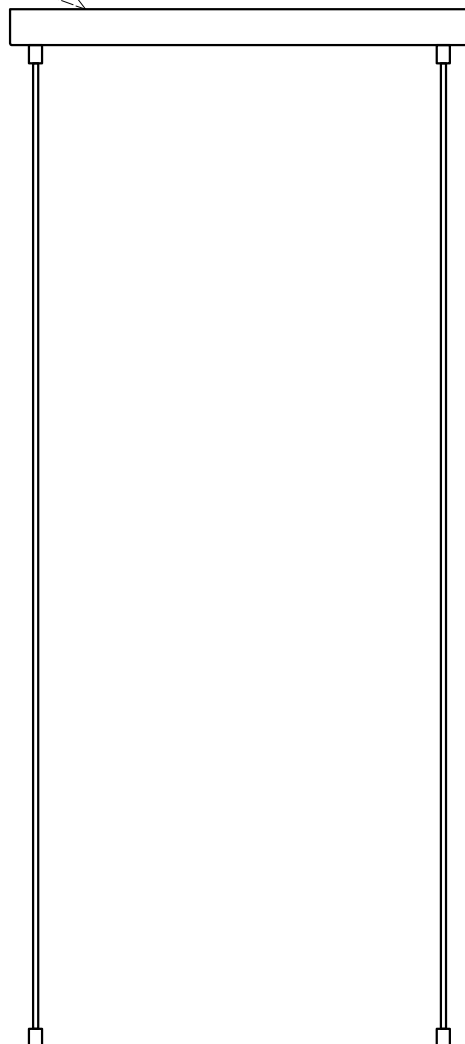
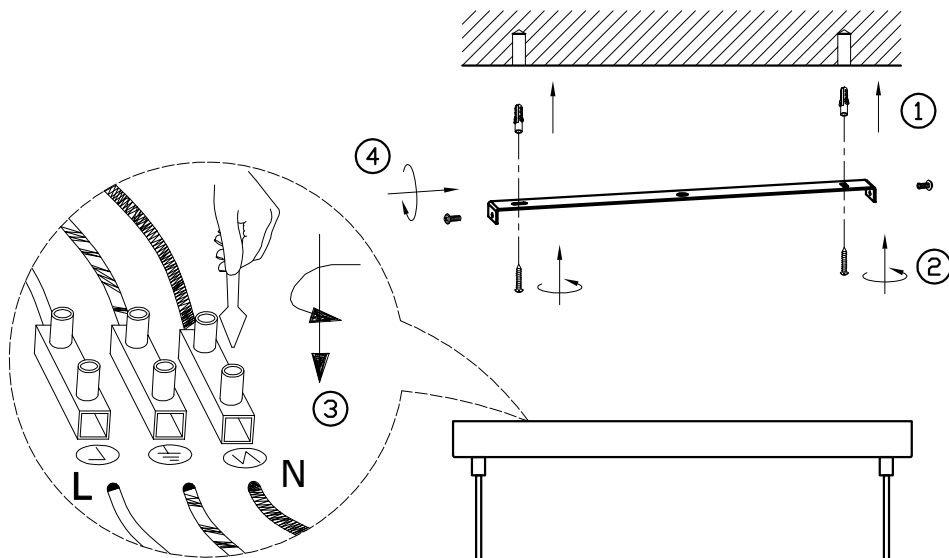


ITEM NO.: TRUSO PE150-BKWL



IMPORTANT
Must be installed by
a qualified electrical
contractor.
Install in accordance
with AS/NZS3000

240V ~ 50Hz LED Max.30W 3000K/4000K/5000K CCT

TRAILING EDGE DIMMER



Telbix.