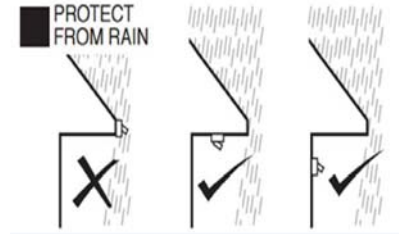
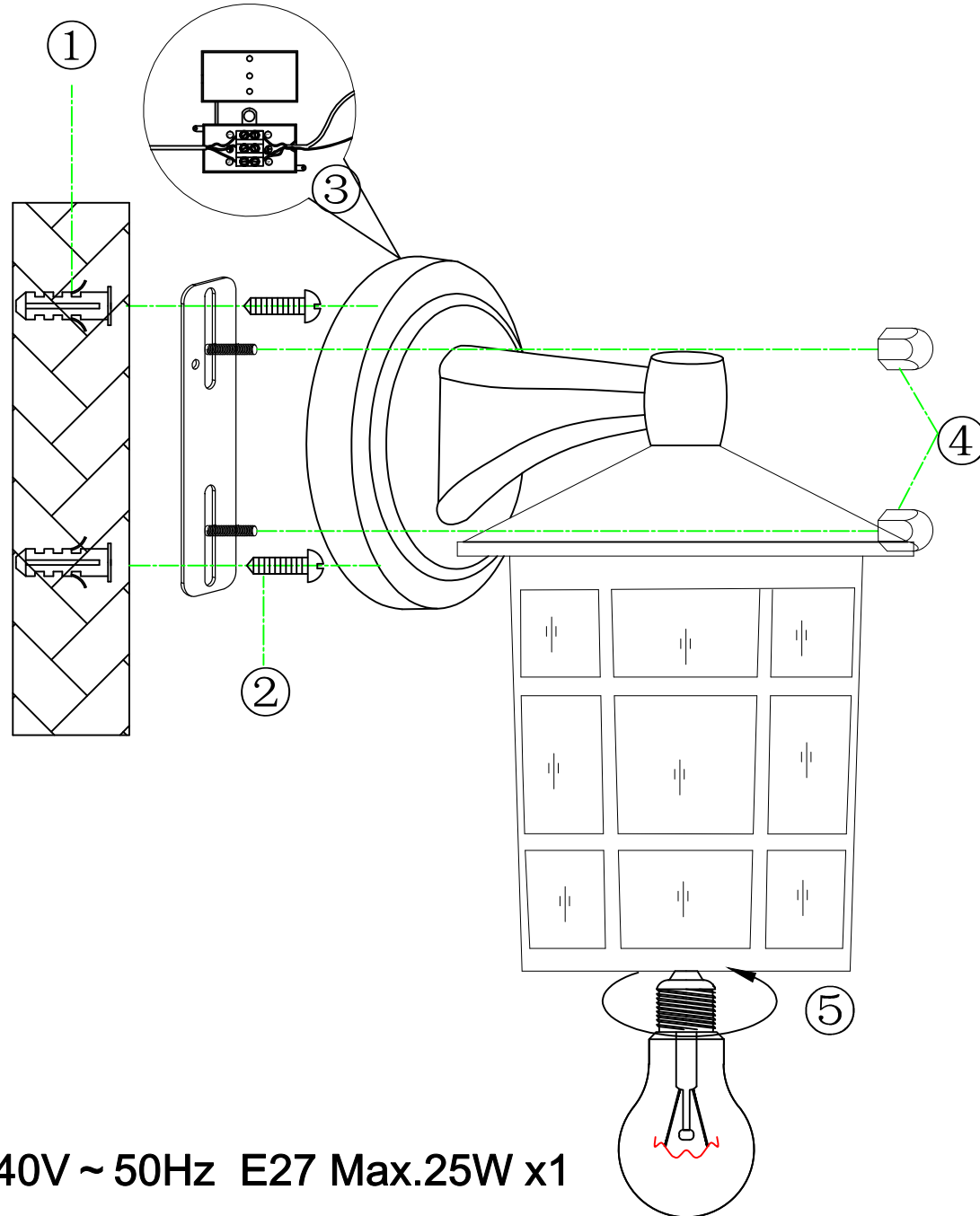


ITEM NO.:NADIRA EX



- Disclaimer:
- Tools not included
 - Shade ring attached on lamp holder
 - Globe(s) not included

IMPORTANT
Must be installed by a qualified electrical contractor.
Install in accordance with AS/NZS3000