

Last modification

2022-02-16

## MORAN PE03-AGOP 9329501060391



The Moran pendant will add elegance and style to your living space. This linear suspension is simple and striking, with just right mix of mouth blown glass globes positioned around the central body. Available as an extra long horizontal 14 light or a vertical 3 light pendant. 3 color combinations.

### Overview

<b>Family name</b>	Moran
<b>Categories</b>	Pendants
<b>Mounting</b>	Surface
<b>This item includes</b>	Glass,Suspension
<b>Shade Shape</b>	Round
<b>Suspension Type</b>	Rod (1x300)+(2x600)
<b>Usage</b>	Indoor Lighting

### Color / Material

<b>Fixture Color</b>	Antique Gold,Opal Matt
<b>Fixture Material</b>	Metal,Glass
<b>Canopy Color</b>	Antique Gold
<b>Shade Material</b>	Glass
<b>Glass Color</b>	Opal Matt

### Size

<b>Fixture Diameter (cm)</b>	23.5
<b>Fixture Height (cm)</b>	35.5
<b>Canopy Diameter (cm)</b>	12.0
<b>Canopy Projection (cm)</b>	2.5
<b>Shade Diameter (cm)</b>	10.0

### Specification

<b>Voltage Input</b>	240V
<b>Wattage (max)</b>	9
<b>Wattage</b>	3
<b>Globe Type</b>	G9

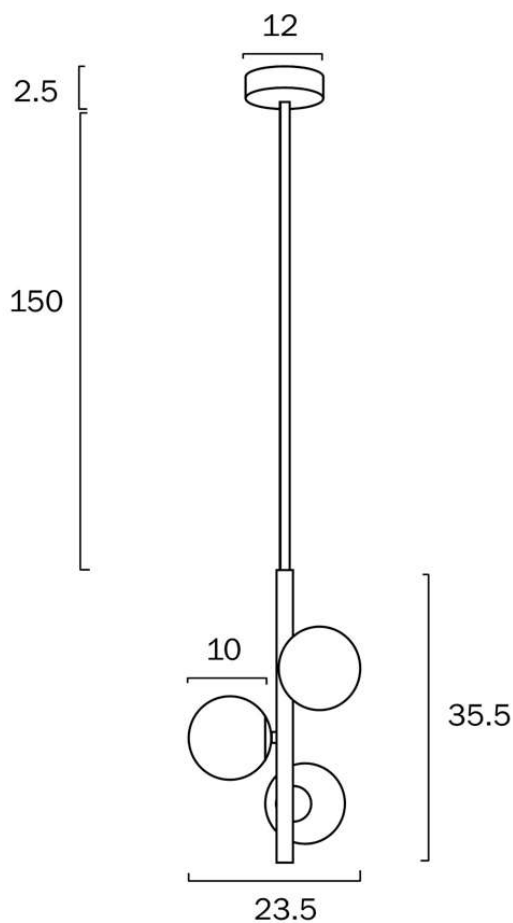
All representations within this document are subject to copyright.ELECTRICAL INSTALLATIONS MUST BE PERFORMED BY A QUALIFIED ELECTRICAL CONTRACTOR AND INSTALLED IN ACCORDANCE WITH AS/NZS 3000.  
NOTE : All images , descriptions and dimensions are indicative. Please check latest version of item detail on Telbix website prior to ordering or installation.

<b>Globe / Light Source qty</b>	3
<b>Globe / Light Source included</b>	No
<b>Dimmable</b>	Globe Dependant
<b>Electrical Protection</b>	CLASS I - HIGH VOLTAGE, EARTH REQUIRED
<b>IP rating</b>	IP20
<b>Approvals</b>	AS/NZ 3000
<b>Assembly Required</b>	Yes
<b>Box Contents</b>	Basic mounting screws,Instruction
<b>Installation Required</b>	Yes (by Licensed Electrician only)
<b>Care Instructions</b>	Do not use strong liquid cleaners,Wipe clean with a dry cloth
<b>Warranty</b>	3 Years

### Barcode

**GTIN** 9329501060391

### Image -dimensions







Last modification

2022-02-16

## MORAN PE03-BKOP 9329501062258



The Moran pendant will add elegance and style to your living space. This linear suspension is simple and striking, with just right mix of mouth blown glass globes positioned around the central body. Available as an extra long horizontal 14 light or a vertical 3 light pendant. 3 color combinations.

### Overview

<b>Family name</b>	Moran
<b>Categories</b>	Pendants
<b>Mounting</b>	Surface
<b>This item includes</b>	Glass,Suspension
<b>Shade Shape</b>	Round
<b>Suspension Type</b>	Rod (1x300)+(2x600)
<b>Usage</b>	Indoor Lighting

### Color / Material

<b>Fixture Color</b>	Black,Opal Matt
<b>Fixture Material</b>	Metal,Glass
<b>Canopy Color</b>	Black
<b>Shade Material</b>	Glass
<b>Glass Color</b>	Opal Matt

### Size

<b>Fixture Diameter (cm)</b>	23.5
<b>Fixture Height (cm)</b>	35.5
<b>Canopy Diameter (cm)</b>	12.0
<b>Canopy Projection (cm)</b>	2.5
<b>Shade Diameter (cm)</b>	10.0

### Specification

<b>Voltage Input</b>	240V
<b>Wattage (max)</b>	9
<b>Wattage</b>	3
<b>Globe Type</b>	G9

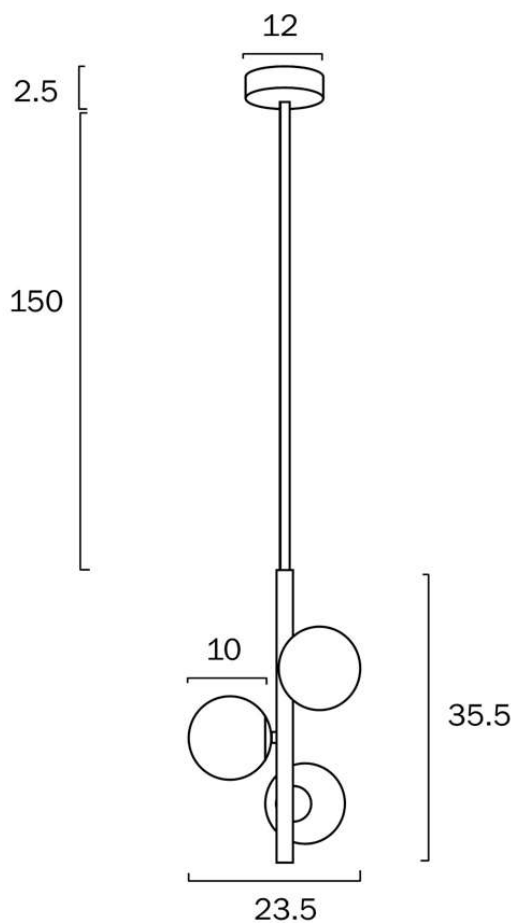
All representations within this document are subject to copyright.ELECTRICAL INSTALLATIONS MUST BE PERFORMED BY A QUALIFIED ELECTRICAL CONTRACTOR AND INSTALLED IN ACCORDANCE WITH AS/NZS 3000.  
NOTE : All images , descriptions and dimensions are indicative. Please check latest version of item detail on Telbix website prior to ordering or installation.

<b>Globe / Light Source qty</b>	3
<b>Globe / Light Source included</b>	No
<b>Dimmable</b>	Globe Dependant
<b>Electrical Protection</b>	CLASS I - HIGH VOLTAGE, EARTH REQUIRED
<b>IP rating</b>	IP20
<b>Approvals</b>	AS/NZ 3000
<b>Assembly Required</b>	Yes
<b>Box Contents</b>	Basic mounting screws,Instruction
<b>Installation Required</b>	Yes (by Licensed Electrician only)
<b>Care Instructions</b>	Do not use strong liquid cleaners,Wipe clean with a dry cloth
<b>Warranty</b>	3 Years

Barcode

**GTIN** 9329501062258

Image -dimensions









Last modification

2022-02-16

## MORAN PE03-BKSM 9329501060407



The Moran pendant will add elegance and style to your living space. This linear suspension is simple and striking, with just right mix of mouth blown glass globes positioned around the central body. Available as an extra long horizontal 14 light or a vertical 3 light pendant. 3 color combinations.

### Overview

<b>Family name</b>	Moran
<b>Categories</b>	Pendants
<b>Mounting</b>	Surface
<b>This item includes</b>	Glass,Suspension
<b>Shade Shape</b>	Round
<b>Suspension Type</b>	Rod (1x300)+(2x600)
<b>Usage</b>	Indoor Lighting

### Color / Material

<b>Fixture Color</b>	Black,Smoke
<b>Fixture Material</b>	Metal,Glass
<b>Canopy Color</b>	Black
<b>Shade Material</b>	Glass
<b>Glass Color</b>	Smoke

### Size

<b>Fixture Diameter (cm)</b>	23.5
<b>Fixture Height (cm)</b>	35.5
<b>Canopy Diameter (cm)</b>	12.0
<b>Canopy Projection (cm)</b>	2.5
<b>Shade Diameter (cm)</b>	10.0

### Specification

<b>Voltage Input</b>	240V
<b>Wattage (max)</b>	9
<b>Wattage</b>	3
<b>Globe Type</b>	G9

All representations within this document are subject to copyright.ELECTRICAL INSTALLATIONS MUST BE PERFORMED BY A QUALIFIED ELECTRICAL CONTRACTOR AND INSTALLED IN ACCORDANCE WITH AS/NZS 3000.  
NOTE : All images , descriptions and dimensions are indicative. Please check latest version of item detail on Telbix website prior to ordering or installation.

<b>Globe / Light Source qty</b>	3
<b>Globe / Light Source included</b>	No
<b>Dimmable</b>	Globe Dependant
<b>Electrical Protection</b>	CLASS I - HIGH VOLTAGE, EARTH REQUIRED
<b>IP rating</b>	IP20
<b>Approvals</b>	AS/NZ 3000
<b>Assembly Required</b>	Yes
<b>Box Contents</b>	Basic mounting screws,Instruction
<b>Installation Required</b>	Yes (by Licensed Electrician only)
<b>Care Instructions</b>	Do not use strong liquid cleaners,Wipe clean with a dry cloth
<b>Warranty</b>	3 Years

### Barcode

**GTIN** 9329501060407

### Image -dimensions

