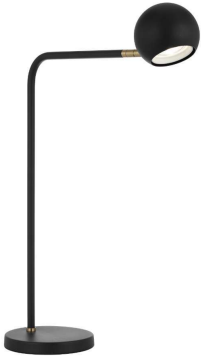


Last modification

2024-02-15

JEREMY TL-BK
9329501068403



The Jeremy range of table and floor lamps redefines contemporary lighting with its stylish design and practical features. Available in sleek black and grey options, these lamps boast a refined sand finish, adding a modern touch to any setting. The standout characteristic is the 360-degree rotatable lamp head, providing unparalleled flexibility in directing light precisely where it's needed.

Overview

| | |
|----------------------------------|-----------------|
| Family name | Jeremy |
| Categories | Table Lamps |
| Usage | Indoor Lighting |
| ERAC Product Registration | SAA-210304-EA |

Color / Material

| | |
|-------------------------|----------------------|
| Fixture Color | Black, Antique Brass |
| Fixture Finish | Sand |
| Fixture Material | Iron |
| Cable Color | Black |
| Cable Material | PVC |

Size

| | |
|----------------------------|----------------------------|
| Fixture Length (cm) | 15.0 |
| Fixture Width (cm) | 41.0 |
| Fixture Height (cm) | 54.0 |
| Base Diameter (cm) | 15.0 |
| Shade Diameter (cm) | 10.0 |
| Cable Length (cm) | 180 (30+Inline Switch+150) |

Specification

| | |
|--------------------------------------|-----------------|
| Voltage Input | 240V |
| Total Wattage (max) | 9 |
| Globe Type | GU10 |
| Globe / Light Source qty | 1 |
| Globe / Light Source included | No |
| Dimmable | Globe Dependant |

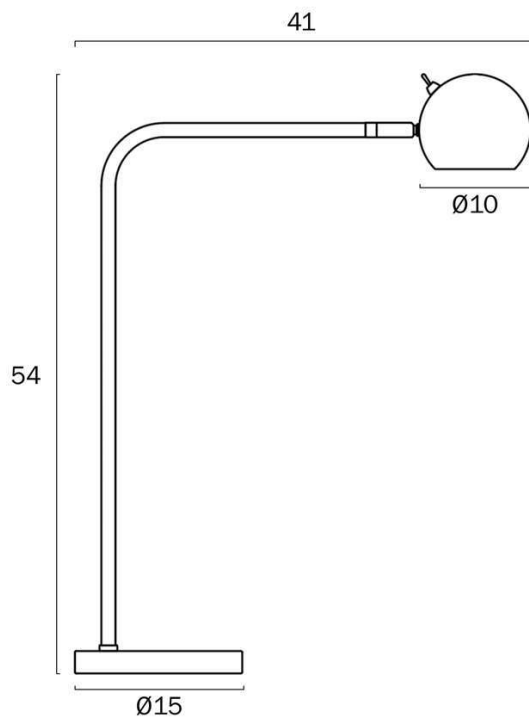
All representations within this document are subject to copyright. ELECTRICAL INSTALLATIONS MUST BE PERFORMED BY A QUALIFIED ELECTRICAL CONTRACTOR AND INSTALLED IN ACCORDANCE WITH AS/NZS 3000.
NOTE : All images , descriptions and dimensions are indicative. Please check latest version of item detail on Telbix website prior to ordering or installation.

| | |
|------------------------------|--|
| Electrical Protection | CLASS II - DOUBLE INSULATED, EARTH NOT REQUIRED |
| IP rating | IP20 |
| Lead and Plug | Yes |
| Approvals | RCM |
| Care Instructions | Do not use strong liquid cleaners, Wipe clean with a dry cloth |
| Replacement Warranty | *3 Years |

Barcode

GTIN 9329501068403

Image -dimensions



Note: Dimensions are only a guide and may vary due to manufacturing variations.



Last modification

2024-02-15

JEREMY TL-GY 9329501068410



The Jeremy range of table and floor lamps redefines contemporary lighting with its stylish design and practical features. Available in sleek black and grey options, these lamps boast a refined sand finish, adding a modern touch to any setting. The standout characteristic is the 360-degree rotatable lamp head, providing unparalleled flexibility in directing light precisely where it's needed.

Overview

| | |
|----------------------------------|-----------------|
| Family name | Jeremy |
| Categories | Table Lamps |
| Usage | Indoor Lighting |
| ERAC Product Registration | SAA-210304-EA |

Color / Material

| | |
|-------------------------|---------------------|
| Fixture Color | Grey, Antique Brass |
| Fixture Finish | Sand |
| Fixture Material | Iron |
| Cable Color | Black |
| Cable Material | PVC |

Size

| | |
|----------------------------|----------------------------|
| Fixture Length (cm) | 15.0 |
| Fixture Width (cm) | 41.0 |
| Fixture Height (cm) | 54.0 |
| Base Diameter (cm) | 15.0 |
| Shade Diameter (cm) | 10.0 |
| Cable Length (cm) | 180 (30+Inline Switch+150) |

Specification

| | |
|--------------------------------------|-----------------|
| Voltage Input | 240V |
| Total Wattage (max) | 9 |
| Globe Type | GU10 |
| Globe / Light Source qty | 1 |
| Globe / Light Source included | No |
| Dimmable | Globe Dependant |

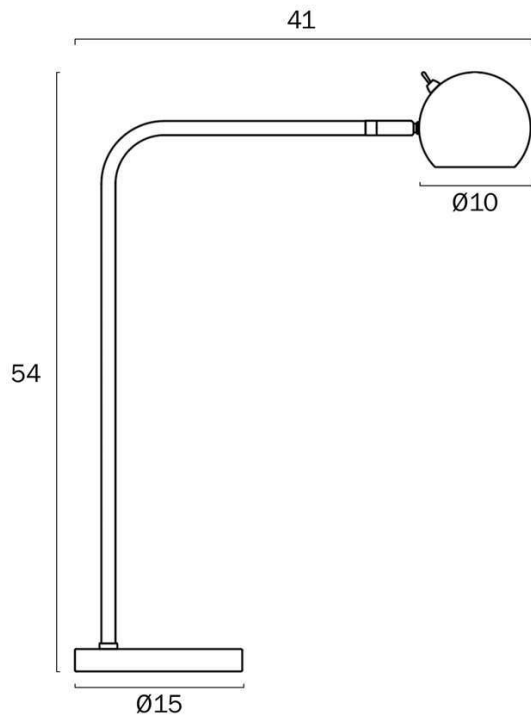
All representations within this document are subject to copyright. ELECTRICAL INSTALLATIONS MUST BE PERFORMED BY A QUALIFIED ELECTRICAL CONTRACTOR AND INSTALLED IN ACCORDANCE WITH AS/NZS 3000.
NOTE : All images , descriptions and dimensions are indicative. Please check latest version of item detail on Telbix website prior to ordering or installation.

| | |
|------------------------------|--|
| Electrical Protection | CLASS II - DOUBLE INSULATED, EARTH NOT REQUIRED |
| IP rating | IP20 |
| Lead and Plug | Yes |
| Approvals | RCM |
| Care Instructions | Do not use strong liquid cleaners, Wipe clean with a dry cloth |
| Replacement Warranty | *3 Years |

Barcode

GTIN 9329501068410

Image -dimensions



Note: Dimensions are only a guide and may vary due to manufacturing variations.

