

Last modification

2023-11-23

## DESIRE TL-BKBK

9329501054550



The Desire table lamp is a striking focal point of simple design. A luxury marble base is flanked by an antique gold frame supporting a fabric drum shade. Available in Black or White marble.

### Overview

<b>Family name</b>	Desire
<b>Categories</b>	Table Lamps
<b>This item includes</b>	Shade
<b>Shade Shape</b>	Drum
<b>Switch</b>	Inline Switch
<b>Usage</b>	Indoor Lighting

### Color / Material

<b>Fixture Color</b>	Black, Antique Gold
<b>Fixture Material</b>	Marble, Metal, Fabric
<b>Shade Color</b>	Black
<b>Shade Material</b>	Fabric, Plastic
<b>Base Color</b>	Black, Antique Gold
<b>Base Material</b>	Marble, Metal
<b>Cable Color</b>	Black
<b>Cable Material</b>	PVC

### Size

<b>Fixture Diameter (cm)</b>	32.0
<b>Fixture Height (cm)</b>	60.0
<b>Base Diameter (cm)</b>	13.0
<b>Base Height (cm)</b>	46.0
<b>Shade Diameter (cm)</b>	32.0
<b>Shade Height (cm)</b>	21.0
<b>Cable Length (cm)</b>	180 (30+Inline Switch+150)

### Specification

<b>Voltage Input</b>	240V
----------------------	------

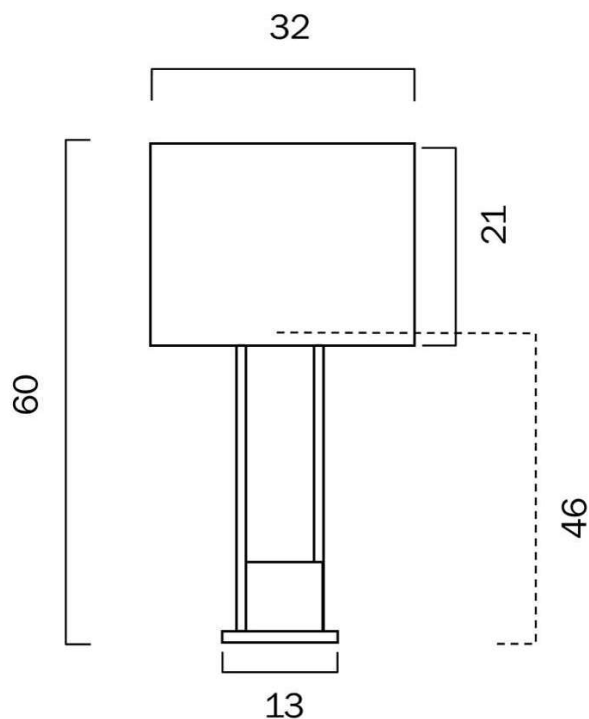
All representations within this document are subject to copyright. ELECTRICAL INSTALLATIONS MUST BE PERFORMED BY A QUALIFIED ELECTRICAL CONTRACTOR AND INSTALLED IN ACCORDANCE WITH AS/NZS 3000.  
NOTE : All images , descriptions and dimensions are indicative. Please check latest version of item detail on Telbix website prior to ordering or installation.

<b>Total Wattage (max)</b>	25
<b>Globe Type</b>	E27
<b>Globe / Light Source qty</b>	1
<b>Globe / Light Source included</b>	No
<b>Dimmable</b>	Globe Dependant
<b>Electrical Protection</b>	CLASS II - DOUBLE INSULATED, EARTH NOT REQUIRED
<b>IP rating</b>	IP20
<b>Lead and Plug</b>	Yes
<b>Approvals</b>	RCM
<b>Box Contents</b>	Instruction
<b>Care Instructions</b>	Do not use strong liquid cleaners, Wipe clean with a dry cloth
<b>Replacement Warranty</b>	*3 Years

## Barcode

**GTIN** 9329501054550

## Image -dimensions





Last modification

2023-11-23

## DESIRE TL-AGWH

9329501054543



The Desire table lamp is a striking focal point of simple design. A luxury marble base is flanked by an antique gold frame supporting a fabric drum shade. Available in Black or White marble.

### Overview

<b>Family name</b>	Desire
<b>Categories</b>	Table Lamps
<b>This item includes</b>	Shade
<b>Shade Shape</b>	Drum
<b>Switch</b>	Inline Switch
<b>Usage</b>	Indoor Lighting

### Color / Material

<b>Fixture Color</b>	White, Antique Gold, Cream
<b>Fixture Material</b>	Marble, Metal, Fabric
<b>Shade Color</b>	Cream
<b>Shade Material</b>	Fabric, Plastic
<b>Base Color</b>	White, Antique Gold
<b>Base Material</b>	Marble, Metal
<b>Cable Color</b>	Black
<b>Cable Material</b>	PVC

### Size

<b>Fixture Diameter (cm)</b>	32.0
<b>Fixture Height (cm)</b>	60.0
<b>Base Diameter (cm)</b>	13.0
<b>Base Height (cm)</b>	46.0
<b>Shade Diameter (cm)</b>	32.0
<b>Shade Height (cm)</b>	21.0
<b>Cable Length (cm)</b>	180 (30+Inline Switch+150)

### Specification

<b>Voltage Input</b>	240V
----------------------	------

All representations within this document are subject to copyright. ELECTRICAL INSTALLATIONS MUST BE PERFORMED BY A QUALIFIED ELECTRICAL CONTRACTOR AND INSTALLED IN ACCORDANCE WITH AS/NZS 3000.  
NOTE : All images , descriptions and dimensions are indicative. Please check latest version of item detail on Telbix website prior to ordering or installation.

<b>Total Wattage (max)</b>	25
<b>Globe Type</b>	E27
<b>Globe / Light Source qty</b>	1
<b>Globe / Light Source included</b>	No
<b>Dimmable</b>	Globe Dependant
<b>Electrical Protection</b>	CLASS II - DOUBLE INSULATED, EARTH NOT REQUIRED
<b>IP rating</b>	IP20
<b>Lead and Plug</b>	Yes
<b>Approvals</b>	RCM
<b>Box Contents</b>	Instruction
<b>Care Instructions</b>	Do not use strong liquid cleaners, Wipe clean with a dry cloth
<b>Replacement Warranty</b>	*Clearance item 1 year warranty

## Barcode

**GTIN** 9329501054543

## Image -dimensions

