

# Industrial Range

## Street Lights

### Street Light – “Shoe Box”

Product Code	LED's	Battery	Solar Panel	IP Rating	Lumens
SLDSTL-15W-AIO	160LM/W USA Cree LEDs (Cool White)	1 x 3.7V 26.4Ah Lithium LiFePO4	20W Integrated Monocrystalline Silicon	65	2400 @ 1m

#### Features:

- Aluminium Alloy (Oxidation) Construction
- Integrated MPPT Smart Controller
- Approximately 6–8 hours Charging Time
- Integrated PIR Control
  - 30% Illumination operation, 100% Illumination for approx. 10 mins when the sensor is triggered
- All-In-One Construction
- Adjustable Spigot
- Strength & Durability Rating: IK10

**2 Year Warranty!**



#### Packaged Fitting Weight & Dimensions

W: 8.9kg

D: 67cm x 34cm x 16.5cm

# Industrial Range

## Street Lights

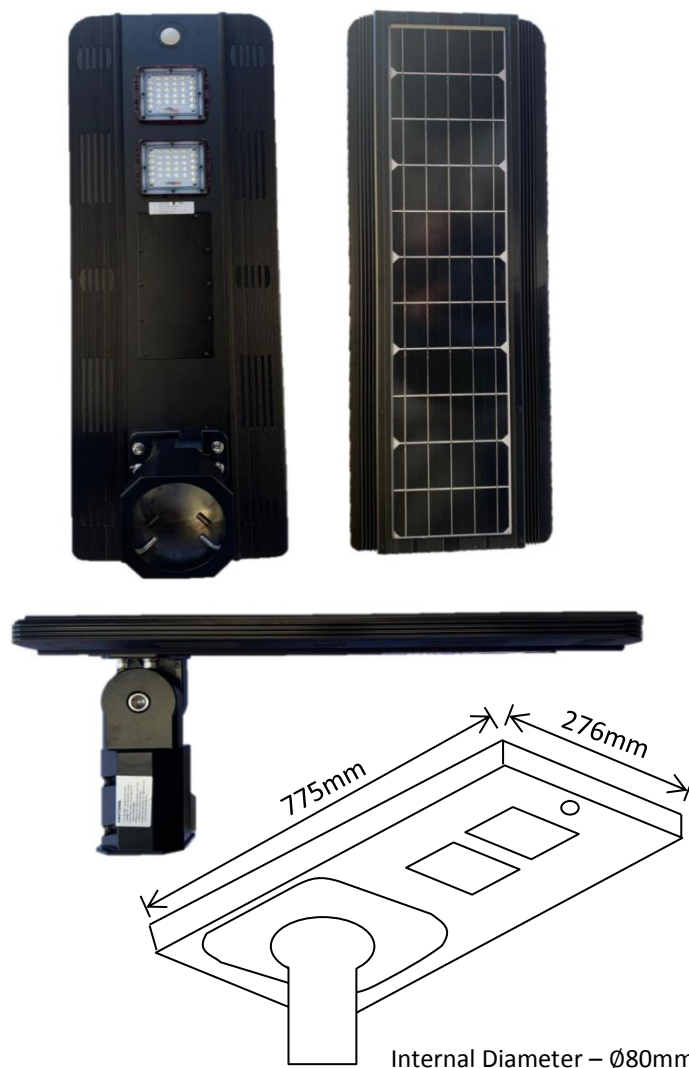
### Street Light – “Shoe Box”

Product Code	LED's	Battery	Solar Panel	IP Rating	Lumens
SLDSTL-25W-AIO	160LM/W USA Cree LEDs (Cool White)	1 x 3.7V 39.6Ah Lithium LiFePO4	30W Integrated Monocrystalline Silicon	65	4000 @ 1m

#### Features:

- Aluminium Alloy (Oxidation) Construction
- Integrated MPPT Smart Controller
- Approximately 6–8 hours Charging Time
- Integrated PIR Control
  - 30% Illumination operation, 100% Illumination for approx. 10 mins when the sensor is triggered
- All-In-One Construction
- Adjustable Spigot
- Strength & Durability Rating: IK10

**2 Year Warranty!**



#### Packaged Fitting Weight & Dimensions

W: 12.2kg

D: 92cm x 34.5cm x 17cm

# Industrial Range

## Street Lights

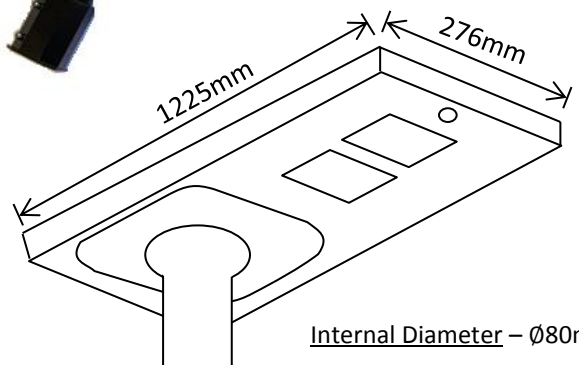
### Street Light – “Shoe Box”

Product Code	LED's	Battery	Solar Panel	IP Rating	Lumens
SLDSTL-40W-AIO	160LM/W USA Cree LEDs (Cool White)	1 x 3.7V 46.2Ah Lithium LiFePO4	48W Integrated Monocrystalline Silicon	65	6400 @ 1m

#### Features:

- Aluminium Alloy (Oxidation) Construction
- Integrated MPPT Smart Controller
- Approximately 6–8 hours Charging Time
- Integrated PIR Control
  - 30% Illumination operation, 100% Illumination for approx. 10 mins when the sensor is triggered
- All-In-One Construction
- Adjustable Spigot
- Strength & Durability Rating: IK10

**2 Year Warranty!**



#### Packaged Fitting Weight & Dimensions

W: 17.1kg

D: 131cm x 35cm x 20cm