

Side Wall Exhaust Fan.

Product datasheet



Side Wall Exhaust Fan.

Fanquip's Side Wall Exhaust Fan has a heavy-duty weatherproof design and galvanized construction used for extracting large volumes of heat, steam or dust from industrial or agricultural buildings.

The Fanquip Side Wall Exhaust Fan is available using adjustable pitch GRP (Glassfiber Reinforced Polypropylene) or cast aluminium airfoil impellers. The casing is fully welded steel construction with an inlet flare and hot dip galvanised finish. An aluminium gravity closing damper is fitted to the discharge side, and connected to the fan casing with a galvanised steel housing. The units are fitted with direct driven single-phase 240V or three-phase 415V heavy-duty motors of rugged construction, which incorporate sealed ball bearings to reduce operating noise.

There is a comprehensive range available with fan diameters ranging from 300mm to 1200mm.

Key features.



- ✓ Hot dip galvanised casing / galvanised housing
- ✓ Aluminium gravity closing damper
- ✓ Inlet finger guard
- ✓ IP55 motor
- ✓ GRP adjustable pitch blades
- ✓ 2m lead & 3 pin 10A plug (240V models)
- ✓ 3m lead, no plug (415V models)

Applications.

The Side Wall Exhaust Fan has an extensive range of applications.

Installation locations.

- ✓ Agriculture
- ✓ Construction
- ✓ Food Processing
- ✓ Laundry
- ✓ Manufacturing
- ✓ Mining and Metals
- ✓ Smelters and Refineries
- ✓ Warehouse

Extraction applications.

- ✓ Fumes
- ✓ Contaminated air
- ✓ Heat
- ✓ Steam



Options.

- Aluminum or stainless steel casings
- Powder coated finish
- Aluminium adjustable pitch blades
- Hazardous location rated – Exe, Exd, ExnA, Extd
- IP56 or IP66 motor
- Motorised damper

Technical advice.

Fanquip have technical consultants to provide guidance on the specifications required to suit your Side Wall Exhaust Fan use and application.

Warranty.

Twelve-month guarantee on the mechanical and electrical componentry subject to satisfactory maintenance with assessment and rectification, if any, to take place after return by the customer to Fanquip's workshop. Extended warranty options available on request.

Installation & maintenance.

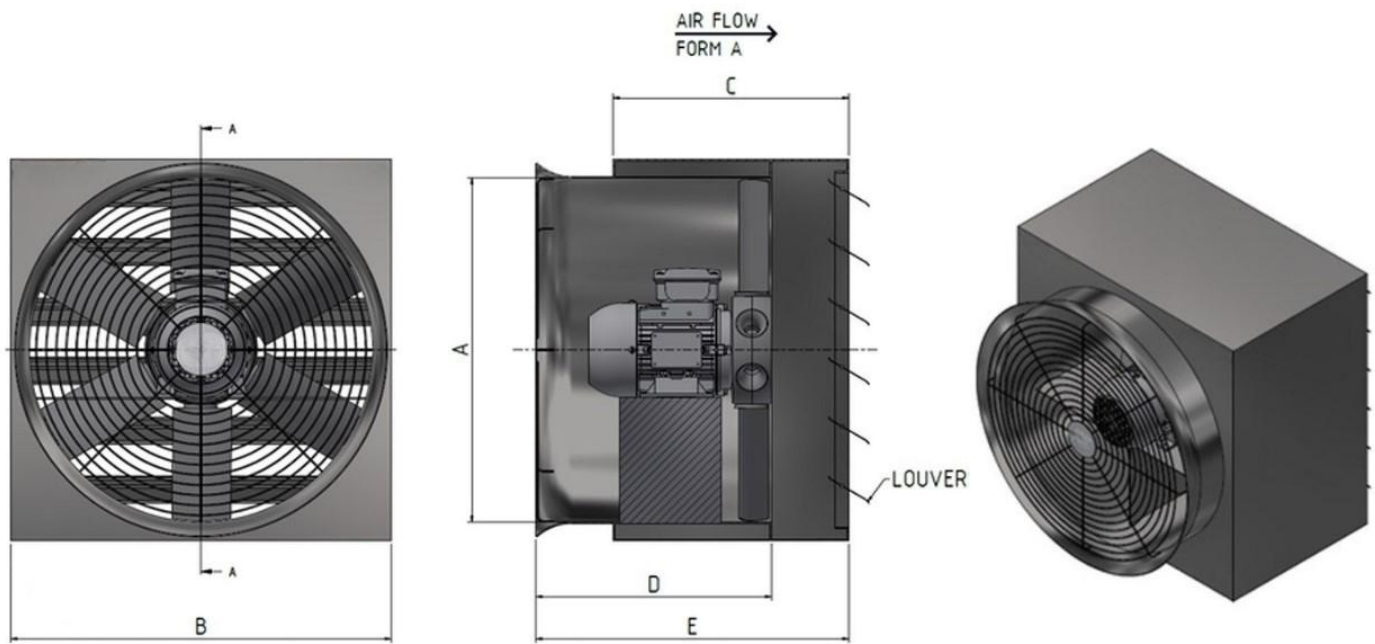
The necessary procedures are outlined in the Fanquip installation, operation and maintenance instructions. These should be followed to ensure satisfactory performance and service life.

Side Wall Exhaust Fan.

Product specifications.								
Model Number	Fan Diameter (mm)	Motor Speed (rpm)	Motor Power (kW)	Voltage (V)	Full Load Amps (A)	Free Air Volume (l/s)	Noise (dBA @ 3m)	Weight (kg)
18-30241	300	1440	0.37	240	2.40	600	49	25
18-30243	300	1440	0.37	415	1.03	600	49	25
18-40241	400	1440	0.55	240	3.80	1450	50	35
18-40243	400	1440	0.55	415	1.63	1450	50	35
18-50241	500	1440	0.75	240	4.80	2450	60	55
18-50243	500	1440	0.75	415	1.94	2450	60	55
18-60161	600	960	0.37	240	2.40	3200	60	70
18-60163	600	960	0.37	415	1.32	3200	60	70
18-60241	600	1440	1.10	240	6.60	4400	68	70
18-60243	600	1440	1.10	415	2.60	4400	68	70
18-80163	800	960	1.10	415	3.00	7000	63	95
18-10123	1000	720	1.50	415	4.20	10800	69	130
18-12123	1200	720	2.20	415	6.00	15000	72	160

*Noise level is free field and indicative and should only be used to indicate relative values as actual figures depend on the fan and relevant field conditions.

Side Wall Exhaust Fan.




Product dimensions.

Diameter (mm)	A (mm)	B (mm)	C (mm)	D (mm)	E (mm)
300	310	380	410	350	525
400	410	480	410	350	525
500	510	580	410	350	525
600	610	680	410	350	525
800	810	880	460	400	525
1000	1010	1216	460	400	525
1200	1220	1290	510	450	625

*All sizes shown are standard. Subject to change without notice.

Side Wall Exhaust Fan.

Accessories.	
Accessory	Specifications
<p>Variable Speed Drives</p> 	<ul style="list-style-type: none">✔ 3 phase or single phase input. IP20 or IP66 and EMC compliant. User friendly interface.

