

# Bollard Light



36x SMD Cool  
White LEDs @  
0.1Wea



1x 6.4v 4.5AH  
Lithium LiFePO4  
Battery



4W Built-In  
Solar Panel



Dust & Water  
Protection



Stainless Steel  
Construction



250 Lumens at 1  
metre



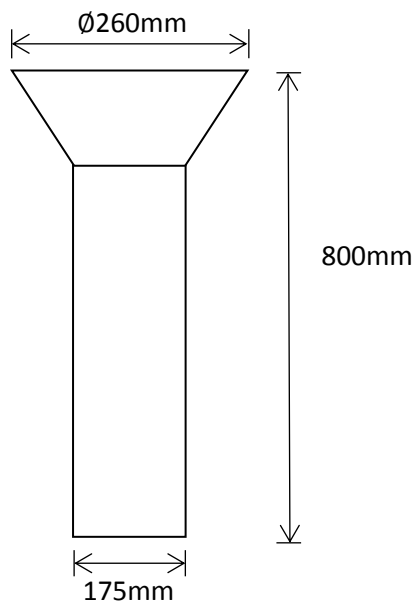
**SLDBL007/SS**

#### Features:

- Built in Photo Electric Cell
- 8-10 hours Operation per day
- Surface Mounted Base with Dyna Bolt Fixings
- **3 Year warranty!**



**SLDBL007/BLK**



Tri-Colour Technology coming soon – Enquire within for further details

