



## TITAN S9776TC - 40/80W

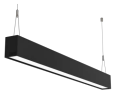
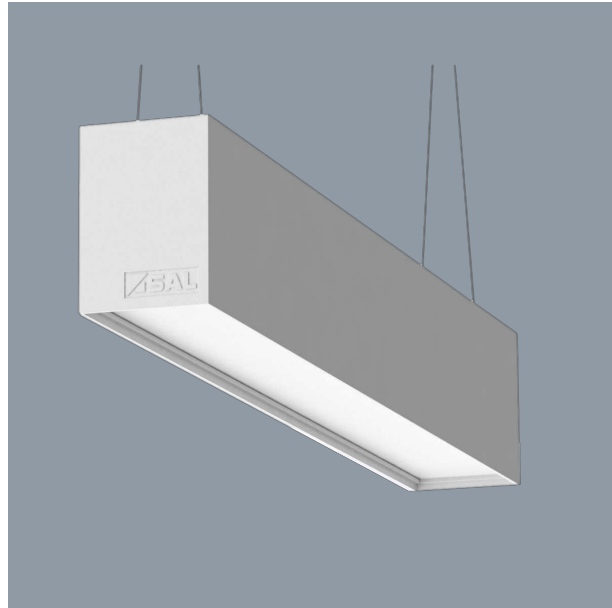
40 or 80 watt LED connectable profile, with selectable CCT

### Application

Decorative commercial or residential applications, meeting rooms, kitchens or amenity areas

### Design Specifications

- Extruded aluminium profile colour white or black, with opal polycarbonate diffuser
- High efficiency LED optics, CRI >80, beam distribution 90°
- Selectable CCT 3000K/4000K/5700K
- Integral constant current non-dimmable LED driver 40 or 80 watt
- Adjustable suspension kit supplied (2 x S5Y1512), Accessory option - straight link (S9776IP)
- Surface mounted (allow min. 200 mm clearance at both ends) Loop in loop out wiring available via the PA12 termination block



### Performance

- Dimmable - **OPTIONAL**
- Dimmer Type - **Trailing edge, DALI / DSI**



## Technical Specification

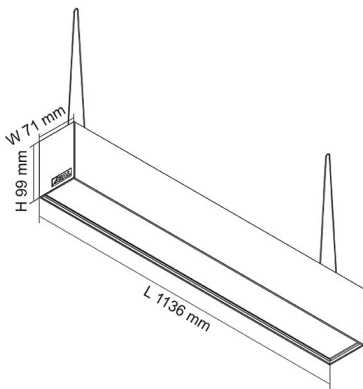
Product	Model No.	Input Voltage (V/AC)	Power (W)	Lumens (lm)	CCT (K)	CRI
	S9776/40TC	240	40	3900/4050/3950	3000/4000/5700	80
	S9776/40TC/BK	240	40	3900/4050/3950	3000/4000/5700	80
	S9776/80TC	240	80	7800/8100/7900	3000/4000/5700	80
	S9776/80TC/BK	240	80	7800/8100/7900	3000/4000/5700	80

Beam Angle (°)	Dimmable	Dim (mm)	Body Colour
90	OPTIONAL	1138(L) x 71(W) x 99(H)	WHITE
90	OPTIONAL	1138(L) x 71(W) x 99(H)	BLACK
90	OPTIONAL	2256(L) x 71(W) x 99(H)	WHITE
90	OPTIONAL	2256(L) x 71(W) x 99(H)	BLACK

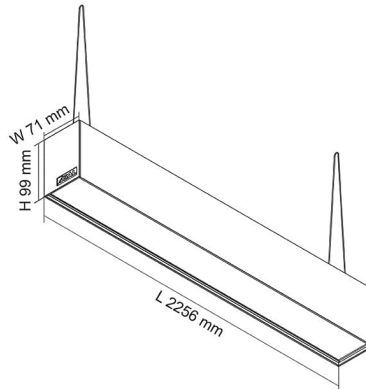
Due to continued product and technology enhancements, data sourced from sal.net.au shall not form part of any contract and or technical performance guarantee unless expressly confirmed in writing by SAL at the time of order. Products are sold in accordance with [SAL Terms and Conditions of sale](#) and all images shown are for illustration purposes only and may vary from the actual colour or finish. Unless specifically stated, all IP ratings nominated for Interior products are from "below the ceiling".

## Dimensions

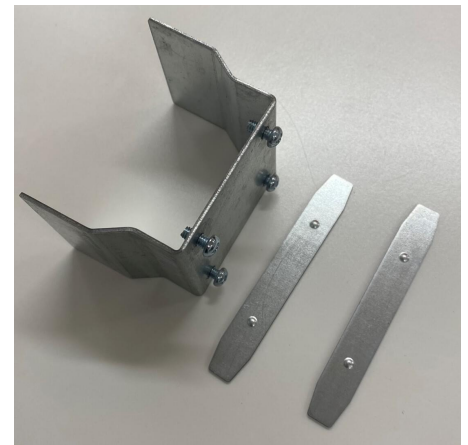
S9776 40



S9776 80



S9776IP

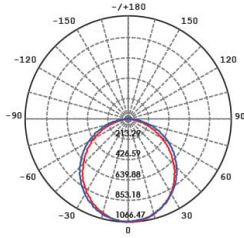




## Photometric Data

Unit: cd C0/C180 \_\_\_\_\_ C90/C270 \_\_\_\_\_

**S9776/40CW at 4000K**



# SMARTER LIGHTING CHOICES



<p>BENTO S9691 SQUARE PROFILE IP44 LED DOWNLIGHT.</p> <p>PRODUCT INFO GUIDE</p>	<p>BLADE LED BATTEN SL9707TC LOW PROFILE WIDE BODY</p> <p>35W</p> <p>PRODUCT INFO GUIDE</p>	<p>BLADE LED BATTEN SL9709TC LOW PROFILE WIDE BODY</p> <p>50W</p> <p>PRODUCT INFO GUIDE</p>	<p>BRIGHTSTAR ECO SE7199 LED FLOODLIGHTS</p> <p>PRODUCT INFO GUIDE</p>	<p>THE VERSATILE CANOPY LED SHP205</p> <p>PRODUCT INFO GUIDE</p>
<p>COOPER III</p> <p>PRODUCT INFO GUIDE</p>	<p>COOLUM PLUS S9167TC.</p> <p>PRODUCT INFO GUIDE</p>	<p>COOPER II</p> <p>PRODUCT INFO GUIDE</p>	<p>ECOLINE XV SL9731TC/DP</p> <p>PRODUCT INFO GUIDE</p>	<p>ECOLINE SL9738 LED WIDE DIFFUSED BATTEN</p> <p>PRODUCT INFO GUIDE</p>
<p>EMERGENCY EXIT SELK1500EX2</p> <p>PRODUCT INFO GUIDE</p>	<p>THE NEW QUICK CONNECT ESS107</p> <p>PRODUCT INFO GUIDE</p>	<p>STREAMLINE LOW PROFILE PUSHIE SL2104TC</p> <p>PRODUCT INFO GUIDE</p>	<p>THE NEW GIBRALTAR SL9722.TC LED VANDALPROOF BATTEN</p> <p>PRODUCT INFO GUIDE</p>	<p>REMARK D LED DOWNLIGHTS</p> <p>PRODUCT INFO GUIDE</p>
<p>COOLUM PLUS S9168TC.</p> <p>PRODUCT INFO GUIDE</p>	<p>SLIMLINE SEAMLESS TC LINKABLE SL9706</p> <p>PRODUCT INFO GUIDE</p>	<p>PIXIE AMBIENCE SMART SOCKET</p> <p>PRODUCT INFO GUIDE</p>	<p>STARPAD II SE7071 TC FLOODLIGHT</p> <p>PRODUCT INFO GUIDE</p>	<p>THE NEW UFO SHB23AMP150TC LED HIGHBAY</p> <p>PRODUCT INFO GUIDE</p>
<p>WAVE SF S9065TC LED DOWNLIGHT</p> <p>PRODUCT INFO GUIDE</p>	<p>WIDELINE SL9733TC/DP</p> <p>PRODUCT INFO GUIDE</p>	<p>BISMARCK II S9794 LED PANEL</p> <p>PRODUCT INFO GUIDE</p>	<p>UFO SHB235E HIGH BAY</p> <p>PRODUCT INFO GUIDE</p>	<p>COOLUM PLUS S9069TC.</p> <p>PRODUCT INFO GUIDE</p>
<p>ALTONA SQUARE OR ROUND LED WALL LUMINAIRES.</p> <p>PRODUCT INFO GUIDE</p>	<p>BRIGHT STAR LED FLOODLIGHT SE7199</p> <p>PRODUCT INFO GUIDE</p>	<p>BUNKER 15 TC ROUND</p> <p>PRODUCT INFO GUIDE</p>	<p>BUNKER 15 TC OVAL</p> <p>PRODUCT INFO GUIDE</p>	<p>Scan me</p>

# SAL YouTube PRODUCT GUIDES, MORE INFORMATION, EASY TO FIND