



## COOPER SE7081TC - 16W

16 watt, IP65 LED commercial bunker luminaire, selectable CCT, IK10 rated, ceiling or wall mount

### Application

A decorative architectural solution for commercial exteriors

### Design Specifications

- Robust die-cast aluminium body, durable black or silver powder coat finish
  - Stainless steel allen screws
  - High efficiency LED optics
  - Integral constant current non-dimmable LED driver
  - Selectable CCT 3000 / 4000 / 5700K
  - UV stabilized opal polycarbonate diffuser, IK10, IP65 performance
- Product selections compliant to AS/NZS2293  
Emergency Lighting & Exit Signs are located in the [exterior emergency section](#)



### Performance

- Dimmable - **OPTIONAL**
- Dimmer Type - **TRAILING EDGE**
- In Built Sensor - **OPTIONAL**
- Sensor Type - **MICROWAVE**



### Technical Specification

Product	Model No.	Input Voltage (V/AC)	Power (W)	Lumens (lm)	CCT (K)	CRI
	SE7081TC/BK	240	16	1100/1150/1100	3000/4000/5700	80
	SE7081TC/SL	240	16	1100/1150/1100	3000/4000/5700	80

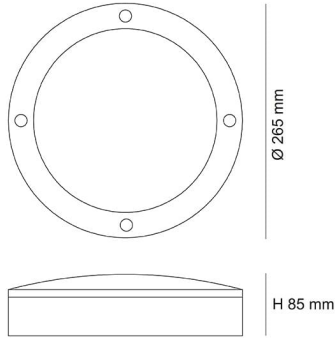


Beam Angle (°)	Diameter (mm)	Dim (mm)	Body Colour
100	265	85(H)	BLACK
100	265	85(H)	SILVER

Due to continued product and technology enhancements, data sourced from sal.net.au shall not form part of any contract and or technical performance guarantee unless expressly confirmed in writing by SAL at the time of order. Products are sold in accordance with [SAL Terms and Conditions of sale](#) and all images shown are for illustration purposes only and may vary from the actual colour or finish. Unless specifically stated, all IP ratings nominated for Interior products are from "below the ceiling".

## Dimensions

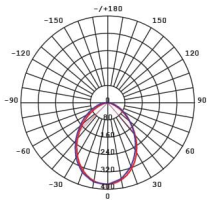
SE7081TC



## Photometric Data

Unit: cd C0/C180 — C90/C270 —

SE7081L SL WW at 3000K





Why is the IP rating important? In brief, IP (Ingress Protection) ratings are defined in EN 60529 and simply defines the ability of an electrical product to seal and protect against the intrusion of foreign objects and water.

(I) As the first numeral stands for intrusion of a foreign object, where (P) as the second numeral stands for the penetration of moisture.

As a guide IP20 rated products would be seen in interior spaces with no requirement for protection against the elements, where an IP65 product would be found in an exterior application which required substantial protection against the elements.

