

25W/45W EXHAUST FAN ROUND TRICOLOUR LED LIGHT



Model Numbers

MXFSLR20M - Saturn 200 25W - Matt Black
 MXFSLR20W - Saturn 200 25W - Matt White
 MXFSLR25M - Saturn 250 45W - Matt Black
 MXFSLR25W - Saturn 250 45W - Matt White

Features

- High velocity exhaust fan with fitted back draft damper
- Ideal for bathrooms, toilets and kitchens
- Separate fan and light power cords included
- Ultra quiet ball bearing motor
- Tricolour switchable colour temperature 3000K, 4000K, 5000K
- 100mm/150mm side duct and draft stopper included
- Cut out template included



2
YEAR
In-Home
Warranty



Energy
Efficient



High Volume
Air Extraction
180 / 443m³/hr



Tricolour

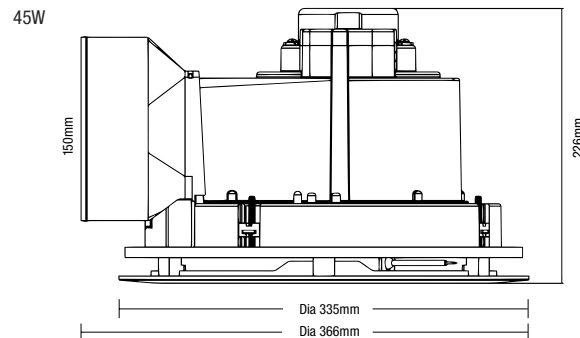
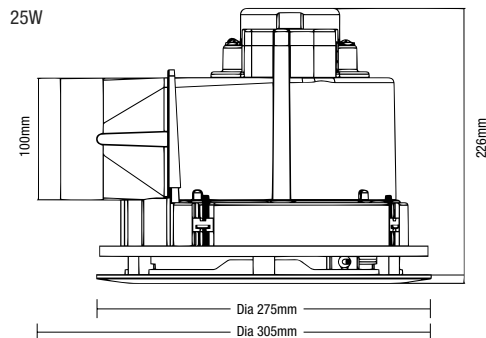


Draft
Stopper



IP Rating

DIMENSIONS



25W/45W EXHAUST FAN ROUND TRICOLOUR LED LIGHT

PACKAGING



INSTALLATION

Installation	By licensed electrician only
Warranty	2 year in home warranty

*For further information regarding warranty terms and conditions, please refer to enclosed warranty statement. Warranty is void unless installed by a licensed electrician.

SPECIFICATIONS

Model Name	Saturn 200 / Saturn 250
Model Numbers	MXFSLR20M - Saturn 200 25W Matt Black MXFSLR20W - Saturn 200 25W Matt White MXFSLR25M - Saturn 250 45W Matt Black MXFSLR25W - Saturn 250 45W Matt White
Air Extraction m³/hr	180m ³ /hr / 443m ³ /hr
Power Wattage	25W/45W
Voltage	220-240V ~ 50Hz
Materials / Housing	Plastic with ABS fascia
Cutout Size	Dia 240mm / 295mm
Decibel Rating	<45dB
Lighting Wattage / Type	17W LED
Colour Temperature	3000K / 4000K / 5000K
Lumens Output	900lm / 1050lm / 900lm (matt black) 1200lm / 1400lm / 1200lm (matt white)
Minimum Ceiling Depth	220mm clearance above the unit
Ducting Size	100mm / 150mm
Accessories Included	900mm flex and plug

SHIPPING

Packaging Size	330(H) x 30.5(W) x 220(L)mm (MXFSLR20M 25W) 330(H) x 30.5(W) x 220(L)mm (MXFSLR20W 25W) 375(H) x 360(W) x 220(L)mm (MXFSLR25M 45W) 375(H) x 360(W) x 220(L)mm (MXFSLR25W 45W)
Carton Quantity	4
Gross Weight	15Kg (MXFSLR20M 25W) 15Kg (MXFSLR20W 25W) 20Kg (MXFSLR25M 45W) 20Kg (MXFSLR25W 45W)

AVAILABLE COLOURS



Model	Colour	Barcode
MXFSLR20M	Matt Black	9 312375 508168
MXFSLR20W	Matt White	9 312375 508137

Model	Colour	Barcode
MXFSLR25M	Matt Black	9 312375 508175
MXFSLR25W	Matt White	9 312375 508144