



RANGER

Instruction Manual



24W SECURITY LIGHT LED TRICOLOUR DOUBLE HEAD

Model No.:MLXR3452M / MLXR3452W

Contents

- 01. Warranty Page**
- 02. General Information**
- 03. Warnings**
- 04. Parts List & Specifications**
- 05. Installation Instructions**
- 06. Switching color temperature**
- 07. Cleaning and Maintenance**
- 08. Product Disposal**



24W SECURITY LIGHT LED TRICOLOUR DOUBLE HEAD

2 Year Replacement Warranty

IMPORTANT PRODUCT INFORMATION

The product is guaranteed to be free from defects in workmanship and parts for a period of 2 years replacement warranty from the date of purchase. Defects that occur within this 2 year replacement warranty period, under normal use and care, will be repaired at our discretion. The benefits conferred by this warranty are in addition to all rights and remedies in respect of the product that the consumer has under the Competition and Consumer Act 2010 and similar state and territory laws.

Our goods come with guarantees that cannot be excluded under the Australian Consumer Law. You are entitled to a replacement or refund for a major failure and for compensation for any other reasonably foreseeable loss or damage. You are also entitled to have the goods repaired if the goods fail to be of acceptable quality and the failure does not amount to a major failure.



YEAR REPLACEMENT
WARRANTY

General Information

Congratulations on choosing to buy a Martec product.

All products brought to you by Martec are manufactured to the highest standards of performance and safety, and, as part of our philosophy of customer service and satisfaction, are backed by our warranty .

We hope you will enjoy using your purchase for many years to come.

THIS LED FLOODLIGHT MUST BE INSTALLED BY A QUALIFIED ELECTRICIAN, AND AN ELECTRICAL SAFETY CERTIFICATE MUST BE ISSUED ON COMPLETION OF THE INSTALLATION.

General Information and Safety Instructions

Before first using your new Floodlight , it is most important that you read and follow these instructions, even if you feel you are quite familiar with this product. Keep this document in a safe place for future reference.

This appliance **MUST** be installed by a Qualified Electrical Contractor in accordance with the local regulations, and all local, state and national electrical codes. Any alterations or additions to building wiring must be completed by a licensed electrician, or person authorised by legislation to work on the fixed wiring of any electrical installation.

All electrical work must only be undertaken after disconnection of the power by removing fuses or turning off the circuit breaker, to ensure all pole isolation of the electrical supply.

This is not a DIY product.

This is an outdoor domestic product and should not be used for commercial, trade or industrial purposes.

This appliance is not intended for use by persons (including children) with reduced physical, sensory or mental capabilities, or lack of experience and knowledge, unless they have been given supervision or instruction concerning use of the appliance by a person responsible for their safety.

Application

This product is intended for outdoor use.

Important Note

The important safeguards and instructions given in this manual are not meant to cover all possible conditions and situations that may occur. It must be understood that common sense, caution and care are factors which cannot be built into any product. The persons caring for and using the unit must supply these factors.

Compliance

AS/NZS 60598.2.1:2014 & AS/NZS 60598.1:2013 Luminaires – Particular requirements – Fixed general purpose luminaires.

AS/NZS 61347.2.11:2003 Lamp control gear - Particular requirements for miscellaneous electronic circuits used with luminaires.

IEC 82079-1 : 2012 Standards. Preparation of instructions for use – Structuring content and presentation - part1: general principles and detailed requirements.

AS/NZS CISPR 15: 2011 Limits and methods of measurement of radio disturbance characteristics of electrical lighting and similar equipment.

AS/NZS 62560:2014 Self-ballasted LED-lamps for general lighting services by voltage > 50 V – Safety specification.

Warnings

- Do not direct the heads upwards above horizontal.
- Ensure wire connections are firm.
- This is an outdoor domestic product and should not be used for commercial, trade or industrial purposes.
- Keep it away from strong electromagnetic fields.
- Do not install on surfaces which can move or vibrate.
- Do not immerse any part of the fitting into water or any liquid.
- Do not look directly into the LED light .
- Do not attempt to perform modification or change parts within the light fixture.
- Dispose of packaging thoughtfully.

- Caution, risk of electric shock 

The light source of this luminaire is not replaceable; when the light source reaches its end of life the whole luminaire shall be replaced

Parts List & Specifications

Parts List

1. Wall mount base
2. Main body
3. Front screws
4. Wall mount screws

Specifications

Model No.:MLXR3452M / MLXR3452W

Material:Die cast

Color: Black or white

Voltage:220-240VAC~50Hz

LED : 2x26W bridgeLux chip,
3000K-5000K

Output lumen :

5000K - 2200lm;

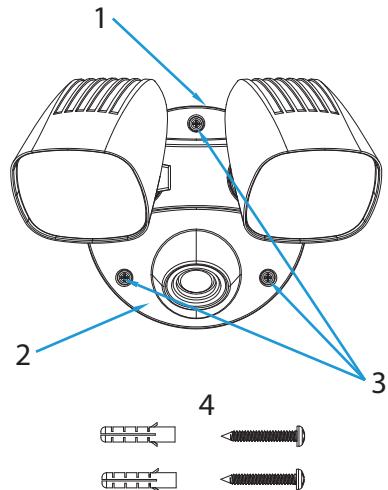
4000K - 2200lm;

3000K - 2100lm;

With non-isolated driver; with CCT switch on the back

Packaging: color box + master carton

IP54



Installation Instructions

Introduction

- **Do not direct the heads upwards above horizontal.**

BEFORE COMMENCING INSTALLATION

For the best performance we suggest you take into account the following:

To avoid flickering and/or interference with other electronic/electrical equipment it is suggested to wire the security light into its own circuit with its own switch.

The recommended mounting height is 2 to 2.5 metres.

Keep the security light away from strong electromagnetic fields.

Do not install on surfaces which can move or vibrate.

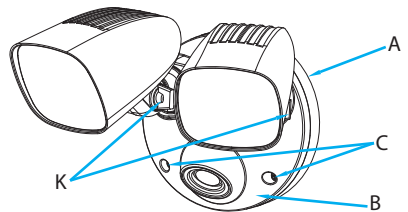
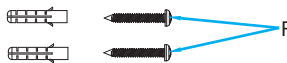
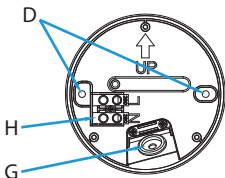
Product Installation

NOTE: This product must be installed by a licensed electrician.

NOTE: For best performance install at a height between 2 and 2.5 metres.

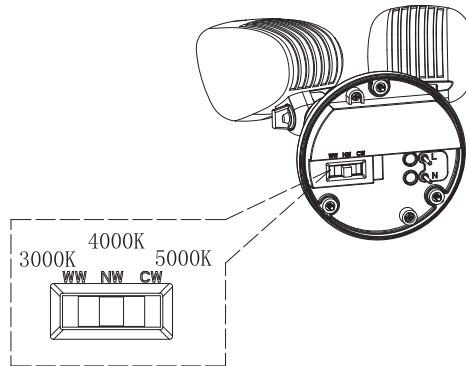
1. Ensure the Mains Supply is switched 'OFF'.
2. Unpack the fixture carefully and dispose of the packaging material thoughtfully. The fitting must be wired to its own wall switch.
3. Remove the mounting plate 'A' from light body 'B' by unscrewing the front screws 'C'.
4. Drill two holes in the wall using the mounting holes 'D' on the mounting plate 'A' as a template. Note: exercise caution to avoid drilling into existing electrical wiring.
5. Feed mains supply cable through the wall and weatherproof holes as appropriate. Pierce the rubber grommet 'G' with a screwdriver and pass the mains supply cable through.
6. Use screws and suitable fixture system 'F' to secure the mounting plate 'A' to the wall securely.
7. Connect the Live (L), Neutral (N)) according to the markings on the terminal block 'H'.
8. Refit the light body 'B' to the mounting plate 'A', securing it in place using two screws 'C' removed earlier. Tighten them firmly to maintain IP rating.
9. Apply silicone if required around the base plate and grommet 'G' to maintain IP rating.
10. Loosen the Screw in knuckle 'K' and angle the light head into desired direction, then re-tighten the Screw firmly.
11. Reconnect the mains supply.
12. Turn on the security light.

- **Do not direct the heads upwards above horizontal.**



Switching color temperature

- On the back of the LED light body, there is CCT switch which allows you to switch the color temperature of the light among 3000K (WW), 4000K(NW), 5000K (CW).
- Each time when you want to switch the color temperatures please remember to turn off the mains supply first, and then take down the light body. (Refer to installation instructions).



Cleaning and Maintenance

Ensure light is turned off and cool before cleaning.

To avoid dust build-up on the sensor for proper functioning of the fitting, please wipe the sensor lens with a soft cloth approximately every 3 months.

Do not use chemicals.

Product Disposal

Please dispose of this product thoughtfully once it has passed its useful life. At the end of their working life, do not throw the appliance out with your household rubbish. Electrical and electronic products contain substances that can have a detrimental effect on the environment and human health if disposed of inappropriately. Observe any local regulations regarding the disposal of electrical consumer goods and dispose of it appropriately for recycling. Contact your local authorities for advice on recycling facilities in your area.

Martec Australia Pty Ltd
Email: sales@martec ltd.com.au
Contact Phone: 02 8778 7500
Contact Fax: 02 8778 7555

Company Address:
6 Austool Place
Ingleburn NSW 1890

Opening Hours:
Monday to Friday
Warehouse hours: 7.30am – 3.30pm
Office hours: 8.00am – 5.00pm EST

WWW.MARTECAUSTRALIA.COM.AU

(For Warranty Conditions please refer to the Martec Warranty Terms and Conditions)

2 YEAR REPLACEMENT WARRANTY FORM

Customer Details

Surname..... Given Name.....

Address.....

Daytime Ph..... A/h Ph.....

Email.....

Warranty Details

Date of Purchase..... Installation Date.....

Product Description.....

Store..... P.O. No.....

Fault Description.....

.....

.....

.....

I, the Customer, hereby acknowledge that I have read and agree with the Martec Pty Ltd replacement warranty statement and the conditions found within regarding the warranty service and its limitations.

I, the Customer, acknowledge that Martec Pty Ltd reserves the right to charge me, labour and material cost of any replacement parts or products if required, in addition to the costs associated with shipping these parts to my location should the reported fault not be an actual manufacturing fault or malfunction. This will be assessed on a case by case basis by the authorised Martec Service Agent dispatched to my premises. The current minimum charge will be \$190+GST.

I, the Customer, acknowledge that I will be liable for this charge should the authorised Martec Service Agent determine this to be the case. Failure to pay warranty recovery charges issued by Martec Pty Ltd will result in the termination of any remaining warranty, in addition to possible debt collection procedures.

I,, do hereby certify that I have read and comply with the aforementioned warranty conditions and agree to the conditions of this warranty claim.

Print Name:.....

Signature:.....

Date:.....

