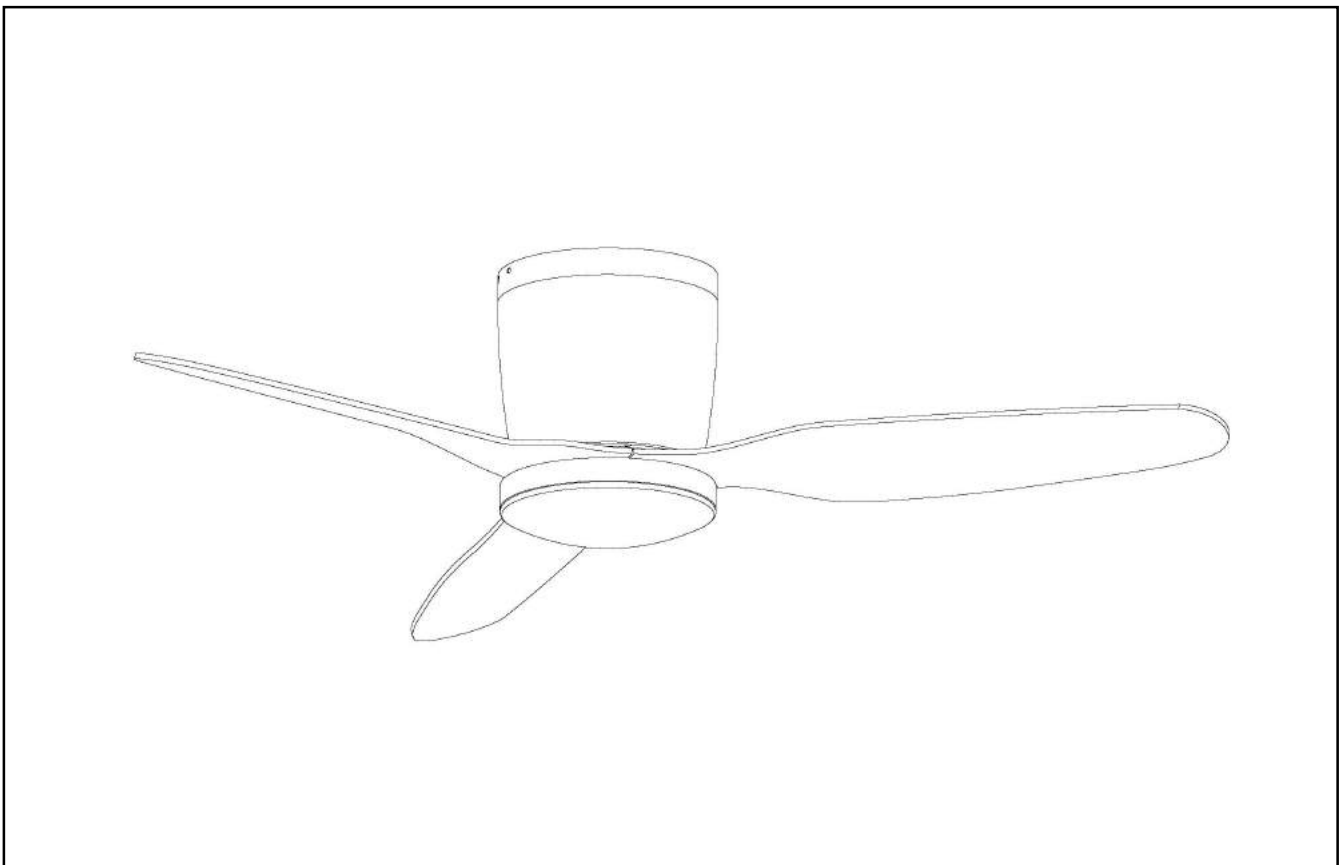




# Flush

## Ceiling Fan Instruction Book



**Models:** MFF133 MFF1333

DESCRIPTION	QUANTITY
Motor assembly	1
Instruction manual	1
Screw kit	1
Balancing kit	1
Wall control kit	1
Blades	3
Hanging plate	1

**Note:**

This appliance is not intended for use by persons (including children) with reduced physical, sensory or mental capabilities, or lack of experience and knowledge, unless they have been given supervision or instruction concerning use of the appliance by a person responsible for their safety.

Children should be supervised to ensure that they do not play with the appliance.

Means for disconnection must be incorporated in the fixed wiring in accordance with the wiring rules.

The blades are more than 2,1 m above the floor.

Thank you for purchasing your MARTEC FLUSH Series Ceiling Fan. Please read all instructions carefully before assembly and use.

### **IMPORTANT SAFEGUARDS**

**READ THESE INSTRUCTIONS CAREFULLY BEFORE INSTALLING OR USING THE PRODUCT. KEEP THE INSTRUCTIONS HANDY FOR FUTURE REFERENCE.**

## **IMPORTANT**

Always operate the product from a power source of the same Voltage, Frequency and rating as on the product Identification Plate.

## **IMPORTANT**

The fan is to be installed so that the blades are more than 2.1 metres above the floor.

Avoid contacting moving parts, keep hands, hair and clothing well away from the product while it is in operation.

A Luminaire (light fitting) included in the fan packaging may only be fitted to this fan.

“This appliance is not intended for use by persons (including children) with reduced physical, sensory or mental capabilities, or lack of experience or knowledge, unless they have been given supervision or instruction concerning use of the appliance by a person responsible for their safety.”

“Young children should be supervised at all times to ensure that they do not play with the appliance.”

Do not operate any product which has been or appears damaged in any matter or after the product malfunctions.

**CAUTION:** TO REDUCE THE RISK OF ELECTRIC SHOCK, DO NOT INSTALL THE PRODUCT WHERE IT CAN BE EXPOSED TO RAIN, MOISTURE OR ANY LIQUID.

Do not use the product for other than its intended use as described in these instructions. This product is intended for normal domestic household use only. The use of accessory attachments other than those recommended by the manufacturer may cause safety hazards.

## **SAFETY**

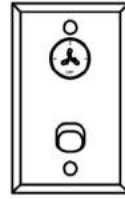
The installation of fans must follow S.A.A. standards and meet local Authority regulations. A fully qualified and licensed electrician lawfully MUST carry out installation. Means for disconnection must be incorporated in the fixed wiring in accordance with wiring rules.

Fan and light MUST be earthed. Bracket MUST be firmly attached to a solid structure i.e. concrete ceiling, steel structure or timber frame and additional joist MUST be nailed between beams if the timber option is required. ONLY install the remote controller kit that comes supplied by Martec Pty Ltd within package. DO NOT control operation of fan and light with any other remote control than what was approved by Martec Pty Ltd and supplied within this package, as this will void warranty.

## **WARNING**

Only approved Martec Pty Ltd wall controllers should be used for the operation of our fans. The use of unauthorised controllers will void the warranty. DO NOT mix blades from one fan to another. All blades must be replaced if damaged.

Hanging plate



Wall control

Pressing plate



LED driver



installation location of receiver



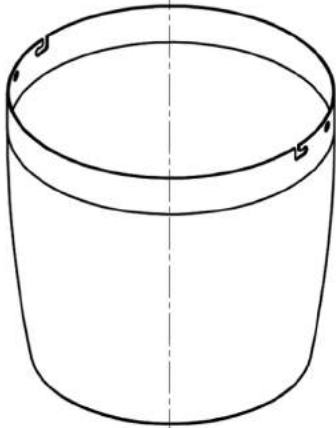
Capacitor

Capacitor mounting plate

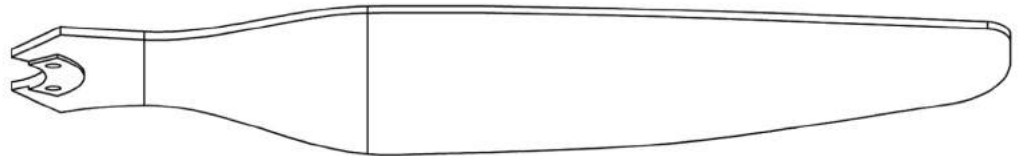
Motor



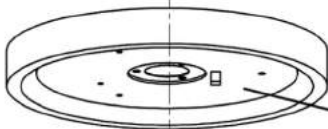
Housing



Blade



Light kit plate

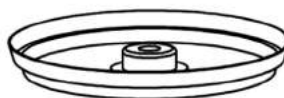


LED

Acrylic shade



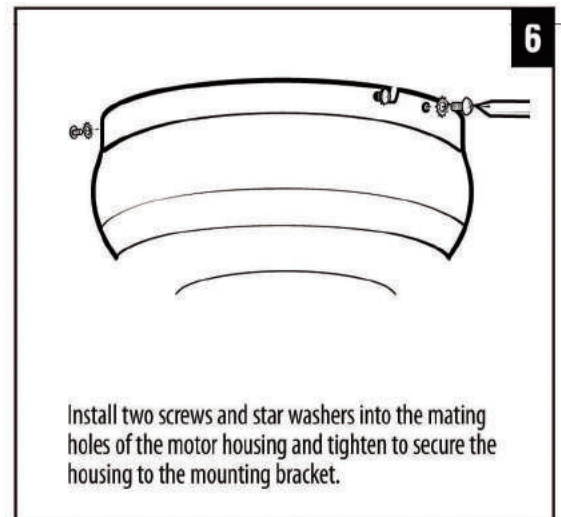
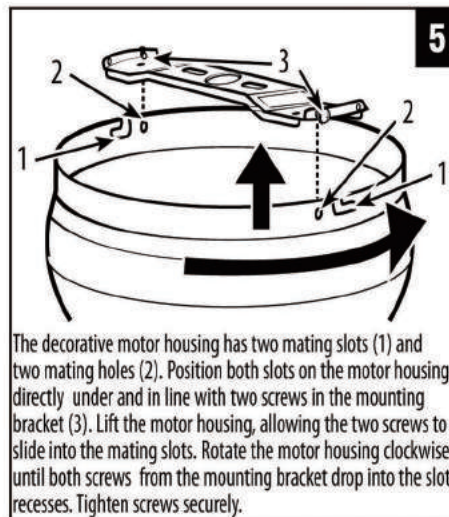
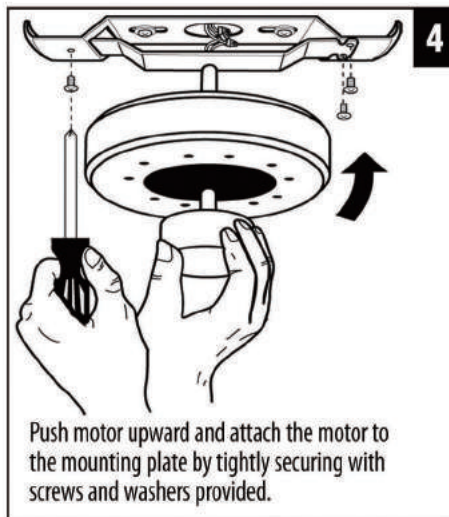
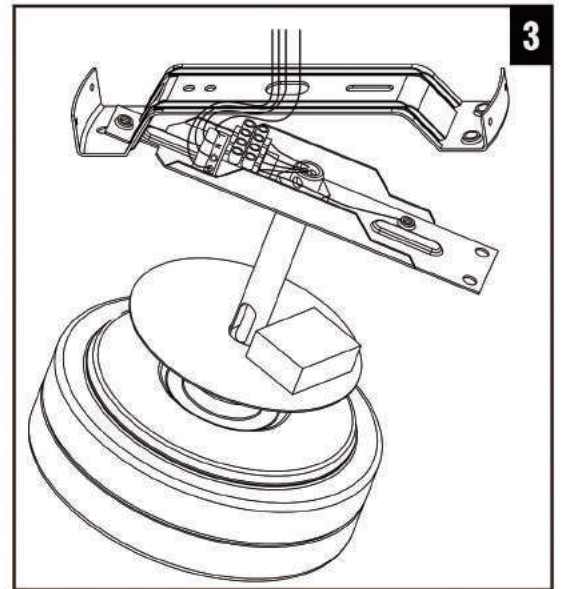
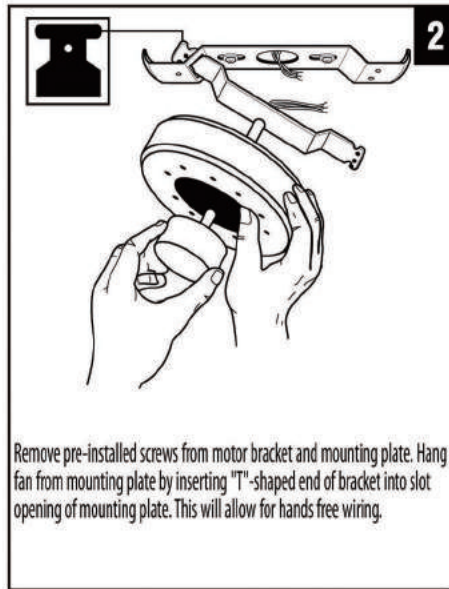
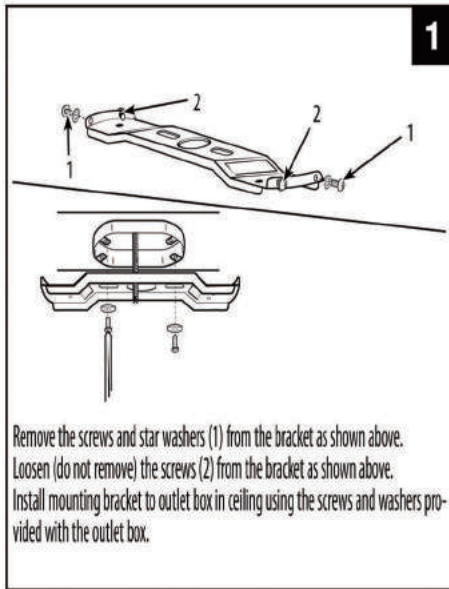
Cover



## HOW TO ASSEMBLE

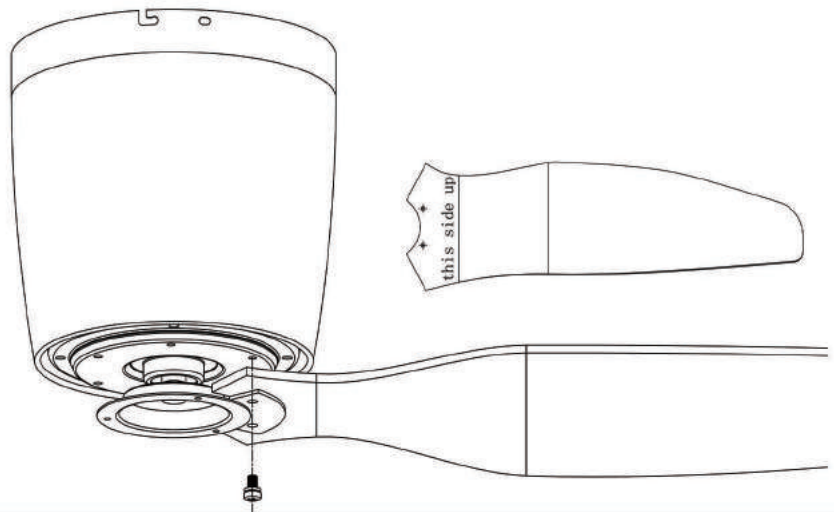
### ⚠ WARNING

- Make sure electricity is turned off at the main power box before commencing work. Turn off the power by removing fuse or turning off circuit breaker before installing the fan and replacing the lamps.
- The lowest point on the fan blade must be at least 2.1 metres from the floor.
  - Make sure that ceiling joists are strong enough and of adequate size to support the weight of the fan of about 35 kg.



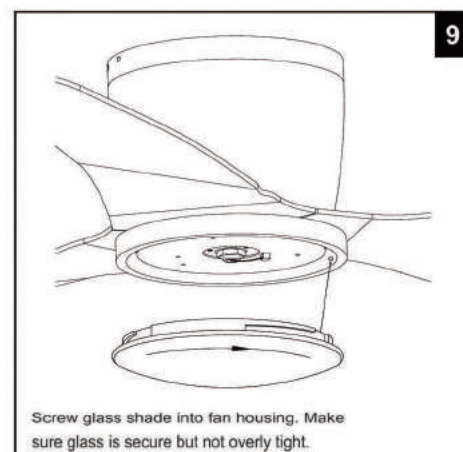
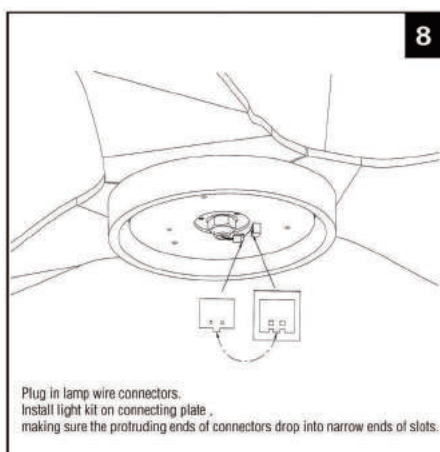
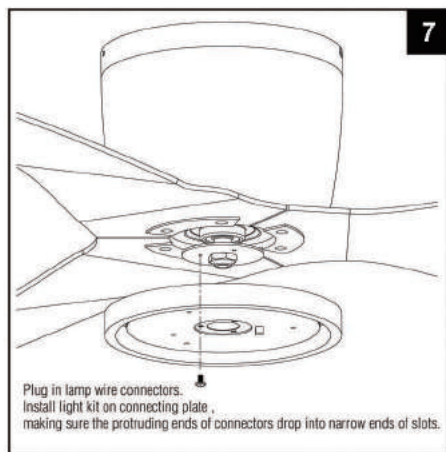
## HOW TO INSTALL BLADES

Align blade holes with holes at the bottom of motor assembly. Tighten the blade using screws supplied. Repeat the same step until all blades are installed.

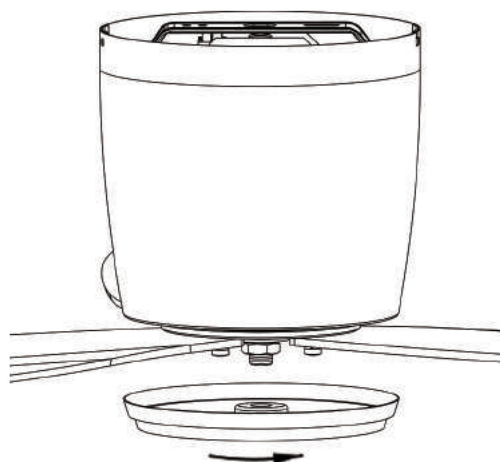


## HOW TO INSTALL THE LIGHT KIT AND ACRYLIC SHADE (Version with lights)

Remove the acrylic shade carefully as shown . Turn anticlockwise to remove and clockwise to tighten the glass shade. (See Fig.9.)



## HOW TO INSTALL METAL CAP (Version without lights)



## Tricolour CCT (Colour changeal

Please make sure the switch is off be-

temperature. Simply flick the switch on the LED plate (See Fig.6.) to select the desired colour temperature (3000K, 4000K or 5000K).



Fig.6

## Dimming

The DISCOVERY fan has a smart 3 step dimming LED light module which doesn't require a dimmable remote control or a wall dimmer. It only requires a normal on/off remote kit (MPREM) or a normal light wall switch (supplied as part of the wall controller in the box).

Turn the switch on and the light will turn on. Flick the switch on/off within 1 second and the light output will dim down to approx. 50%, flick the switch on/off again and the light output will dim down to approximately 15%. The light kit has no memory function, it will turn on at 100% initially.

