

General info

Indoor - Suspensions

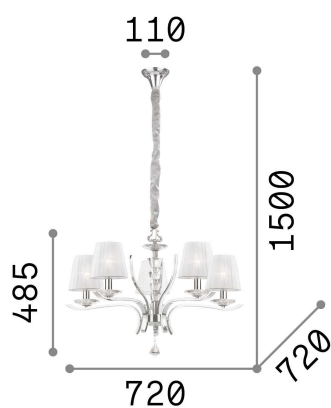
Ean	8021696066448
Item	PEGASO SP5 BIANCO
Installation	Suspensions
Guarantee	5 years
Gross weight	7.35 kg
Volume	0.144525 m ³

Technical info

Net weight	5.6 kg
Insulation class	I
Protection index	IP20
Compliance	CE
Operating temperature	0° ~ +40 °C
Full load efficiency	X
Dimmer	Determined by the light bulb
Power output	220-240 V AC
Power supply	Not required

Source info

Integrated source	Light bulb (not included)
Replaceable source	No
Power	E14 max 5 x 28 W
Emission	Diffuse
Max consumption	-



General info

Indoor - Suspensions

Ean	8021696197722
Item	PEGASO SP5 OTTONE
Installation	Suspensions
Guarantee	5 years
Gross weight	7.09 kg
Volume	0.144525 m ³

Technical info

Net weight	5.6 kg
Insulation class	I
Protection index	IP20
Compliance	CE
Operating temperature	0° ~ +40 °C
Full load efficiency	X
Dimmer	Determined by the light bulb
Power output	220-240 V AC
Power supply	Not required

Source info

Integrated source	Light bulb (not included)
Replaceable source	No
Power	E14 max 5 x 28 W
Emission	Diffuse
Max consumption	-