

General info

Indoor - Suspensions

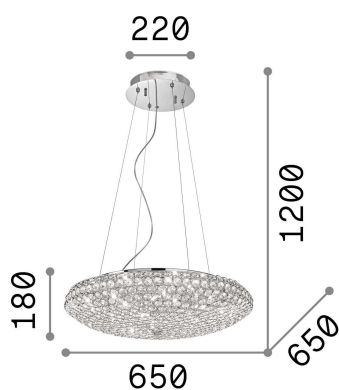
Ean	8021696088013
Item	KING SP12 CROMO
Installation	Suspensions
Guarantee	5 years
Gross weight	13.7 kg
Volume	0.148555 m ³

Technical info

Net weight	10 kg
Insulation class	I
Protection index	IP20
Compliance	CE
Operating temperature	0° ~ +40 °C
Full load efficiency	X
Dimmer	Determined by the light bulb
Power output	220-240 V AC
Power supply	Not required

Source info

Integrated source	Light bulb (included)
Replaceable source	Replaceable
Power	G9 max 12 x 40 W
Emission	Diffuse
Max consumption	-
Bulb included	1 - E14 OLIVA 4W 3000K CRI80 SATIN



General info

Indoor - Suspensions

Ean	8021696088020
Item	KING SP12 ORO
Installation	Suspensions
Guarantee	5 years
Gross weight	13.7 kg
Volume	0.148555 m ³

Technical info

Net weight	10 kg
Insulation class	I
Protection index	IP20
Compliance	CE
Operating temperature	0° ~ +40 °C
Full load efficiency	X
Dimmer	Determined by the light bulb
Power output	220-240 V AC
Power supply	Not required

Source info

Integrated source	Light bulb (included)
Replaceable source	Replaceable
Power	G9 max 12 x 40 W
Emission	Diffuse
Max consumption	-
Bulb included	1 - E14 OLIVA 4W 3000K CRI80 SATIN