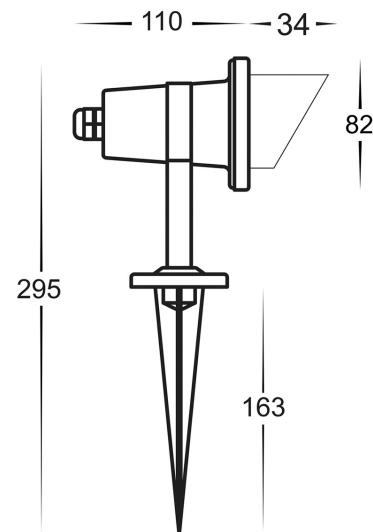


PRODUCT SPECIFICATIONS

- Name:** Kap
- Material:** 316 Stainless Steel
- Colour:** Stainless steel
- IP Rating:** IP66
- Lamp Base:** MR16
- CRI:** ≥80
- Wiring:** Parallel
- Dimmable:** No
- Warranty:** 2 years replacement**



- can be surface mounted or used with spike supplied

PART NUMBER	COLOUR TEMP	LUMENS*	INPUT VOLTAGE	BEAM ANGLE	INCLUDED GLOBES
HV1431C	5500k	300lm	12V DC	120°	5w MR16 LED
HV1431W	3000k	250lm	12V DC	120°	5w MR16 LED

Must be used with suitable 12v DC LED driver

* Lumen output measured at source

** See Warranty Terms and Conditions for more information