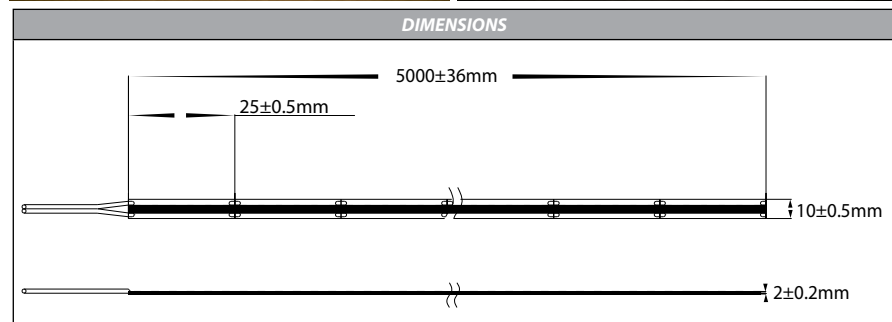
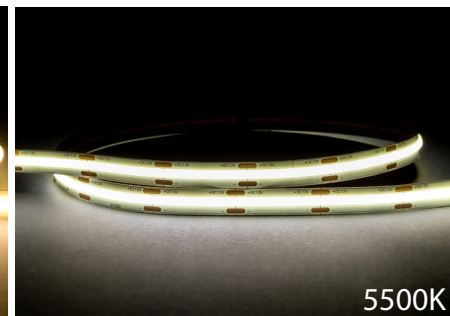


15w IP20 12v DC 480LED COB LED Strip



Product Specifications

Watts Per Metre	15w
Input Voltage	12v DC
Colour Temp	3000K 4000K 5500K
Beam Angle	120°
IP Rating	IP20
Size	10mm (W) x 2mm (H)
PCB	3oz
CRI	>80
Lamp Expectancy	>50000hrs
Wiring	Parallel
Dimmable	Yes
LED Chip Type	COB
No. Chips Per Metre	480
Maximum Cut Length	5000mm
Cutting Increments	25mm
Mounting	Aluminium Profile or Heat Sink
Operating Temperature	0 - + 60° Celcius
Ambient Temperature	-20° - + 50° Celcius
Warranty	3 Years Replacement*



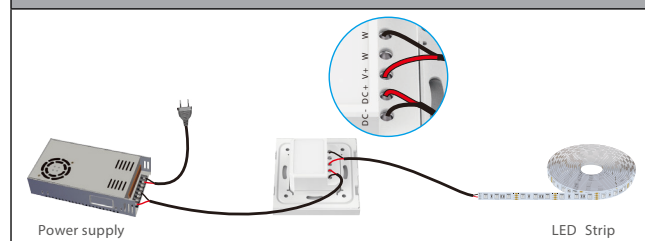
COMPATIBLE CONTROLLERS

Touch Panels	Remote Controllers	Zigbee	RF + WIFI
 HV9101-E1 HV9101-EX15	 HV9102-M1+M4-5A HV9102-Q1	 HV9101-ZB-SCTP HV9102-ZB-SCREM	 HV9101-2830A HV9102-2819DIM
 HV9103-F4-5A	 HV9103-F4-5A	 HV9105-ZB-5C	 HV9105-1009-5C

Product Ordering

Image	Part Number	Colour Temp	Lumens	Barcode
	HV9760-IP20-480-3K	3000k	1248lm	9350418029317
	HV9760-IP20-480-4K	4000k	1344lm	9350418029324
	HV9760-IP20-480-5K	5500k	1397lm	9350418029331

SAMPLE WIRING DIAGRAM



*Ordered after 01-01-2022

For More Information Contact Havit Lighting

143 Beauchamp Road
Matraville NSW 2036
Australia

Tel: 02 9381 8300
Fax: 02 9666 8881
Email: sales@havit.com.au
Web: www.havit.com.au



Warranty Terms & Conditions



www.havit.com.au