

10w 12v DC IP20 5M COB Viper Kits

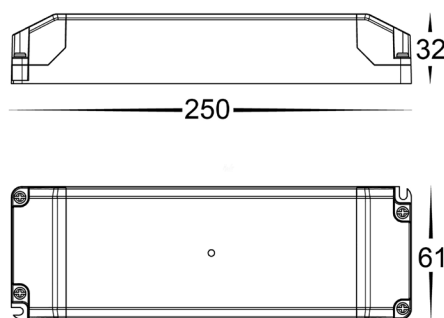
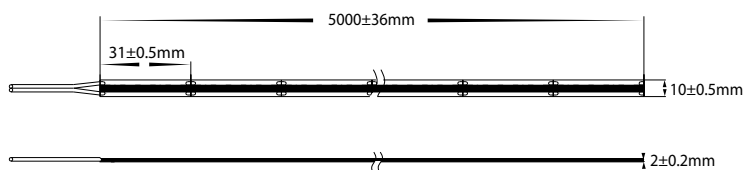


PRODUCT SPECIFICATIONS

Name	Viper
Wattage Per Metre	10w
Colour Temp.	3000K, 4000K, 5500K
CRI:	>80
Beam Angle	120°
IP Rating	IP20
Size	10mm (W) x 2mm (H)
Input Voltage	12v DC
Dimmable	No
LED Chip Type	COB
LED Chips Per Metre	512
Supplied Length	5m
Cutting Increments	Every 31mm
Wiring	Parallel
Warranty	2 Years Replacement



DIMENSIONS



SAMPLE WIRING DIAGRAM



IMAGE	PART NUMBER	COLOUR TEMP	LUMENS PER METRE	INPUT VOLTAGE	INCLUDED IN KIT
	VPR9763IP20-512-5M	3000K	1100lm	240v AC (Driver) 12v DC (LED Strip)	5m x 3000K IP20 LED Strip + 1x 60w LED Driver
	VPR9765IP20-512-5M	4000K	1150lm	240v AC (Driver) 12v DC (LED Strip)	5m x 4000K IP20 LED Strip + 1x 60w LED Driver
	VPR9764IP20-512-5M	5500K	1200lm	240v AC (Driver) 12v DC (LED Strip)	5m x 5500K IP20 LED Strip + 1x 60w LED Driver

For More Information Contact Havit Lighting

143 Beauchamp Road
Matraville NSW 2036
Australia

Tel: 02 9381 83000
Fax: 02 9666 888
Email: sales@havit.com.au
Web: www.havit.com.au



Warranty Terms & Conditions



Additional Information