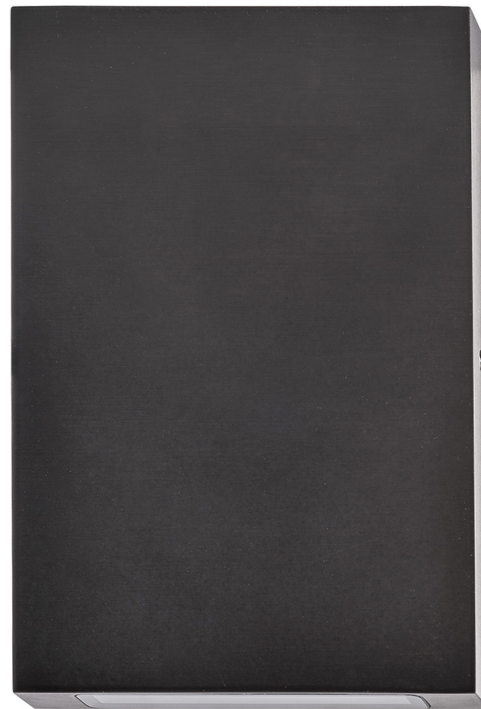
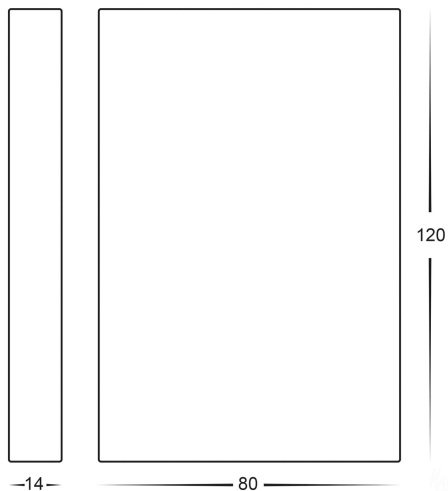


## PRODUCT SPECIFICATIONS

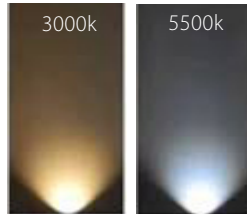
**Name:** Stylez  
**Material:** Solid Brass  
**Colour:** Antique Brass  
**IP Rating:** IP65  
**Lamp Base:** Built in LED  
**Cable Length:** 200mm  
**CRI:** ≥80  
**Wiring:** Parallel  
**Dimmable:** No  
**Warranty:** 2 Years Replacement\*\*



## DIMENSIONS



## COLOUR TEMPERATURE



## IP RATING



## APPROVALS



## Product Ordering

IMAGE	PART NUMBER	INPUT	COLOUR TEMP	LUMENS	BEAM ANGLE	INCLUDED LED
	<b>HV3289C-AB</b>	12v DC	5500k	2x 250lm	120°	3w Built in LED
	<b>HV3289W-AB</b>	12v DC	3000k	2x 240lm	120°	3w Built in LED

12v DC models must be used with suitable 12v DC LED Driver

\* Lumen output measured at source

\*\* See Warranty Terms and Conditions for more information

For more information contact *Havit Lighting*

ADDRESS:  
 143 Beauchamp Road  
 Matraville NSW 2036  
 Australia

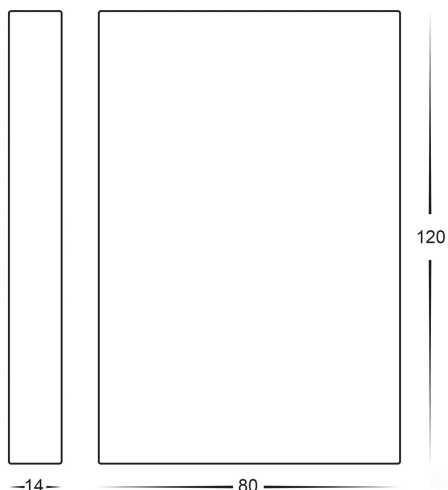
Tel: 02 9381 8300  
 Fax: 02 9666 8881  
 Email: sales@havit.com.au  
 web: www.havit.com.au

## PRODUCT SPECIFICATIONS

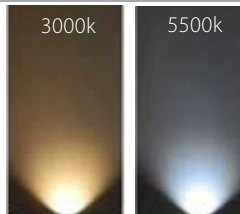
**Name:** Stylez  
**Material:** Solid Brass  
**Colour:** Brass  
**IP Rating:** IP65  
**Lamp Base:** Built in LED  
**Cable Length:** 200mm  
**CRI:** ≥80  
**Wiring:** Parallel  
**Dimmable:** No  
**Warranty:** 2 Years Replacement\*\*



## DIMENSIONS



## COLOUR TEMPERATURE



## IP RATING



## APPROVALS



## Product Ordering

IMAGE	PART NUMBER	INPUT	COLOUR TEMP	LUMENS	BEAM ANGLE	INCLUDED LED
	<b>HV3289C-BR</b>	12v DC	5500k	2x 250lm	120°	3w Built in LED
	<b>HV3289W-BR</b>	12v DC	3000k	2x 240lm	120°	3w Built in LED

12v DC models must be used with suitable 12v DC LED Driver

\* Lumen output measured at source

\*\* See Warranty Terms and Conditions for more information

For more information contact *Havit Lighting*

ADDRESS:  
 143 Beauchamp Road  
 Matraville NSW 2036  
 Australia

Tel: 02 9381 8300  
 Fax: 02 9666 8881  
 Email: sales@havit.com.au  
 web: www.havit.com.au

# 316 Stainless Steel Up & Down Step Lights

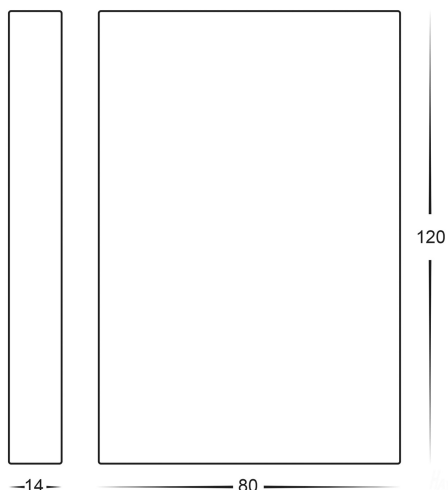


## PRODUCT SPECIFICATIONS

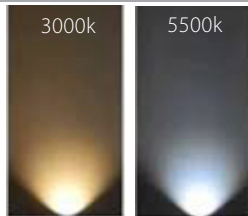
- Name:** Stylez
- Material:** 316 Stainless Steel
- Colour:** Stainless Steel
- IP Rating:** IP65
- Lamp Base:** Built in LED
- Cable Length:** 200mm
- CRI:** ≥80
- Wiring:** Parallel
- Dimmable:** No
- Warranty:** 2 Years Replacement\*\*



## DIMENSIONS



## COLOUR TEMPERATURE



## IP RATING



## APPROVALS



## Product Ordering

IMAGE	PART NUMBER	INPUT	COLOUR TEMP	LUMENS	BEAM ANGLE	INCLUDED LED
	<b>HV3289C-SS316</b>	12v DC	5500k	2x 250lm	120°	3w Built in LED
	<b>HV3289W-SS316</b>	12v DC	3000k	2x 240lm	120°	3w Built in LED

12v DC models must be used with suitable 12v DC LED Driver

\* Lumen output measured at source

\*\* See Warranty Terms and Conditions for more information

For more information contact Havit Lighting

ADDRESS:  
143 Beauchamp Road  
Matraville NSW 2036  
Australia

Tel: 02 9381 8300  
Fax: 02 9666 8881  
Email: sales@havit.com.au  
web: www.havit.com.au

# Stylez Black Up & Down LED Step Light

## PRODUCT SPECIFICATIONS

Name	Stylez
Material	316 Stainless Steel
Colour	Poly Powder Coated Black
IP Rating	IP65
Lamp Base	Built in LED
CRI	> 80
Wiring	Parallel
Dimmable	No
Warranty	3 Years Replacement



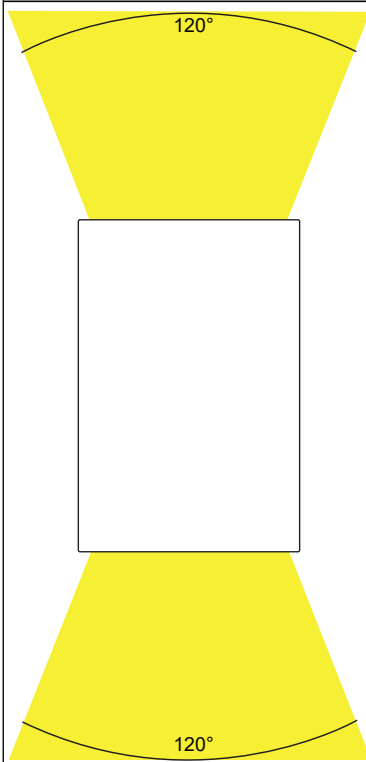
### APPROVAL

### IP RATING

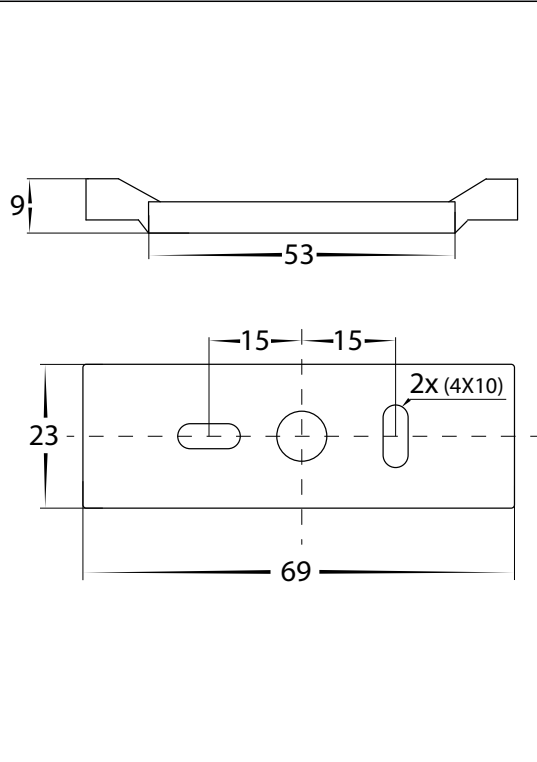
### COLOUR TEMP



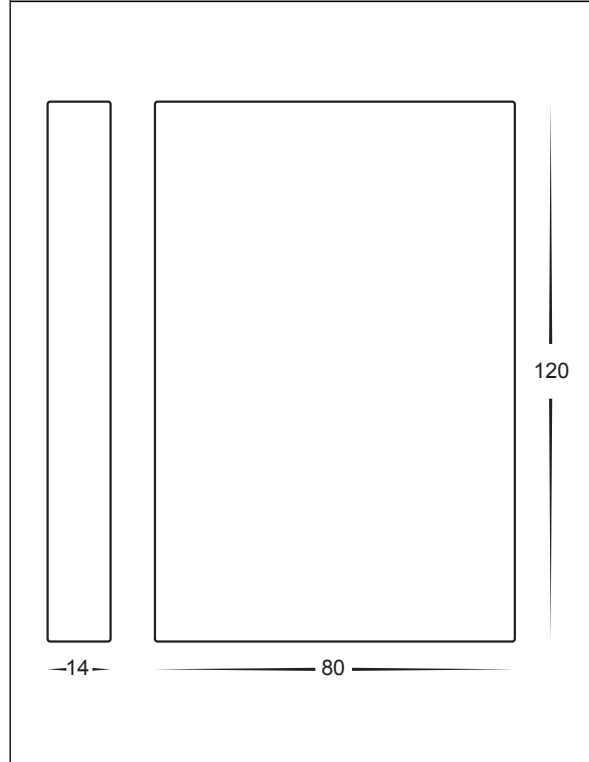
### LIGHT DISTRIBUTION



### MOUNTING BASE



### DIMENSIONS



PART NUMBER	COLOUR TEMP	LUMENS	INPUT VOLTAGE	BEAM ANGLE	INCLUDED LED
<b>HV3289C-BLK</b>	5500k	2x 250lm	12v	120°	2x 3w Built in LED
<b>HV3289W-BLK</b>	3000k	2x 240lm	12v	120°	2x 3w Built in LED

For More Information Contact Havit Lighting

143 Beauchamp Road  
Matraville NSW 2036  
Australia

Tel: 02 9381 83000  
Fax: 02 9666 888  
Email: sales@havit.com.au  
Web: www.havit.com.au



Warranty Terms & Conditions



Additional Information

# Stylez Graphite Up & Down LED Step Light

## PRODUCT SPECIFICATIONS

Name	Stylez
Material	316 Stainless Steel
Colour	Graphite
IP Rating	IP65
Lamp Base	Built in LED
CRI	> 80
Wiring	Parallel
Dimmable	No
Warranty	3 Years Replacement



### APPROVAL



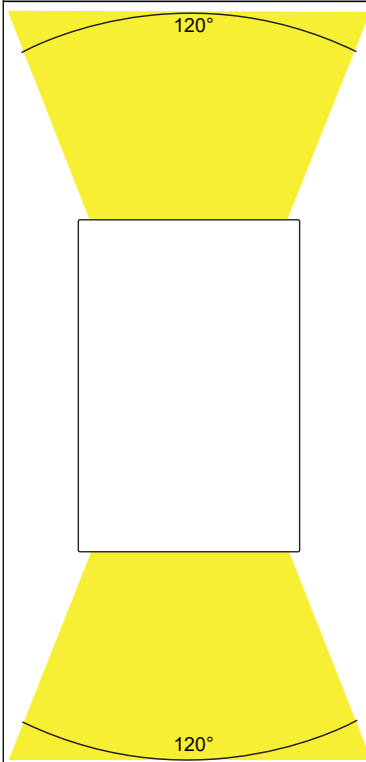
### IP RATING



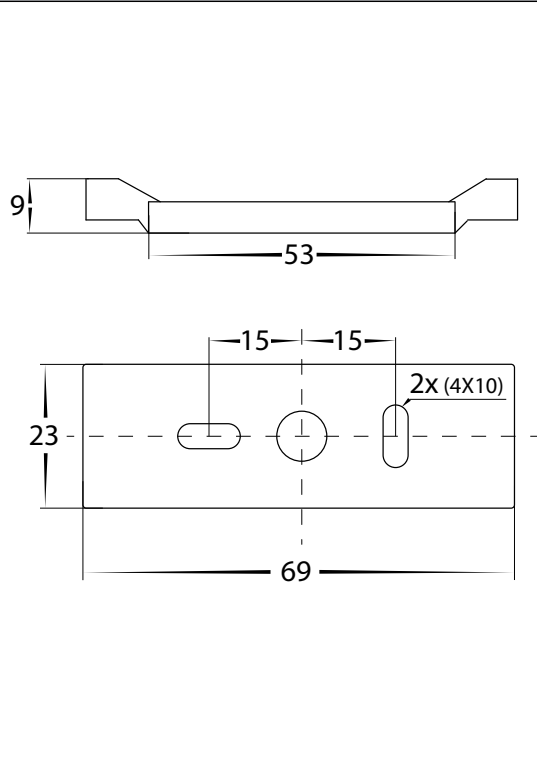
### COLOUR TEMP



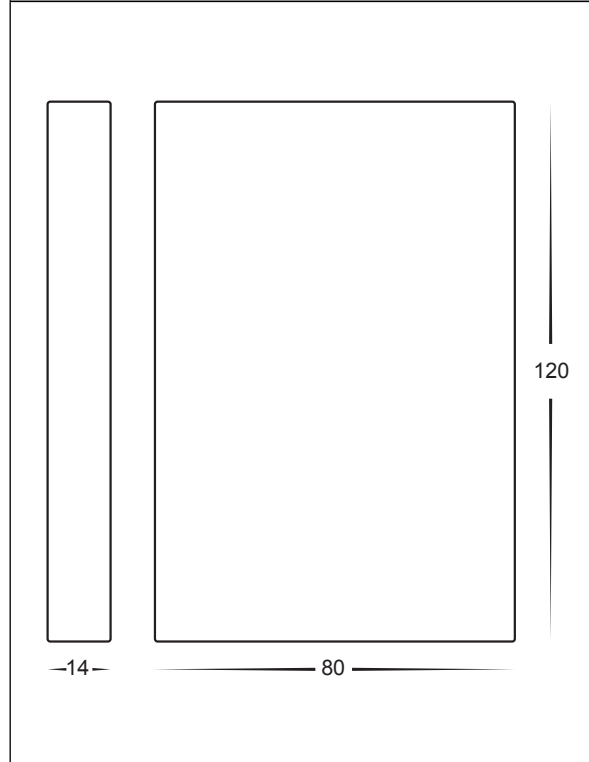
### LIGHT DISTRIBUTION



### MOUNTING BASE



### DIMENSIONS



PART NUMBER	COLOUR TEMP	LUMENS	INPUT VOLTAGE	BEAM ANGLE	INCLUDED LED
<b>HV3289C-GPH</b>	5500k	2x 250lm	12v	120°	2x 3w Built in LED
<b>HV3289W-GPH</b>	3000k	2x 240lm	12v	120°	2x 3w Built in LED

For More Information Contact Havit Lighting

143 Beauchamp Road  
Matraville NSW 2036  
Australia

Tel: 02 9381 83000  
Fax: 02 9666 888  
Email: sales@havit.com.au  
Web: www.havit.com.au



Warranty Terms & Conditions



Additional Information



# Stylez White Up & Down LED Step Light

## PRODUCT SPECIFICATIONS

Name	Stylez
Material	316 Stainless Steel
Colour	White
IP Rating	IP65
Lamp Base	Built in LED
CRI	> 80
Wiring	Parallel
Dimmable	No
Warranty	3 Years Replacement



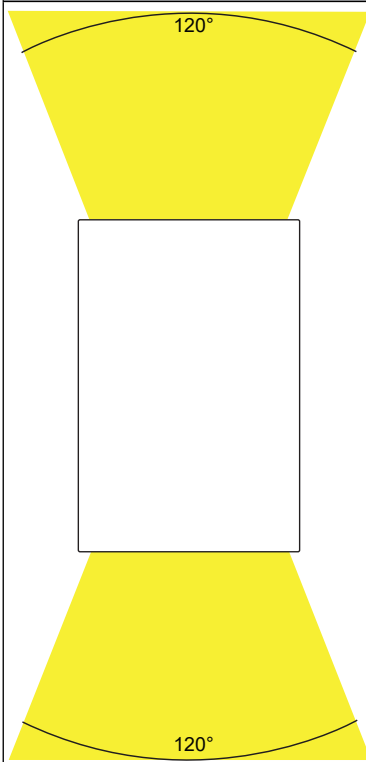
### APPROVAL

### IP RATING

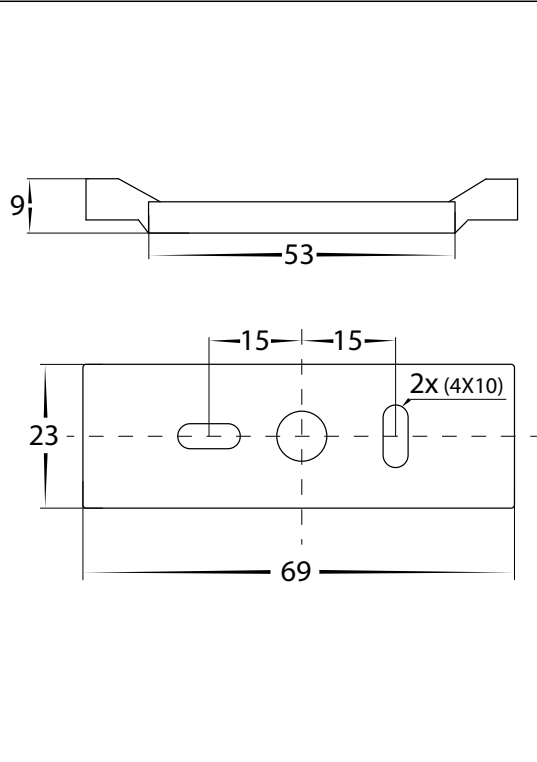
### COLOUR TEMP



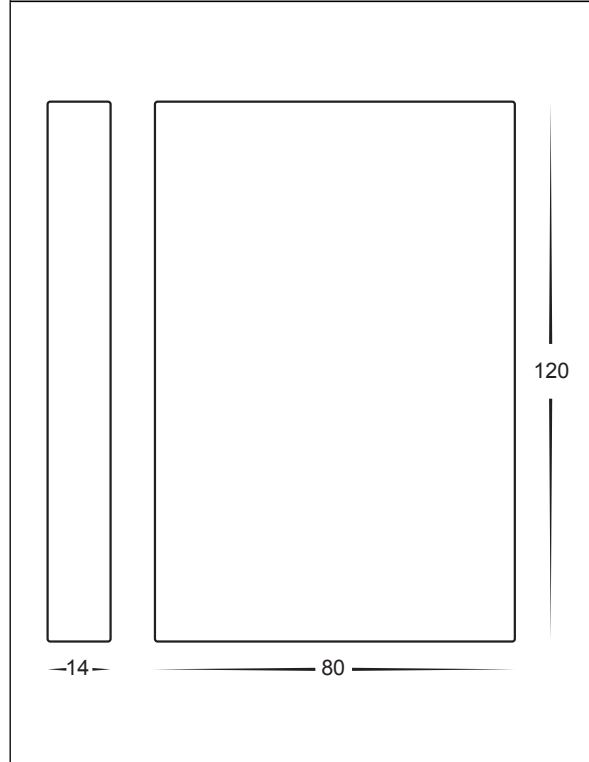
### LIGHT DISTRIBUTION



### MOUNTING BASE



### DIMENSIONS



PART NUMBER	COLOUR TEMP	LUMENS	INPUT VOLTAGE	BEAM ANGLE	INCLUDED LED
<b>HV3289C-WHT</b>	5500k	2x 250lm	12v	120°	2x 3w Built in LED
<b>HV3289W-WHT</b>	3000k	2x 240lm	12v	120°	2x 3w Built in LED

For More Information Contact Havit Lighting

143 Beauchamp Road  
Matraville NSW 2036  
Australia

Tel: 02 9381 83000  
Fax: 02 9666 888  
Email: sales@havit.com.au  
Web: www.havit.com.au



Warranty Terms & Conditions



Additional Information