

# Nava Step Light Installation Instructions



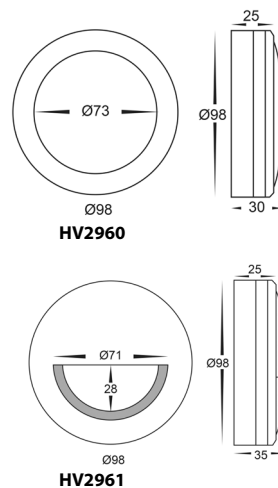
## Product Specifications

Model No.	HV2960W-BLK-240V	HV2960W-TTM-240V	HV2961W-BLK-240V	HV2961W-TTM-240V	HV2960C-BLK-240V	HV2960C-TTM-240V	HV2961C-BLK-240V	HV2961C-TTM-240V
Name	Nava							
Material	Aluminium							
Colour	Black	Titanium	Black	Titanium	Black	Titanium	Black	Titanium
IP Rating	IP65							
Input Voltage	240v AC							
Lamp Base	Built in LED							
Lamp Wattage	5w							
Colour Temp	3000k				5500k			
Lumens	360lm				400lm			
CRI	> 80							
Wiring	Parallel							
Dimmable	No							
Warranty	2 Years Replacement*							

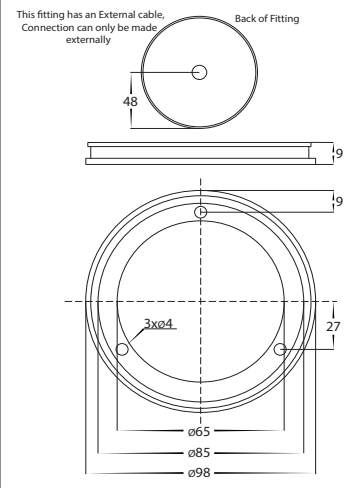
### Important Safety Issues:

- This product must be installed by a qualified electrician according to AS/ NZS 3000.
- Ensure all electrical mains are disconnected before any installation.
- Modification of this product will void any warranty.
- Havit Lighting does not take responsibility for wrong installation, incorrect use, or use of installation material that does not belong to the system.
- When installing low voltage fittings, Voltage to fitting must be within +or- 5% of voltage required, if not within this allowance warranty will be voided.
- Aluminium and 304SS fittings must not be installed within 2km of any salt water environments.
- When installing copper fittings, gloves must be worn to avoid any oils transferring to fitting.
- All 316 & 304 stainless steel fittings must have regular cleaning maintenance to avoid any tea staining from forming on fitting. (Warranty does not cover Tea Staining)
- All o-rings and seals must be in place correctly to maintain warranty
- This form may be updated at any time due to product improvements, please check online installation form for most current version.

### Dimensions



### Mounting Base Diagram



### Steps for Installation:

- Make sure that the electrical circuit is free of voltage (master switch off)
- Remove allen screws from side of fitting as set aside.
- Install base plate in desired location
- Connect the cable - use wire with earth; connect the earth first, then live and neutral wire
- Strip back the cable on both fitting and cable run and twist together the earth cables first, then positive and neutral cables together.
- Solder all joins using solder and either a heat gun or butane gas torch.
- Cover connections using an adhesive lined heat shrink or gel cap to make connection watertight. Failure to do this will void warranty.
- Heat the heat shrink or crimp the gel cap making sure all connections are covered.
- Reattach fitting to base plate making sure allen screws are tight to avoid water penetration into fitting
- Apply silicon around edge of fitting to prevent any water from getting inside to electrical connections.
- All connections must be carried out carefully, inspect all contacts before switching back on the electric circuit.

## Must be installed by a licensed electrician

### Contact Details:

143 Beauchamp Road  
Matraville NSW 2036  
Australia  
Tel: 02 9381 8300  
Fax: 02 9666 8881  
Email: sales@havit.com.au  
Web: www.havit.com.au

### Warranty Terms & Conditions\*



### Additional Information



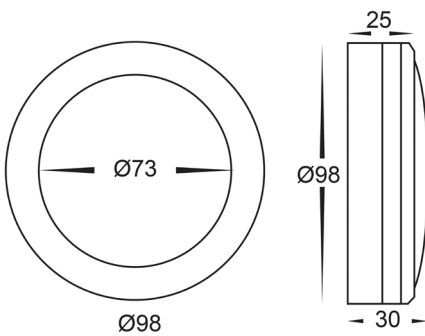
# Nava Step Light Installation Instructions



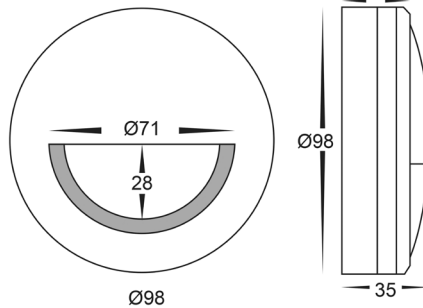
## Product Specifications

Model No.	HV2960W-BLK-12V	HV2960W-TTM-12V	HV2961W-BLK-12V	HV2961W-TTM-12V	HV2960C-BLK-12V	HV2960C-TTM-12V	HV2961C-BLK-12V	HV2961C-TTM-12V
Name	Nava							
Material	Aluminium							
Colour	Black	Titanium	Black	Titanium	Black	Titanium	Black	Titanium
IP Rating	IP65							
Input Voltage	12v DC							
Lamp Base	Built in LED							
Lamp Wattage	5w							
Colour Temp	3000k				5500k			
Lumens	360lm				400lm			
CRI	> 80							
Wiring	Parallel							
Dimmable	No							
Warranty	2 Years Replacement*							

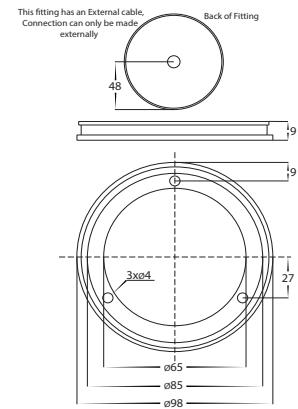
### HV2960 Dimensions



### HV2961 Dimensions



### Mounting Base Diagram



## Important Safety Issues:

- This product must be installed by a qualified electrician according to AS/NZS 3000.
- Ensure all electrical mains are disconnected before any installation.
- Do not exceed maximum wattage restrictions for globes: 240V GU10 = 35w / 12V MR16 = 20w
- Modification of this product will void any warranty.
- Havit Lighting does not take responsibility for wrong installation, incorrect use, or use of installation material that does not belong to the system.
- When installing low voltage fittings, Voltage to fitting must be within +/- 5% of voltage required and cannot be installed more than 25m from LED Driver, if not within this allowance warranty will be voided.
- Aluminium and 304SS fittings must not be installed within 2km of any salt water environments.
- When installing copper fittings, gloves must be worn to avoid any oils transferring to fitting.
- All 316 stainless steel fittings must have regular cleaning maintenance to avoid any tea staining from forming on fitting. (Warranty does not cover Tea Staining)
- All o-rings and seals must be in place correctly to maintain warranty.
- These instructions may be updated at any time due to product improvements, Please visit website for most current installation instructions.

## Steps for Installation:

1. Make sure that the electrical circuit is free of voltage (master switch off)
2. Remove allen screws from side of fitting as set aside.
3. Install base plate in desired location
4. Using an appropriate 12v LED Driver - DO NOT CONNECT LIGHT FITTING DIRECTLY TO 240V
5. Connect the cable - If more than one fitting installed, wiring must be done in parallel.
6. Strip back the cable on both fitting and cable run and twist the positive cables together. Then connect neutral cables together
7. Solder all joins using solder and either a heat gun or butane gas torch.
8. Cover connections using an adhesive lined heat shrink or gel cap to make connection watertight. Failure to do this will void warranty.
9. Heat the heat shrink or crimp the gel cap making sure all connections are covered.
10. Reattach fitting to base plate making sure allen screws are tight to avoid water penetration into fitting
11. Apply silicon around edge of fitting to prevent any water from getting inside to electrical connections.
12. All connections must be carried out carefully, inspect all contacts before switching back on the electric circuit.

## Must be installed by a licensed electrician

### Contact Details:

143 Beauchamp Road  
Matrville NSW 2036  
Australia  
Tel: 02 9381 8300  
Fax: 02 9666 8881  
Email: sales@havit.com.au  
Web: www.havit.com.au

### Warranty Terms & Conditions\*



### Additional Information



HV2960-BLK



HV2960-TTM



HV2961-BLK



HV2961-TTM