

Split SS316 TRI Colour LED Inground Uplighter

PRODUCT SPECIFICATIONS

Name	Split
Material	316 Stainless Steel
Colour	Stainless Steel
IP Rating	IP67
Lamp Base	Built in LED
CRI	> 80
IK Rating	IK10
Trafficable	1000kg
Wiring	Parallel
Dimmable	No
Warranty	2 Years Replacement

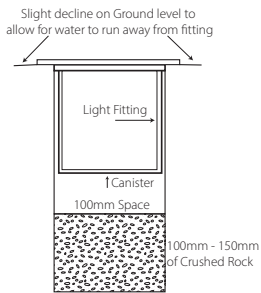
COLOUR TEMP

IP RATING

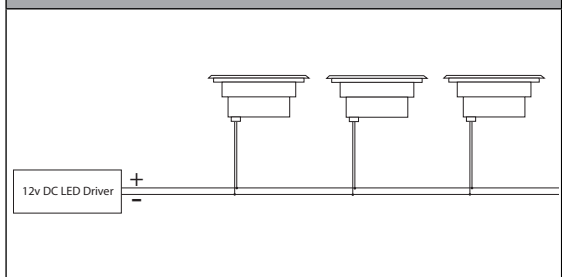
APPROVAL

<p>Tri-Colour By Havit</p> <p>3000K</p> <p>4000K</p> <p>5500K</p>		
---	--	--

SAMPLE ADEQUATE DRAINAGE DIAGRAM



SAMPLE WIRING DIAGRAM



DIMENSIONS

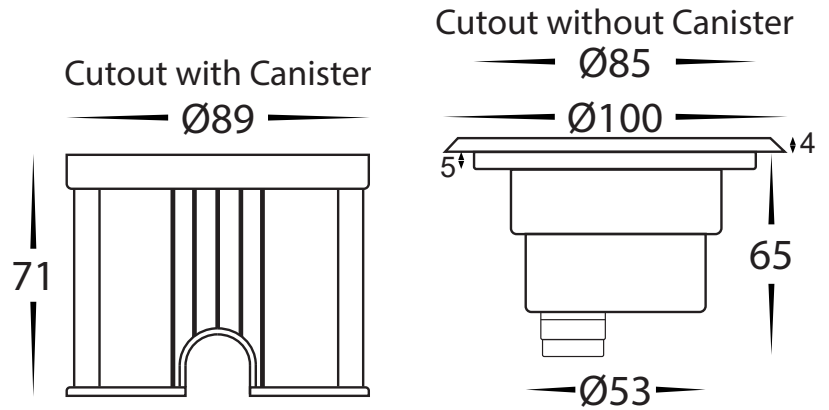


IMAGE	PART NUMBER	COLOUR TEMP	LUMENS	INPUT VOLTAGE	BEAM ANGLE	INCLUDED LED
	HV1841T	3000k 4000k 5500k	220lm 230lm 240lm	12v DC	60°	TRI Colour Built in 3w LED
	HV1841-F-SH	Security face with screw holes to suit HV1841T				

Must be used with a suitable 12v DC LED Driver

For More Information Contact Havit Lighting

143 Beauchamp Road
Matraville NSW 2036
Australia

Tel: 02 9381 83000
Fax: 02 9666 888
Email: sales@havit.com.au
Web: www.havit.com.au



Warranty Terms & Conditions



Additional Information