

# Tivah 316 Stainless Steel Garden Spike Light

## PRODUCT SPECIFICATIONS

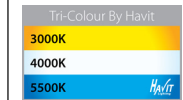
Name	Tivah
Material	316 Stainless Steel
Colour	Stainless Steel
IP Rating	IP65
Lamp Base	MR16
CRI	> 80
Spike Length	405mm
Cable Length	2 Metres
Wiring	Parallel
Dimmable	No - not with supplied globes
Warranty	2 Years Replacement



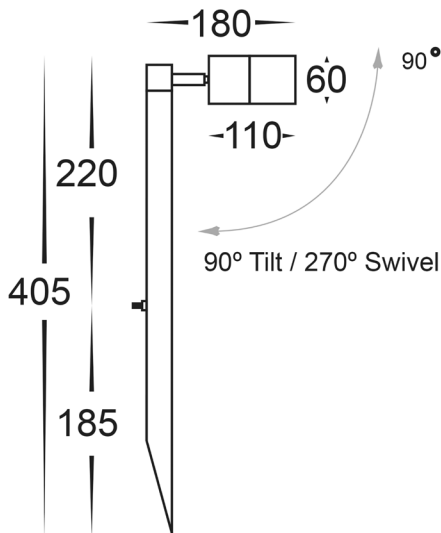
### COLOUR TEMP

### IP RATING

### APPROVAL



## DIMENSIONS



## COMPATIBLE WITH

Adjustable Beam Angle  
HV9559W



9in1 12v or 24v DC  
HV9507 (12v) / HV9508 (24v)



## SUITABLE 12V DC LED DRIVERS



HV9654



HV9653

The drivers above are suggestions only, Factors to consider are total load, run length and cable size. For more information contact Havit Sales Office or Sales Representative

PART NUMBER	COLOUR TEMP	LUMENS	INPUT VOLTAGE	BEAM ANGLE	INCLUDED LED
<b>HV1407T-SS316</b>	3000K 4000K 5500K	270lm 285lm 300lm	12v DC	120°	<b>TRI Colour</b> 5w MR16 LED

Must be used with a suitable 12v DC LED Driver

For More Information Contact Havit Lighting

143 Beauchamp Road  
Matraville NSW 2036  
Australia

Tel: 02 9381 83000  
Fax: 02 9666 888  
Email: sales@havit.com.au  
Web: www.havit.com.au



Warranty Terms & Conditions



Additional Information

# Tivah Aluminium Black Garden Spike Light

## PRODUCT SPECIFICATIONS

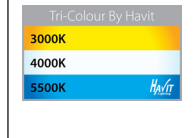
Name	Tivah
Material	Aluminium
Colour	Poly Powder Coated Black
IP Rating	IP65
Lamp Base	MR16
CRI	> 80
Spike Length	405mm
Cable Length	2 Metres
Wiring	Parallel
Dimmable	No - not with supplied globes
Warranty	2 Years Replacement



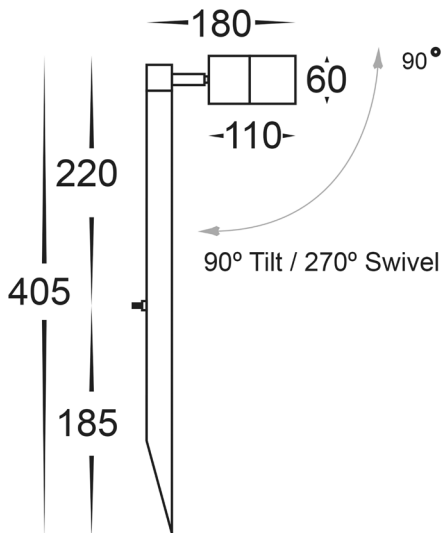
### COLOUR TEMP

### IP RATING

### APPROVAL



## DIMENSIONS



## COMPATIBLE WITH

Adjustable Beam Angle  
HV9559W



9in1 12v or 24v DC  
HV9507 (12v) / HV9508 (24v)



## SUITABLE 12V DC LED DRIVERS



HV9654



HV9653

The drivers above are suggestions only, Factors to consider are total load, run length and cable size. For more information contact Havit Sales Office or Sales Representative

PART NUMBER	COLOUR TEMP	LUMENS	INPUT VOLTAGE	BEAM ANGLE	INCLUDED LED
<b>HV1407T-BLK</b>	3000K 4000K 5500K	270lm 285lm 300lm	12v DC	120°	<b>TRI Colour</b> 5w MR16 LED

Must be used with a suitable 12v DC LED Driver

For More Information Contact Havit Lighting

143 Beauchamp Road  
Matraville NSW 2036  
Australia

Tel: 02 9381 83000  
Fax: 02 9666 888  
Email: sales@havit.com.au  
Web: www.havit.com.au



Warranty Terms & Conditions



Additional Information