

# Mini Tivah Single Adjustable Installation Instructions



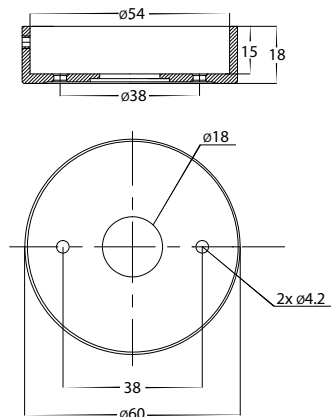
## Product Specifications

Model No.	HV1207MR11NW	HV1227MR11NW
Name	Mini Tivah	
Material	316 Stainless Steel	Aluminium
Colour	Stainless Steel	Black
IP Rating	IP65	
Input Voltage	12v DC	
Lamp Base	MR11	
Lamp Wattage	1x 3w	
Lumens	270lm, 300lm	
Colour Temp	3000k or 4000k	
CRI	> 80	
Wiring	Parallel	
Dimmable	No (with globes supplied)	
Warranty	2 Years Replacement*	

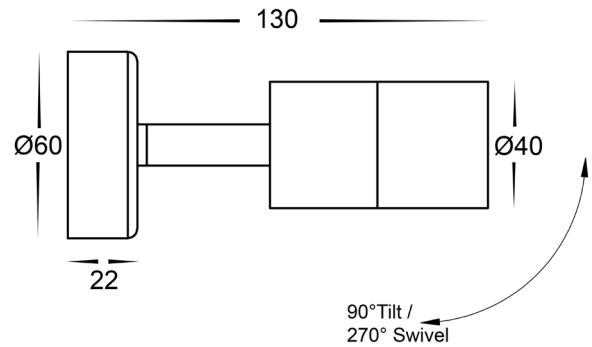
## Important Safety Issues:

- This product must be installed by a qualified electrician according to AS/NZS 3000.
- Ensure all electrical mains are disconnected before any installation.
- Do not exceed maximum wattage restrictions for globes:  
240V GU10 = 35w / 12V MR16 = 20w
- Modification of this product will void any warranty.
- Havit Lighting does not take responsibility for wrong installation, incorrect use, or use of installation material that does not belong to the system.
- When installing low voltage fittings, Voltage to fitting must be within +or- 5% of voltage required and cannot be installed more than 25m from LED Driver, if not within this allowance warranty will be voided.
- Aluminium and 304SS fittings must not be installed within 2km of any salt water environments.
- When installing copper fittings, gloves must be worn to avoid any oils transferring to fitting.
- All 316 stainless steel fittings must have regular cleaning maintenance to avoid any tea staining from forming on fitting.  
(Warranty does not cover Tea Staining)
- All o-rings and seals must be in place correctly to maintain warranty.
- These instructions may be updated at any time due to product improvements, Please visit website for most current installation instructions.

## Mounting Bracket Diagram



## Dimensions



## Steps for Installation:

1. Make sure that the electrical circuit is free of voltage (master switch off)
2. Loosen allen screws on side of base and separate mounting bracket from fitting.
3. Install the backing plate securely using appropriate screws for application, Seal all holes in the backing plate including cable entry and screw holes. Failure to do so will void warranty.
4. Connect the cable - Connect live and neutral wire to a suitable 12v DC LED Driver - (DO NOT CONNECT DIRECTLY TO 240V POWER)
5. Affix the fitting to the mounting bracket and tighten screws, making sure these are tight to avoid any water penetration.
6. Apply silicon seal around the whole base plate to avoid any water getting into electrical connections.
7. Fitting is supplied with both 3000k and 4000k globes, Select which colour temperature you want to use, remove covers from fitting by twisting anti clockwise and set aside. Insert globes into lampholder by aligning pins with holes and push down gently.
8. Reattach covers by turning clockwise making sure the seals are still in place and caps are tight to avoid any water penetration.
9. Adjust fitting to desired position making sure to stop rotating when fitting cannot rotate anymore, If forced fitting will continue to rotate and cause internal cables to become entangled causing fitting to short. If this is done, warranty will be voided.
10. All connections must be carried out carefully, inspect all contacts before switching back on the electric circuit.

## Steps for Changing Globe:

1. Remove the cover by twisting anti-clockwise and set aside, remove globe by grabbing the outside of the globe and pulling.
2. Re-insert the appropriate globe by inserting the 2 pins into the lampholder and pushing down gently.  
(Make sure not to exceed max wattage, see product label for correct info.)
3. Reattach cover by turning clockwise making sure the seals are still in place and caps are tight to avoid any water penetration.

## Must be installed by a licensed electrician

### Contact Details:

143 Beauchamp Road  
Matraville NSW 2036  
Australia  
Tel: 02 9381 8300  
Fax: 02 9666 8881  
Email: sales@havit.com.au  
Web: www.havit.com.au

### Warranty Terms & Conditions\*



### Additional Information



HV1207MR11NW



HV1227MR11NW