


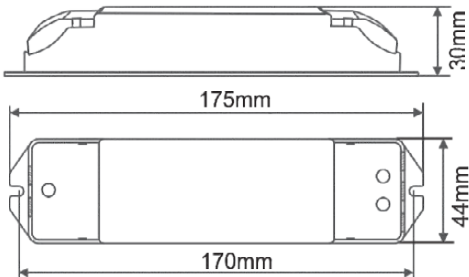
THREE CHANNEL DMX LED STRIP DECODER



PRODUCT DATA

RGB THREE CHANNEL DMX	
MATERIAL	PLASTIC
COLOUR/FINISH	WHITE
LED STRIP TYPE	RGB
NO. OF CHANNELS	3
INPUT VOLTAGE	24V DC
OUTPUT POWER	432W (3X 144W)
DIMMING	DMX 512 DIMMABLE
DIMMING RANGE	0-100%
PROTECTION	OVERLOAD & SHORT CIRCUIT
WORKING TEMP	-30°C - 55°C
WEIGHT	160G

PRODUCT ORDERING

LED STRIP CONTROLLER		
	HCP-73221	432W
DIMENSIONS		
		

SAMPLE WIRING DIAGRAM

