

Air Flow Performance You Can Count On



The Jetline range of high performance, low profile in-line fans are available in single phase and electronically commutated (EC) variations.

They feature silent-block motor mounting to reduce vibrations and lower the sound level of operation. The Jetline uses a quick fit mounting bracket for fast installations and is suitable for mounting in any position.



FANTECH
Intelligent Ventilation

A High Performance Design

The in-line range of Jetline (AC) and Jetline Ecowatt (EC) fans are designed for high aerodynamic performance with low sound levels. Its patented centrifugal impeller maximises air flow performance while the guide vanes integrated into the outlet diffuser increase pressure development. The robust outercasing is manufactured from galvanised sheet metal, and cleverly positioned terminal box and mounting bracket won't increase the overall height of the fan profile.

The Jetline in-line fan range has the performance comparable to an equivalent centrifugal or mixed-flow in-line fan with duct diameter up to 315mm. It's compact, low profile design makes the Jetline ideal for wide range of residential and commercial applications including buildings such as apartments and hotels that have been designed with limited ceiling spaces.



Key Features

- 6 fan sizes: Suits 100, 125, 150, 200, 250 and 315mm duct diameters
- Optimised impeller, guide vanes, and outlet diffuser for low noise operation
- Low profile, durable outer casing manufactured from galvanised sheet metal
- Robust, galvanised metal quick fit mounting bracket for fast installations
- Internal housing and impeller made from injected moulded plastic
- Rated IP44
- Speed controllable with optional VA speed controllers (AC) or 0-10V analogue input signal (EC)



Easy to install



Energy saver



Quiet operation



Aerodynamic performance



Built for Quiet Operation

Jetline fans maintain good airtightness between the galvanised outer casing and internal plastic components, while the rubber gasket on the spigots improves the seal between the fan and duct work connection. Silent-block mounting between the motor and inner plastic casing eliminates motor vibration and lowers the overall sound level of operation.



Fast Installations

The Jetline quick fit mounting bracket not only allows for the junction box to be mounted to either side of the fan, it has been designed for fast installations.

- 1 Use the mount bracket as a template to position two mounting screws.
- 2 Attach the bracket to the Jetline fan.
- 3 Then simply position the fan with attached bracket over the screws, clip in and tighten.



The Jetline quick fit mounting bracket

Mounting Positions

Jetline fans support two mounting positions, by simply adjusting the foot mount. This enables the junction box to be positioned on either side of the Jetline fan.

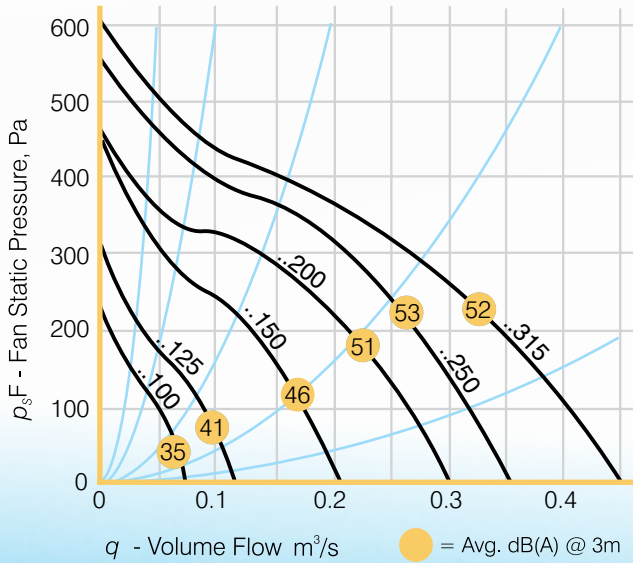


Mounting positions

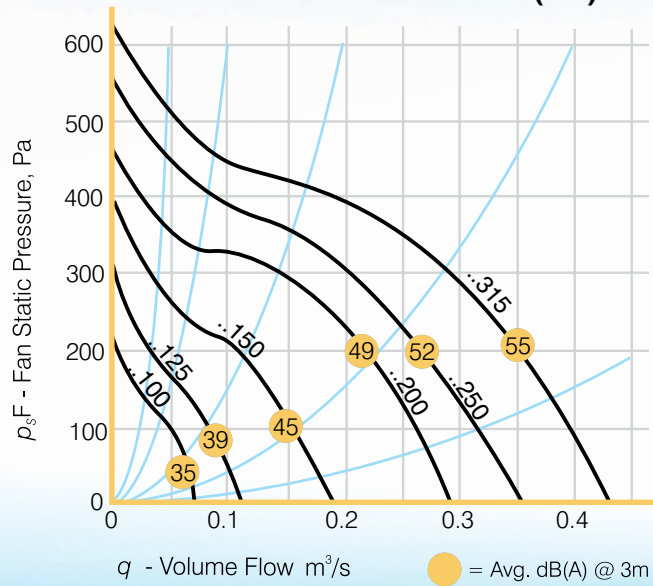


Performance Curve

Jetline In-line Fan (AC)



Jetline Ecowatt In-line Fan (EC)



Technical Data

Jetline In-line Fan (AC)

Model Number	Fan Speed rev/sec	Avg dB(A) @ 3m*	JETLINE...1ph Watts	Max amp Amps	Max amb °C
JETLINE-100	45	35	19	0.1	60
JETLINE-125	44	41	40	0.2	60
JETLINE-150	46	46	83	0.4	60
JETLINE-200	44	51	125	0.5	60
JETLINE-250	45	53	160	0.7	60
JETLINE-315	43	52	215	0.9	60

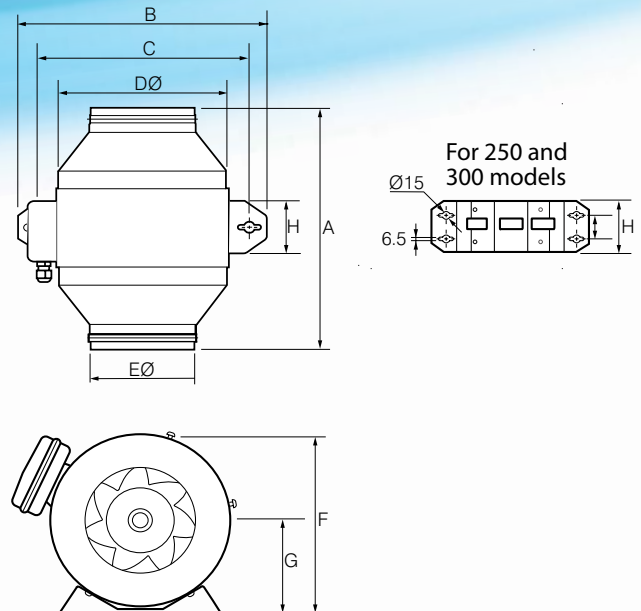
* Inlet Sound Levels

Jetline Ecowatt In-line Fan (EC)

Model Number	Fan Speed rev/sec	Avg dB(A) @ 3m*	JETLINE...1ph Watts	Max amp Amps	Max amb °C
JETLINE-100ECO	44	35	16	0.1	40
JETLINE-125ECO	44	39	26	0.2	40
JETLINE-150ECO	44	45	58	0.5	40
JETLINE-200ECO	44	49	109	0.8	40
JETLINE-250ECO	46	52	135	0.9	40
JETLINE-315ECO	44	55	194	1.3	40

* Inlet Sound Levels

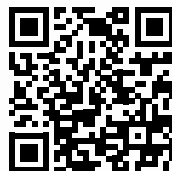
Dimensions



Model Number	A	B	C	DØ	EØ	F	G	H	J
JETLINE-100	276	306	256	181	95	190	98	70	-
JETLINE-125	279	315	265	206	120	214	111	70	-
JETLINE-150	323	348	299	244	145	252	130	70	-
JETLINE-200	322	369	320	273	195	281	145	100	-
JETLINE-250	329	375	326	293	245	301	155	120	50
JETLINE-315	369	407	358	322	310	331	170	120	50



Scan the QR Code for more information



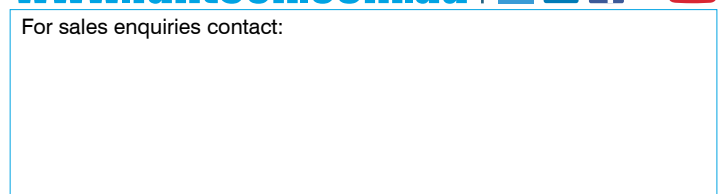
FANTECH
Intelligent Ventilation

Fantech Pty. Ltd.

Victoria: (+61 3) 9554 7845
 New South Wales: (02) 8811 0400
 South Australia: (08) 8294 0530
 Northern Territory: (08) 8947 0447
 Queensland: (07) 3299 9888
 Western Australia: (08) 9209 4999
 A.C.T.: (02) 6280 5511
 Tasmania: (03) 6273 6455
 New Zealand: (09) 444 6266

www.fantech.com.au | [Twitter](#) | [LinkedIn](#) | [Facebook](#) | [YouTube](#)

For sales enquiries contact:



Specifications and design subject to change without notice.

A MEMBER OF **eg** ELTA GROUP