

BOLT-60-TRIO

Date:06/2020

Order Code	Product Code	Description
66000	BOLT-60-TRIO	(10W) Warm White 3000K - 810lm (21W) Warm White 3000K - 1665lm (10W) Neutral White 4000K - 900lm (21W) Neutral White 4000K - 1850lm (10W) White 5700K - 900lm (21W) White 5700K - 1850lm

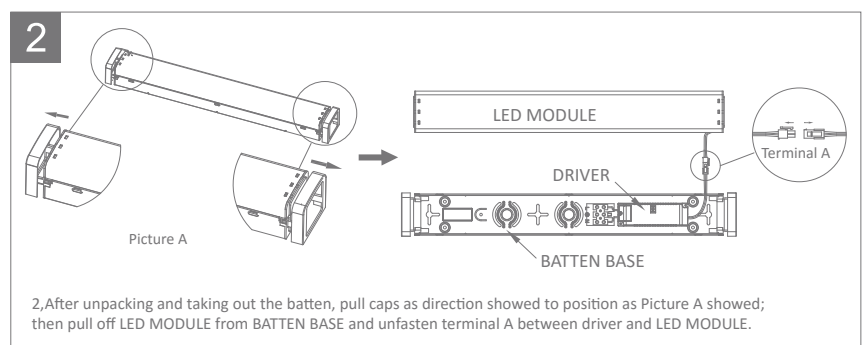
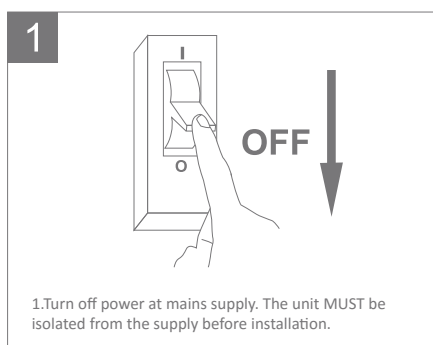
Thank you for purchasing your new LED BOLT Batten, Please take the time to read and understand the instruction sheet below. Failure to do so may void warranty.

Note: The light source of this luminaire is not replaceable; When the light source reaches its end of life, the whole luminaire shall be replaced.

BOLT-60

Voltage:	240V~	Lumen (±10%):	(10W) Warm White 3000K - 810lm (21W) Warm White 3000K - 1665lm (10W) Neutral White 4000K - 900lm (21W) Neutral White 4000K - 1850lm (10W) White 5700K - 900lm (21W) White 5700K - 1850lm	Dimmable:	No
Power:	10/21W	Beam Angle:	120°	CCT:	3000K, 4000K, 5700K
IP Rating:	44	CRI:	≥80	Lifespan:	40,000hrs
Frequency:	50Hz	Power Factor:	0.9C	Current:	118mA
Weight:	1kg				

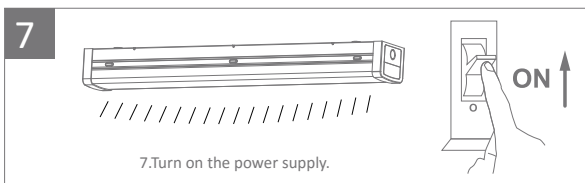
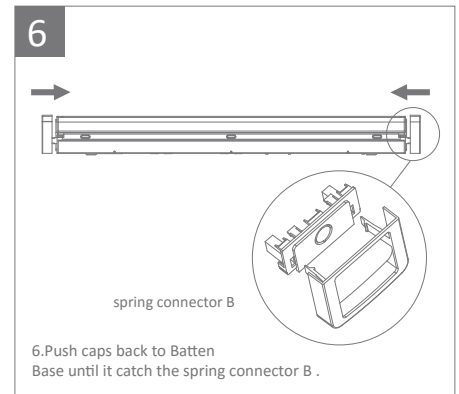
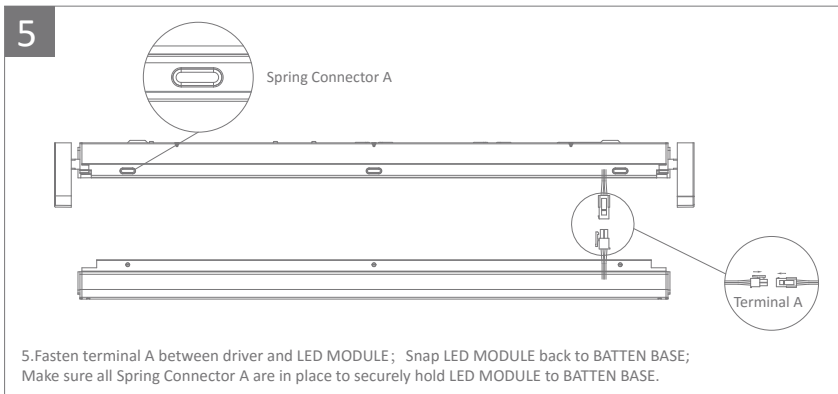
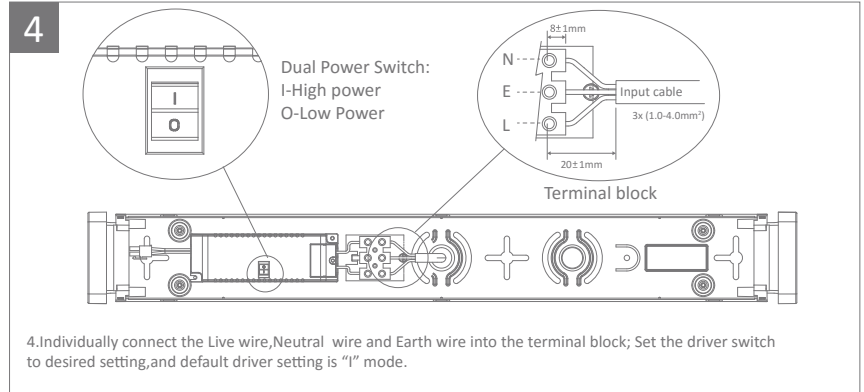
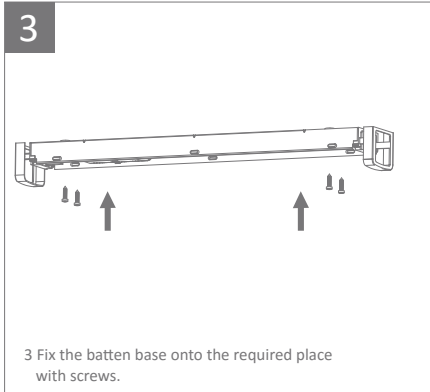
Surface Mounted



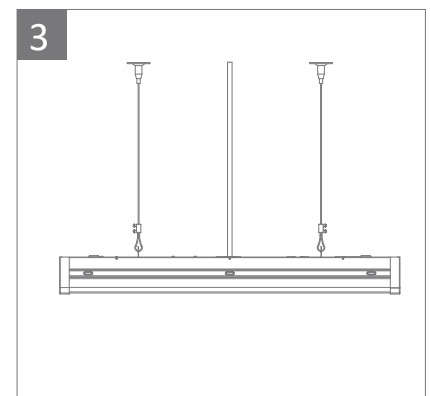
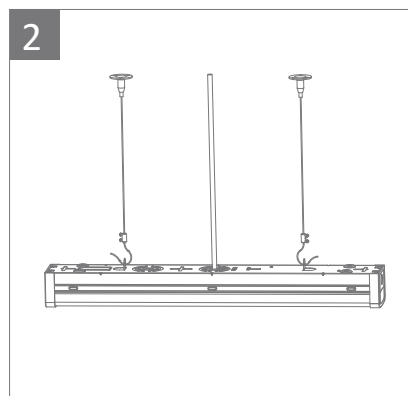
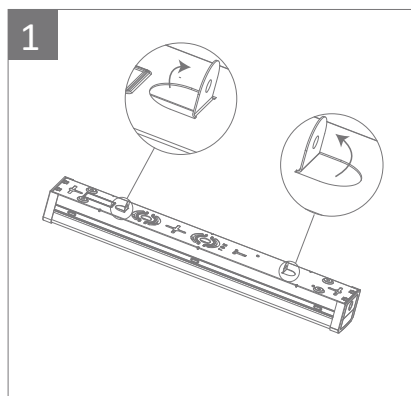
Note: -The lamp must be installed by professional electrician
-Ensure the power supply is switched off before fitting this product

-Do not touch the lamp when in use
-Keep away from hot steam and corrosive gas

Surface Mounted



Suspended



Warning:

If the product is not installed as per the Installation Manual, then the warranty and liability for the product will be voided.



Note: -The lamp must be installed by professional electrician
-Ensure the power supply is switched off before fitting this product

-Do not touch the lamp when in use
-Keep away from hot steam and corrosive gas