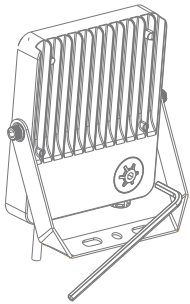


BLAZE-PRO Series

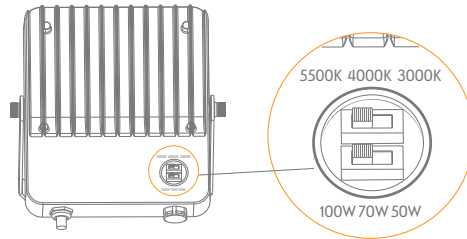
Specifications

	50W*	100W*	200W*
Power:	20/30/50W	50/70/100W	100/150/200W
CCT:	3000K/4000K/5500K	3000K/4000K/5500K	3000K/4000K/5500K
Lumen (±5%):	5060/5470/5360lm	10750/12150/11550lm	21970/24380/23470lm
Net Weight	0.72kg	1.28kg	2.60kg
Max Projected Area	0.020m ²	0.045m ²	0.087m ²
Dimmable:	No	IP Rating:	IP66
Input Voltage:	240V	Beam Angle:	120°
CRI:	≥70	Lifespan:	20,000hrs
CCT (Switchable):	3000K- 4000K-5500K	Power Factor:	≥0.9

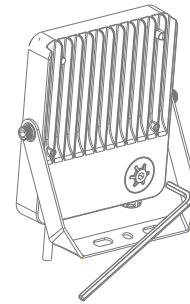
CCT and Power selectable by DIP switch



Use Allen key (5mm) to unscrew the dip switch CCT and power selectable waterproof cover.



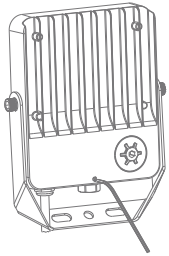
Toggle the switch to the desired colour temperature and power. (Please note don't operate the switch while power is on.)



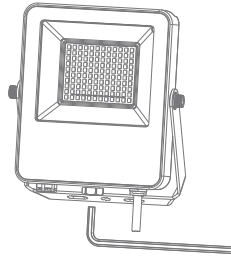
Use Allen key (5mm) to tighten screw on the waterproof ring and cover.

Installation Manual

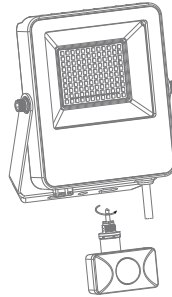
PIR sensor installation



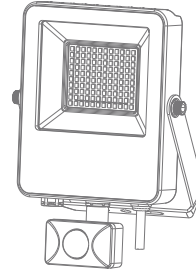
Loosen the M4 set screw with the 2mm Allen key.



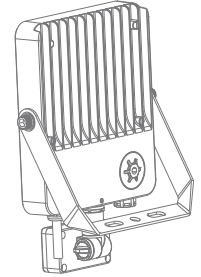
Use a 5mm Allen key to remove the waterproof cover.



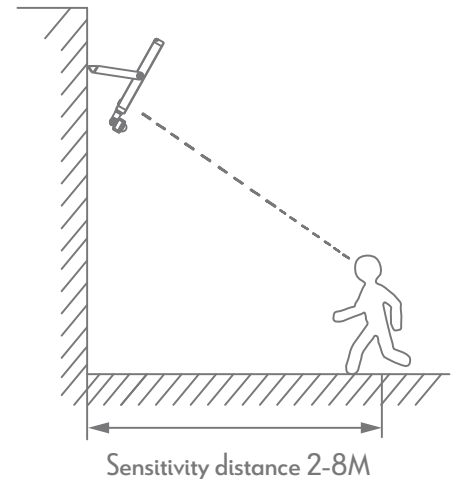
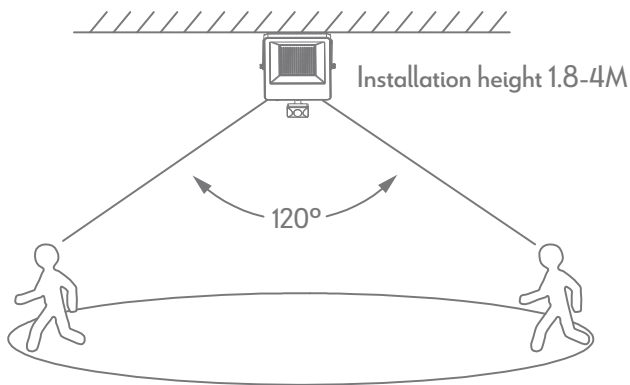
Screw the sensor clockwise into the hole.



Adjust the direction of the sensor.



Tighten the M4 set screw with a wrench.

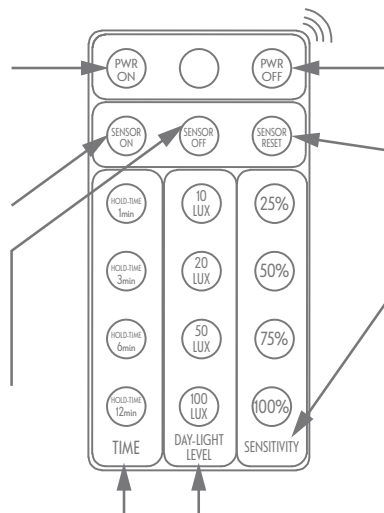


Press to power On the light for 15s by default, then enter the last saved parameter state to be commanded.

Press the sensor On button enter the last saved parameter state to be commanded.

Press the sensor Off button to turn on the constant light mode.

12min Delay time setting, a total of four options, 1min, 3min, 6min & 12min. Press the button and the light flashes once.

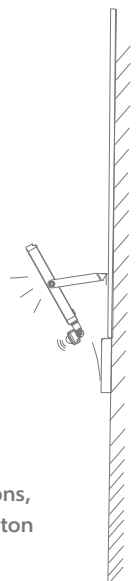


Press to turn Off

30s Restore factory settings button, default delay time 30s, illumination 30 lux, sensitivity 50%.

100% Sensitivity settings, a total of four options, 25%, 50%, 75% & 100%. Press the button and the light flashes once.

Illumination value settings, a total of four options, 10 Lux, 20 Lux, 50 Lux, 100 Lux. Press the button and the light flashes once.



Note: -The lamp must be installed by professional electrician
-Ensure the power supply is switched off before fitting this product

-Do not touch the lamp when in use
-Keep away from hot steam and corrosive gas