

BLISS-10 TRIO LED Downlight



Description

The BLISS range of LED downlights has been specifically designed by incorporating cost saving materials to produce a cost effective and well performing downlight solution to the market. Bright output 10W LED recessed downlight with flat face frame, opal diffuser, dimmable LED driver flex & plug. Fully dimmable with Domus dimmer.

Now with TRIO, the added option of changing the colour temperature output of the downlight with a dip switch at the back of the fitting.

The BLISS series offers the customer a range of performance features including a unique thermal management system not offered by others.



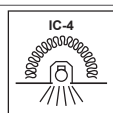
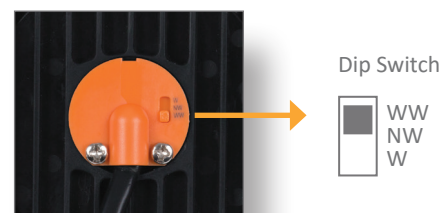
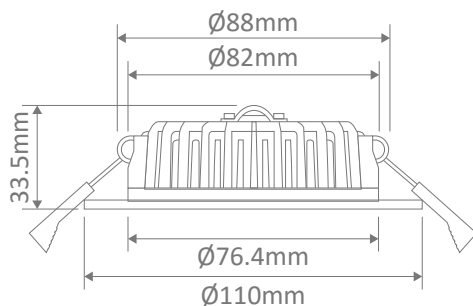
Specification Features

- Input Voltage: 240V AC
- Power (W): 10W
- IP rating (IP): 54
- Lumens (lm): Warm White 3000K - 750lm
Neutral White 4000K - 780lm
White 5700K - 800lm
- LED type: SMD
- CCT: 3000K - 4000K - 5700K (Switchable)
- CRI: ≥83
- Beam angle (°): 120°
- Dimmable: Yes**
- Lifespan (hrs): 40,000hrs
- Cutout (∅): ∅90mm

** Tested on the Domus dimmer series. May work on others but not tested.

Item No.	Variant	Colour
BLISS-10-WHT	20706	Trio

Diagrams / Additional



Recessed Luminaire where fixed building insulation material can abut and cover the recessed luminaire. Building Insulation does not have to be non flammable. Building Insulation must maintain structural integrity at 90 degrees C.
Important: IC-F Downlights are not to be used in the Fire Rated Applications.

BOOST-10 TRIO LED Downlight



Description

The BOOST range of LED downlights has been specifically designed by incorporating cost saving materials to produce a cost effective and well performing downlight solution to the market. Bright output 10W LED recessed downlight with anti-glare deep set frame, opal diffuser, dimmable LED driver flex & plug. Fully dimmable with Domus dimmer.

Now with TRIO, the added option of changing the colour temperature output of the downlight with a dip switch at the back of the fitting.

The BOOST series offers the customer a range of performance features including a unique thermal management system not offered by others.



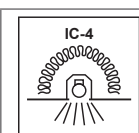
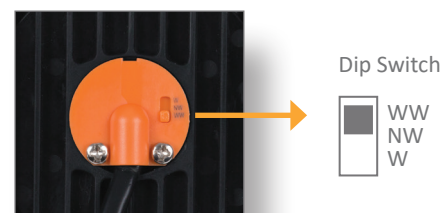
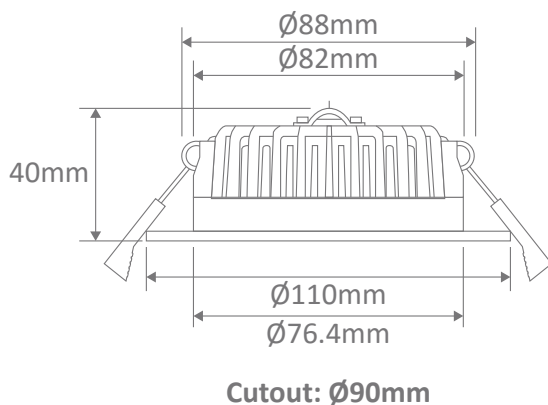
Specification Features

- Input Voltage: 240V AC
- Power (W): 10W
- IP rating (IP): 54
- Lumens (lm): Warm White 3000K - 750lm
Neutral White 4000K - 780lm
White 5700K - 800lm
- LED type: SMD
- CCT: 3000K - 4000K - 5700K (Switchable)
- CRI: ≥83
- Beam angle (°): 90°
- Dimmable: Yes**
- Lifespan (hrs): 40,000hrs
- Cutout (∅): ∅90mm

** Tested on the Domus dimmer series. May work on others but not tested.

Item No.	Variant	Colour
BOOST-10-WHT	20726	TRIO

Diagrams / Additional



Recessed Luminaire where fixed building insulation material can abut and cover the recessed luminaire. Building Insulation does not have to be non flammable. Building Insulation must maintain structural integrity at 90 degrees C.
Important: IC-F Downlights are not to be used in the Fire Rated Applications.