

MR16 EXTERIOR WALL PILLAR LIGHTS (Aged EconomyCopper)



PMUDCECA



PM1FCECA



PM1ACECA

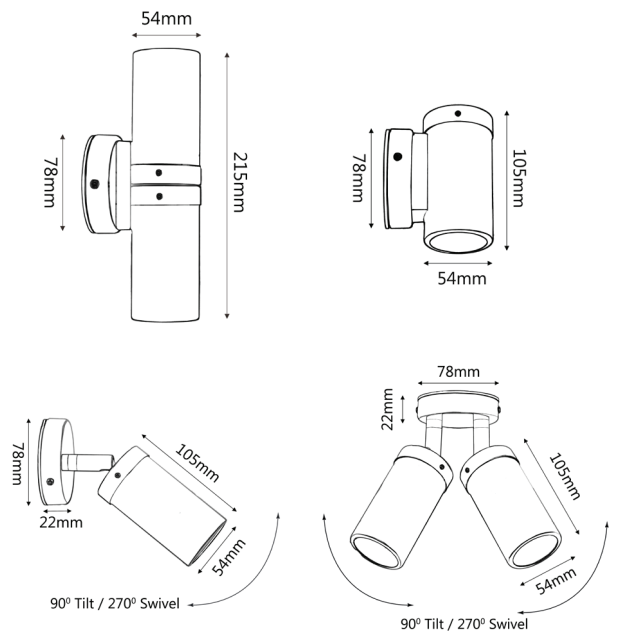


PM2ACECA

Exterior Lighting

PRODUCT FEATURES

- Exterior surface mounted wall lights
- Input voltage range: 12-25V DC
- Material: copper
- Colour: aged copper
- Lamp holder: MR16 (Max.20W halogen)
- Globes not included
- Remote control gear required



Part No.	Description	Lamp Holder	Max. Watt	WEIGHT (KG)	BOX (CM)	CARTON QTY
PMUDCECA	WALL MR16 X 2 PILLAR UP/DN AGED COPPER	2xMR16	2x20W	0.75	23x10x9	1/20
PM1FCECA	WALL MR16 PILLAR FIXED AGED COPPER	1xMR16	1x20W	0.55	12x9x9	1/20
PM1ACECA	WALL MR16 PILLAR S/ADJ AGED COPPER	1xMR16	1x20W	0.55	19x9x9	1/20
PM2ACECA	WALL MR16 X 2 PILLAR D/ADJ RND BASE AGED COPPER	2xMR16	2x20W	0.85	23x11x9	1/20