



PRESTON 48in HUGGER DC CEILING FAN & LIGHT



Remote control
Included

- 48**
INCH
1220mm
- 30W**
DC
MOTOR
- 20°**
BLADE
PITCH
- 10100**
m³/hr
AIRFLOW
- ABS**
BLADES
- 20W**
1400LM
MAX
- TRI-COLOUR
CCT**
- DIMMING**
- 6YR**
WARRANTY

A low-profile design, with clean, modern look makes the Preston an ideal ceiling fan for homes & apartments with lower ceiling heights. Featuring a powerful DC motor paired with an aerodynamic blade design, this hugger style fan can provide comfortable and effective airflow all year round.

- High strength, corrosion proof and easy clean ABS blades
- The Windbreeze mode varies the fan speed to simulate a natural breeze effect.
- 6 speed remote control with timer included.
- Reversible All-Seasons technology for use all year round
- Powerful 30W DC motor
- 20W dimmable & tri-colour temperature adjustable light kit
- Easily change colour temperature (CCT) from warm white 3000K, cool white 4000K to natural white 5700K.
- Uses Brilliant's Quick Connect Plug System to reduce install time

APPLICATIONS

- Ideal for lower ceilings
- Bedrooms, lounge and family rooms
- Indoors or enclosed alfresco areas not exposed to the weather



MATT WHITE



MATT BLACK



PRESTON 48in HUGGER DC CEILING FAN & LIGHT

TECHNICAL SPECIFICATIONS

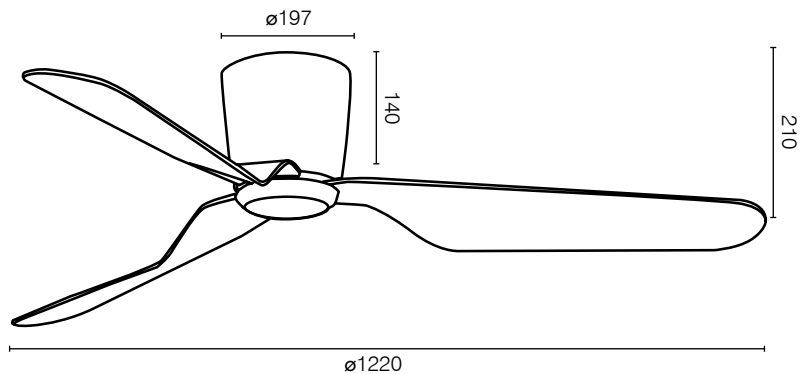
| | |
|-------------------------------|---|
| Size | 48 inch (1220mm) |
| Motor Type | DC (Direct Current) |
| Operating Voltage | 220-240V / 50Hz |
| Motor Wattage | 30W |
| Construction | Metal body |
| Blade Material | Moulded ABS (x3) |
| Ceiling install | Flat mount only |
| Blade Pitch | 20 degrees |
| Ceiling Rake | Flat mount only |
| Light Wattage: | 20W |
| Lumens: | 1250lm (3000K); 1400lm (4000K); 1400lm (5700K) |
| Dimmable: | Yes |
| Other models available | 22087: 48-inch without light |
| Control | Remote 6-speed with reverse and windbreeze functions |
| Warranty | 3 year in-home plus 3 year replacement (6-Year) <i>*Limited warranty for wall controller, remote controller and light. Refer to warranty card inside the box for more details.</i> |



INSTALLATION

Must be installed by a licensed electrician

AIR MOVEMENT

| SPEED | 1 | 2 | 3 | 4 | 5 | 6 |
|---------|----------|----------|----------|----------|----------|-----------|
| RPM | 100 | 120 | 140 | 160 | 180 | 200 |
| Power | 4W | 6W | 9W | 12W | 19W | 30W |
| Airflow | 4200m³/h | 5300m³/h | 6400m³/h | 7500m³/h | 8600m³/h | 10100m³/h |



| | MODEL | COLOUR | DESCRIPTION | BOX SIZE | GROSS WEIGHT | BOX QTY | BARCODE/TUN |
|-------------------|----------|------------|-------------------------------|-----------------------|--------------|---------|---|
| RETAIL BOX | 22089/05 | Matt White | Preston-48 Hugger Fan & Light | W717 x H305 x D282 mm | 5.2 kg | 1 pc |  9 312641 220893 > |
| RETAIL BOX | 22089/06 | Matt Black | Preston-48 Hugger Fan & Light | W717 x H305 x D282 mm | 5.2 kg | 1 pc |  9 312641 220909 > |