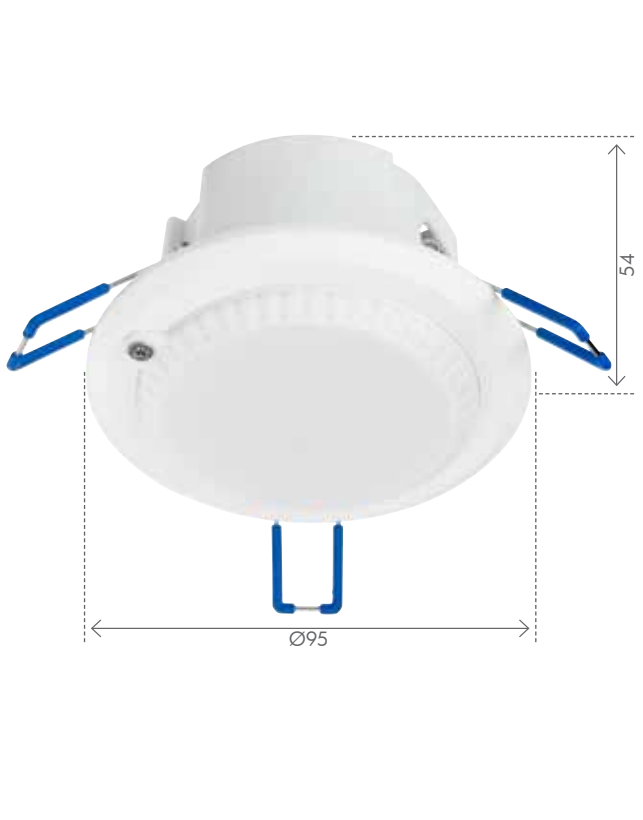


# DUO-SCAN MICROWAVE

360° RECESSED MICROWAVE SECURITY SENSOR



240V
Detection Scan: 360°
Detection Range: 10m
Adjustable Time on
Lux Setting

Two individual controls for lighting and exhaust fans  
Advanced microwave technology detecting slight motions.  
Automatically activated by motion  
Ceiling recessed mount  
Wide detection area, up to 10m in diameter.  
Motion can be detected through plastic, glass and thin non-metal materials  
Accurate adjustable time, lux level and detection area via DIP switches.  
Ideal for bathrooms.

HF system : 5.8GHz  
Lux control level : <3-2000LUX (adjustable)  
Detection distance : 10m @ 4m ceiling height (max)  
Time delay (light) : 5sec / 90sec / 3min / 10min  
Time delay (exhaust) : 5sec / 5min / 10min / 20min  
Max Load (light) : 400W Incandescent Lamp  
200W Fluorescent Lamp  
100W LED Lamp  
Max Load (exhaust) : 200W max  
2 Year Warranty.

Product	Code	Colours
Sensor	<b>20053/..</b>	<b>05</b> WHITE

# EYE 360° MICROWAVE

360° RECESSED MICROWAVE SECURITY SENSOR



240V
Detection Scan: 360°
Detection Range: 16m
Time on: 10s-12min
Lux Setting

Automatically activated by motion and light level.  
Ceiling recessed mount.  
Wide detection area, up to 16m in diameter.  
Motion can be detected through plastic, glass and thin non-metal materials.  
Adjustable time, lux level and detection area.  
Reliable 3-wire design.  
Indoor use only.

HF system : 5.8GHz  
Installation height : 1.5-3.5m  
Lux control level : 3-2000LUX (adjustable)  
Max Load : 1200W Incandescent Lamp  
300W Fluorscent Lamp  
150W LED Lamp  
2 Year Warranty.

Product	Code	Colours
Sensor	<b>20051/..</b>	<b>05</b> WHITE