

BROMIC SMART-HEAT™ WIRELESS CONTROLLER



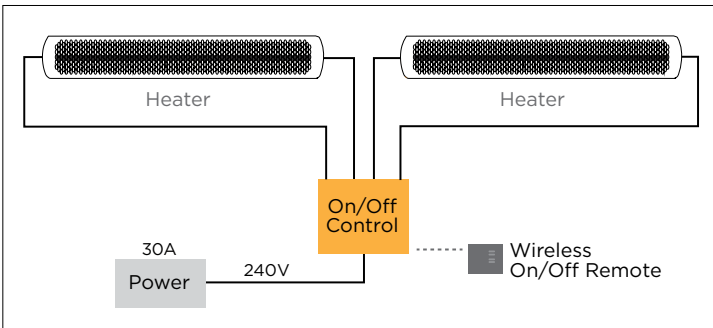
4-CHANNEL REMOTE*

Add control and convenience to your Smart-Heat™ Range

The Bromic Heating Wireless Controller has the ability to switch power supply to two separate outputs, enabling independent 'On/Off' control of two single-element heaters (2kW or 3kW), a single twin-element heater (4kw or 6kW) per unit, two gas heaters of your choice or up to four gas heaters controlled in groups of two.

The unit's 4-channel remote control transmitter is entirely portable but can be easily mounted with a double sided adhesive or with screw provisions within the case.

*All Bromic Heating remotes are able to control an infinite number of heaters within a 30m range.



HEATER TYPES	INSTALLATION OPTIONS	
Electric	Option 1:	1 x 6000W
	Option 2:	1 x 4000W
	Option 3:	2 x 3400W
	Option 4:	2 x 3000W
	Option 5:	2 x 2000W
Gas	Option 1:	1 x Gas Heaters per output
	Option 2:	2 x Gas Heater per output

SPECIFICATIONS	
Part Number	2620275-1
Power Supply	110/230VAC, 31A max
Max Output Power CHANNEL	3400W each relay @ 230VAC 1500W each relay @ 110VAC
Reception Frequency	916MHz
Operating Temperature Range	-20/+50°C
Maximum Remote Memorized	42 (84 heaters per controller)
Dimensions	205 x 145 x 85mm
Protection Class	IP54

