



# LUXOR CCT Changing LED Downlight

20203/05

Before first using your new LED Downlight, it is most important that you read and follow these instructions, even if you feel you are quite familiar with this type of product. Keep this document for future reference.

## RECOMMENDED TO BE INSTALLED BY A QUALIFIED ELECTRICAL CONTRACTOR

**For Your Safety, please read this instruction manual carefully before installation.**

- The installation must follow AS/NZS 3000 wiring rules and building codes.
- Ensure the power is OFF before the installation.
- When drilling into walls and ceilings, care must be taken to ensure you do not damage electrical wiring and other hidden utilities.
- This Downlight is dimmable. See “RECOMMENDED DIMMERS” on page 4 for more details.
- If you are not familiar with this type of fitting or unsure how to install it contact a licenced electrician for installation.

### Installation:

- Ensure the power is switched off.
- Ensure that there are no hidden cables or utilities in the ceiling or wall before cutting the hole in the plaster.
- Use a 70-93mm hole saw and carefully cut the hole in the plaster (FIG 1). Use appropriate personal protection equipment. Hole saws vary in the actual hole size they cut, so it is best to cut a hole in a scrap piece of plaster to check the fit.
- Ensure the LED driver is connected to the LED Downlight via male and female connectors (FIG 2).
- Select desired Colour Temperature (3000K, 4200K or 6500K) by toggling the switch on top of the downlight.
- Insert the plug, cord and LED driver into the ceiling and connect the plug to a suitable power socket (FIG 3).
- Push the side springs up against the body of the Downlight and gently locate the LED body through the hole and ensure it is flush against the ceiling (FIG 4).
- If the Downlight is abutted or covered with thermal insulation, please see “INSULATION RATING IC-4” section on next page for more details.
- Turn the power on.

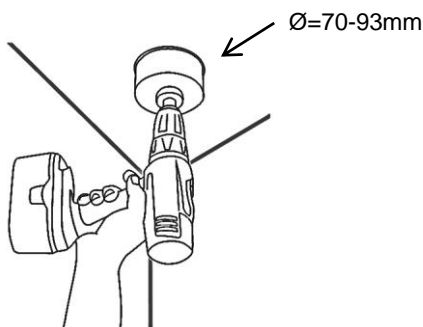


FIG 1

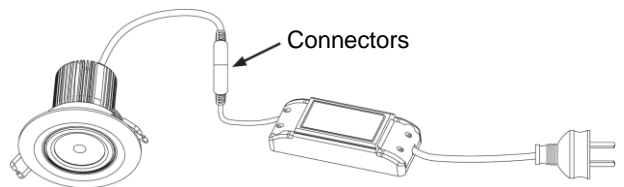


FIG 2

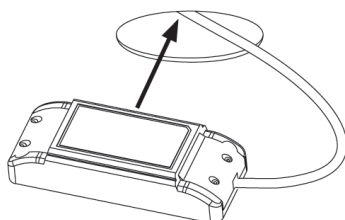


FIG 3

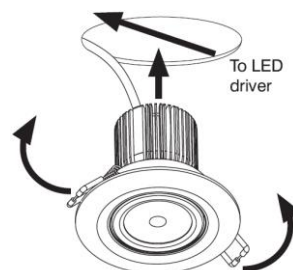


FIG 4



# LUXOR CCT Changing LED Downlight

20203/05

## SPECIFICATIONS:

**Fitting:** Aluminium downlight with thermoplastic external driver.

**Protection:** Class II (Driver), Class III (Downlight).

**Ingress Protection:** IP20 (For indoor use only)

**Ratings:** 220-240VAC, 50Hz, 10W

**Cut-out size :** Ø70-93mm

**Beam Angle:** 50 Degrees

**Light Source:** LED

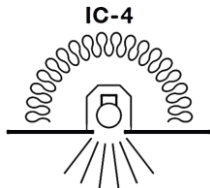
Warm White; 800lm, 3000K; CRI:84

Cool White; 900lm, 4200K; CRI:86

Daylight; 880lm, 6500K; CRI:81

## INSULATION RATING IC-4:

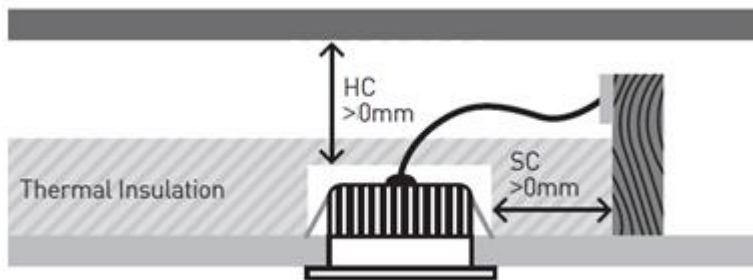
This Downlight has achieved an IC insulation rating in accordance with AS/NZS 60598.2.2.



**A TYPE IC-4 RECESSED LUMINAIRE CAN BE ABUTTED AGAINST NORMALLY FLAMMABLE MATERIALS, INCLUDING BUILDING INSULATION, AND CAN BE COVERED IN NORMAL USE.**

Loose-Fill insulation is not recommended to abut or cover the Downlight.

IC-4 rating is applicable to the downlight only. Driver must not be covered with thermal insulation.



DIMENSION	CLEARANCE
SC – Side clearance to thermal insulation and building element	0mm
HC – Height clearance to thermal insulation and building element	0mm

## CONSIDERATION:

Full insulation coverage of the Downlight will increase lumen depreciation resulting in a shorter life span than an open air installation.



# LUXOR CCT Changing LED Downlight

20203/05

## RECOMMENDED DIMMERS:

Brand	Model
BRILLIANT	18828/05 (BL350UP)*
BRILLIANT	18829/05 (BL350U)
CLIPSAL	4062E450UDM
CLIPSAL	32E450UD
CLIPSAL	32E450TM
CLIPSAL	32ELEDM
HPM	EM400A3P*
HPM	EM250T
CABAC	HNS630DT
LUMEX	LOADSMART
TRADER	MEDM

\*For programmable models;

- 1) It is best to enable kickstart
- 2) Minimum dimming level may need to be raised for best performance



# LUXOR CCT Changing LED Downlight

20203/05

## WARRANTY:

Brilliant Lighting warrants this product against defects in manufacture and workmanship for a period of 3 years from date of purchase. This warranty is only valid for products installed and operated within the guidelines specified by Brilliant Lighting, and within the correct operating voltage ranges as stated on the product's rating label.

Warranty does not include damage or loss arising from incorrect installation, operation or maintenance of this product, damage caused through modification, incorrect installation, service by unqualified or unauthorised personnel or lack of regular maintenance and cleaning. Proof of installation by qualified personnel may be required, e.g. Electrical Safety Certificate. Proof of purchase must be supplied with all warranty claims.

This warranty is provided in addition to any other rights and remedies of the customer under any law. In applications not intended for household, personal or domestic use, liability is limited to replacement or reimbursement of product only. Brilliant Lighting does not warranty the costs of removal or re-installation of this product or associated components.

*Our goods come with guarantees that cannot be excluded under the Australian Consumer Law. You are entitled to a replacement or refund for a major failure and compensation for any other reasonably foreseeable loss or damage. You are also entitled to have the goods repaired or replaced if goods fail to be of acceptable quality and the failure does not amount to a major failure.*

Any claim under this warranty must be made within the specified warranty period from date of purchase of this product. To make a claim under the warranty; at your own expense take the product (with proof of purchase – receipt or similar) to the store where you purchased the product or contact Brilliant Lighting at the address below  
This warranty is given by:

**Brilliant Lighting (Aust) Pty. Ltd.**  
**ABN 37 006 203 694**  
**956 Stud Road Rowville, VIC 3178**  
**Phone: 03 9765 2555**  
**Email: [info@brilliantlighting.com.au](mailto:info@brilliantlighting.com.au)**  
**[www.brilliantlighting.com.au](http://www.brilliantlighting.com.au)**  
**Made in China**