

Please read all instructions before commencing installation even if you are familiar with this type of products. The HORIZON 2L Heater with exhaust fan and LED light must be installed by qualified electrician.

**THIS FITTING MUST BE INSTALLED BY A QUALIFIED ELECTRICAL CONTRACTOR in accordance with the latest AS/NZS 3000 and relevant amendments**



### FOR YOUR SAFETY:

- To prevent electrical shock, please ensure that power is DISCONNECTED before installing.
- Be aware of the height of your installation. Refer to 'Working at Heights' guide from your local or State Authorities.
- This product must be used only as described in this manual. Any other use not recommended by the manufacturer may cause fire, electric shock, or injury to persons. If you have questions, contact the supplier or local agent.
- All wiring must be carried out by a licensed electrician in accordance with all applicable national / local codes and standards. Also check with the local council regulations regarding installation of exhaust fans.
- When cutting into the ceiling material, care must be taken to ensure you do not damage the existing ceiling structure, existing electrical wiring and other hidden utilities.
- The heater must be properly earthed/grounded.
- The lamps are extremely hot when in use. Do not touch the lamps with any part of your body when in use. Allow all lamps to cool sufficiently before touching or replacement.
- For the purpose of avoiding any fumes leaking into your bathroom, the duct for the heater must not be laid together with ducts for air-fuelled water heaters or other open-fire appliances.
- Power cable used for wiring must be appropriately rated . ( Preferred minimum 10A load).
- Any alterations or additions to building wiring must be completed by a licensed electrician or person authorised by legislation to work on the fixed wiring of any electrical installation
- The heat lamp is not suitable for continuous use for more than 30 minutes.  
Note: The LED light and the exhaust fan can be used continuously.

Keep this document handy for future reference.

## Introduction

Please read these instructions carefully prior to installation and operation. Care should be taken when installing to prevent damage to the unit.

## Before Installation

- A few minutes planning can make a big difference to the installation time and also to your satisfaction with the function of your product.
- Remove heat globes from the unit before installation to prevent breakages.
- Before commencing any cutting, check in the ceiling space that there are no obstructions such as ceiling joists (at least 50mm clearance) and that there is sufficient height clearance (at least 220mm) from the unit. Check if the electrical wiring can be routed from the wall switches to the mounting location.
- Ceiling insulation should be kept well clear away from the unit and all ducting equipment.
- The unit should not be installed directly above a shower or bathtub. Refer to the 'zones' in bathroom in AS/NZS 3000.
- The unit must not be installed where it will be subject to direct splashing.
- This product is designed for installation in flat ceilings only. Don't mount on a sloping ceiling or a vertical wall.
- The Infra-Red lamps are not designed to heat the entire room area, they provide instant heat to persons standing directly underneath them. Install your unit above the area where 'drying off' usually occurs.
- Your heater lamps are not designed for extended periods of operation, as this could cause overheating of the heater lamps and premature failure.
- For exhaust fan to work efficiently an equivalent volume of air must enter the room being extracted. Generally, air would be drawn under the door, or through a slightly open window. If the room is airtight, the fan will operate poorly.

## Installation

- 1) The recommended height of the installation is 2.4m. Before commencing installation remove the heat globes from the unit to prevent breakages. Before commencing cutting ensure that the area behind the intended location is clear of all cables, pipes and joists. Use the card provided as a template to mark the 'cut out hole' on the ceiling. The cut out hole size is 355mm x 200mm, ( Fig. 1) Once clear, cut out the section along the marked lines. The unit may be mounted either between joists using the inbuilt clip fasteners or against a joist using a screw through the flange plate.
- 2) Undo the front cover ( Fig.2) by detaching the 4 x springs.
- 3) Remove the terminal cover on the rear of the base and connect wires as per wiring diagram on Fig. 7 and wiring instructions. Replace the cover.
- 4) Note : Connect ducting (if required) after the unit is installed in the ceiling.
- 5) Gently insert the unit into the cut out hole ensuring to move the side mounting clips inwards so that the body can pass through the hole without damaging the plasterboard. Tighten the screws for the clips ensuring that the unit is held securely in place by 4 x clips. Additional screws can be applied around the metal flange plate to hold the unit to the ceiling. (Fig.3)
- 6) Hold the fascia against the body of the unit and the ceiling then reattach the securing spring clips to hold the fascia back in place. (Fig.4).
- 7) Screw the two large heat lamps into the E27 lampholders. Ensure connection is firm do not over tighten. (Fig.5)
- 8) Attach ducting if required ( Fig.6) to extract the air to the outer wall using 1.5 long flexible ducting, cable ties and vent outlet grill provided. Fix and tighten the cable ties firmly to hold the flexible duct to the unit and the outer wall vent.  
NOTE: Ensure that the flexible duct, when connected to the unit doesn't obstruct or block the anti-draft stopper, as it would reduce the overall airflow.
- 9) Check that all connections are secure.
- 10) Turn the power ON.
- 11) You can operate the unit using the wall switch.

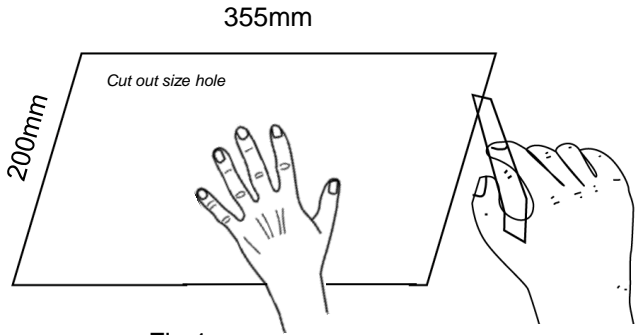


Fig.1

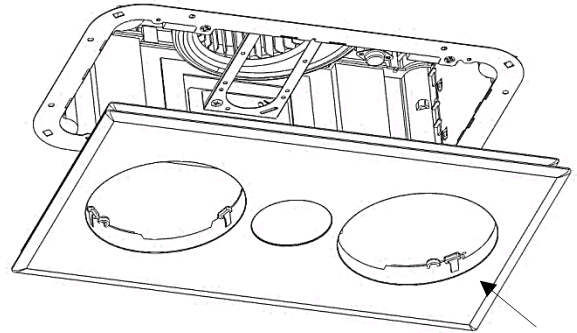


Fig.2

Undo front fascia (cover)

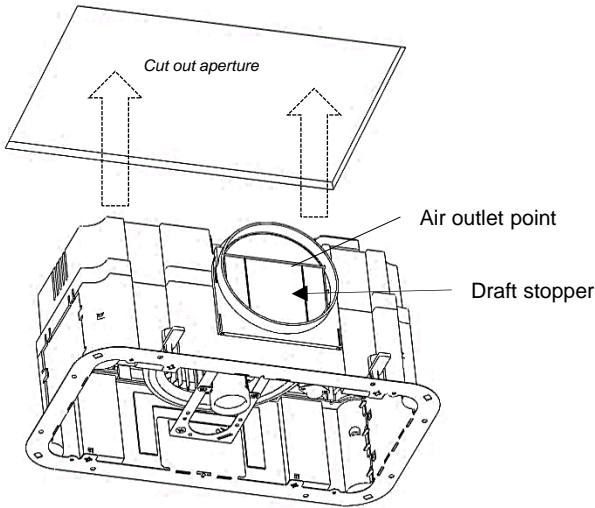


Fig.3

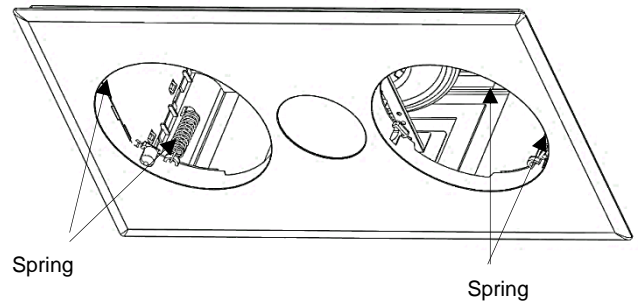


Fig.4

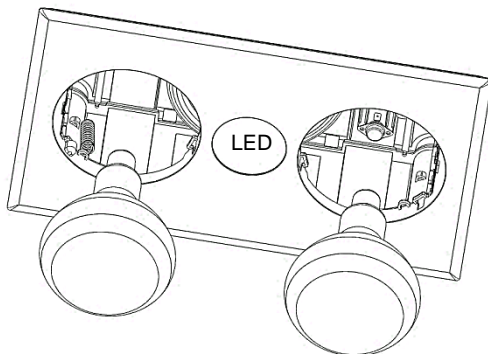


Fig.5

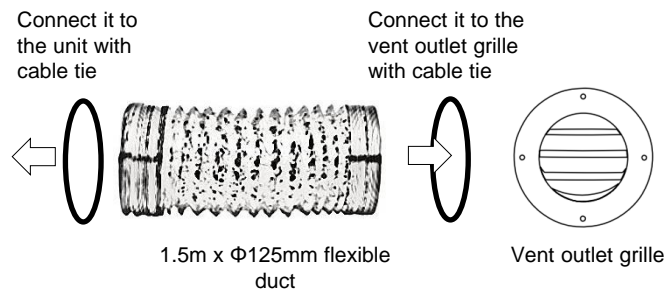


Fig.6

### Electrical wiring diagram

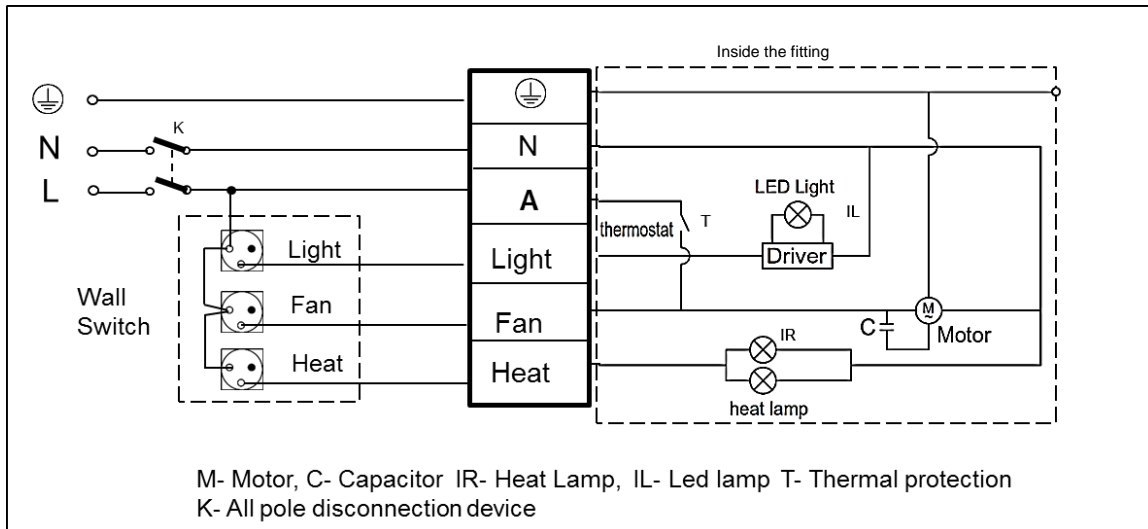


Figure 7.

The wiring diagram is shown on Figure 7.

The unit requires 'permanent active'. The fitting is fitted with a thermostat which will turn the motor ( FAN) 'ON' when the temperature exceeds 80C.

- 1) Double pole disconnecting device (K) must be fitted in the circuit.
- 2) Ensure the power is switched "OFF" at the mains before commencing installation.
- 3) Remove the cover on the back of the enclosure to access the terminals.
- 4) Connect wires as per electrical wiring diagram above. Ensure connections are firm and secure.
- 5) Replace the cover removed earlier.

Note: Red warning label must be permanently displayed on the cover of the unit  
**WARNING: Permanent Active! Isolate at main switchboard before removing cover.**

### Operation

Your Brilliant Horizon Heater lamp uses Infrared heating lamps as a heat source. It also has an exhaust fan and an LED light.

- **Heating: Switch** the 'Heat' button 'ON' on the wall switch. The heat globes provide instantaneous heat from the moment they are switched 'ON'.
- **Exhaust Fan:** Use the switch button 'Fan' to turn it ON and Off.
- **CCT LED Light:** Operate the LED light independently from heat globes, using 'Light' On /Off switch button.
- **Change LED Light Colour Temperature:** The colour temperature of CCT LED can be changed between 3000K, 4200K and 6000K. To change colour temperature, switch ON the light first, then switch the light '**OFF - ON - OFF - ON**' within 3 seconds

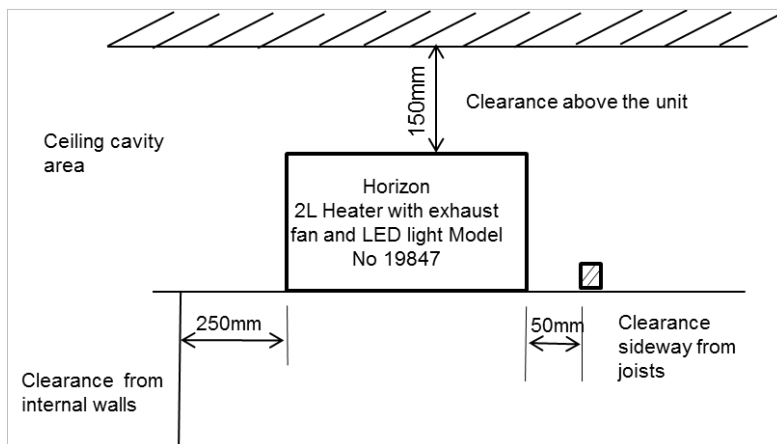
### Cleaning

- Switch off the power before commencing cleaning and wait until the globes cool down.
- Regularly wipe globes and front fascia with soft cloth soaked with water or neutral detergent if required.
- Clean the exhaust fan from dust and dirt with dry or wet cloth if required.
- Clean the exhaust ducting kit and ensure airways are clean and there are no obstructions at the exit from the wall.

### Specifications

<b>Model No</b>	19847/05 -White and 19847/11- Silver
<b>Fascia colour</b>	/05- White ; /11- Silver
<b>Voltage and power</b>	230V or 240V AC 50Hz 633W Max.
<b>Heat Lamps</b>	2 x 275W , 240V AC, R125, E27
<b>Motor</b>	75W
<b>CCT LED</b>	3000K, 900lm; 4200K, 1050lm; 6000K, 1000lm; 9W, Non dimmable
<b>Air Movement</b>	<300m <sup>3</sup> /h (at exit point from the unit)
<b>Cut out hole size</b>	355mm x 200mm
<b>Dimensions</b>	Length 419mm x Width 244mm x Depth 210mm
<b>Accessories</b>	Aluminium duct Φ125mm by 1.5m with fixing clamps and vent outlet grille- included
<b>Switch</b>	3-way gang switch, SAA approved- included
<b>Noise</b>	45 dB
<b>IP rating</b>	IP X2 ; IPX4 LED globe only
<b>PTC</b>	80C
<b>Weight</b>	3kg
<b>Installation in bathrooms</b>	Suitable for Installation in Zone 2 and Zone 3 in bathrooms as per AS/NZS 3000. NOTE: Not suitable for installation in Zone 1 and Zone 0.

### Minimal clearance distances:





# HORIZON Model No.: 19847

## 2Light Heater with Exhaust fan and LED light

### Warranty:

Brilliant Lighting warrants this product against defects in manufacture and workmanship for a period of 3 years from date of purchase. For products used in non-domestic or commercial applications, Brilliant Lighting warrants this product for a period of 3 months from date of purchase. This warranty is only valid for products installed by a qualified electrical contractor and operated within the guidelines specified by Brilliant Lighting, and within the correct operating voltage ranges as stated on the product's rating label.

Warranty does not include damage or loss arising from incorrect installation, operation or maintenance of this product, damage caused through modification, incorrect installation, service by unqualified or unauthorised personnel or lack of regular maintenance and cleaning. Proof of installation by qualified personnel may be required, eg. Electrical Safety Certificate. Proof of purchase must be supplied with all warranty claims.

This warranty is provided in addition to any other rights and remedies of the customer under any law. In applications not intended for household, personal or domestic use, liability is limited to replacement or reimbursement of product only.

Our goods come with guarantees that cannot be excluded under the Australian Consumer Law. You are entitled to a replacement or refund for a major failure and compensation for any other reasonably foreseeable loss or damage. You are also entitled to have the goods repaired or replaced if goods fail to be of acceptable quality and the failure does not amount to a major failure.

Any claim under this warranty must be made within the specified warranty period from date of purchase of this product. To make a claim under the warranty, take the product (with proof of purchase – receipt or similar) to the store where you purchased the product or contact Brilliant Lighting at the address below.

This warranty is given by:

**Brilliant Lighting (Aust)Pty. Ltd.**

**ABN 37 006 203 694**

**956 Stud Road Rowville, VIC 3178**

**Phone: 03 9765 2555**

**Email: [info@brilliantlighting.com.au](mailto:info@brilliantlighting.com.au)**

**MADE IN CHINA**